



## INGECON SUN 110TL M9

Installation and Operation Manual

Manual de instalación y uso

Manuel d'installation et usage

Manuale d'installazione e uso

Manual de instalação e uso

EN

ES

FR

IT

PT

The copy, distribution or use of this document or of its content requires written authorisation. Any breach thereof will be reported for damages. All rights reserved including those of patent rights or design registration.

The conformity of the document content with the hardware described has been checked. However, discrepancies may exist. Liability will not be assumed for total concordance. The information contained in this document is regularly reviewed and it is possible that there may be changes in subsequent editions. Other functions may be available which are not covered by this document.

This document may be changed.

---

La copia, circulación o uso de este documento o de su contenido requiere un permiso por escrito. Su incumplimiento será denunciado por daños y perjuicios. Todos los derechos están reservados, incluyendo aquellos que resulten de derechos de patentes o registro del diseño.

La correspondencia del contenido del documento con el hardware ha sido comprobada. Sin embargo, pueden existir discrepancias. No se asume ninguna responsabilidad por la concordancia total. La información que contiene este documento es revisada regularmente y es posible que se produzcan cambios en siguientes ediciones.

El presente documento es susceptible de ser modificado.

---

La copie, distribution ou utilisation de ce document ou de son contenu requiert une autorisation écrite. Toute personne ne respectant pas cette condition sera passible de poursuites. Tous les droits sont réservés, y compris ceux qui découlent des droits de brevets ou d'enregistrement des conceptions.

La correspondance entre le contenu du document et le matériel a été vérifiée. Il peut toutefois exister des divergences. Aucune responsabilité de concordance totale n'est assumée. Les informations contenues dans ce document sont régulièrement révisées et il est possible que des changements surviennent dans les éditions à venir.

Le présent document est susceptible d'être modifié.

---

Per copiare, condividere o utilizzare il presente documento o il suo contenuto è necessaria un'autorizzazione scritta. Il mancato rispetto di quest'obbligo sarà perseguito. Tutti i diritti sono riservati, compresi quelli risultanti da diritti di brevetti o dalla registrazione del progetto.

La corrispondenza del contenuto del presente documento con l'hardware è stata verificata, tuttavia, possono sussistere discrepanze. Si declina ogni responsabilità relativamente alla concordanza totale. Le informazioni contenute in questo documento sono regolarmente sottoposte a revisione ed è possibile che siano inserite delle modifiche nelle prossime edizioni.

Questo documento può essere soggetto a modifiche.

---

A cópia, circulação ou utilização deste documento ou do respectivo conteúdo requer uma autorização por escrito. O seu incumprimento será denunciado por danos e prejuízos. Todos os direitos estão reservados, incluindo aqueles que resultem de direitos de patentes ou do registo do design.

A conformidade do conteúdo do documento com o hardware foi verificada. No entanto, podem existir discrepâncias. Não se assume qualquer responsabilidade pela concordância total. As informações contidas neste documento são revistas regularmente e é possível que se verifiquem alterações nas próximas edições.

O presente documento é susceptível de ser alterado.

Installation and Operation Manual

Manual de instalación y uso

Manuel d'installation et usage

Manuel d'installation et usage

Manual de instalação e uso

EN

ES

FR

IT

PT

# Important safety instructions

This section describes the safety warnings and the personal protective equipment and symbols used in the unit.

## Safety conditions

### General warnings

#### DANGER

Opening the enclosure does not imply there is no voltage inside.

The risk of electric shock exists even after disconnecting from the grid, the PV array and the auxiliary supply.

Only qualified personnel may open it, following the instructions in this manual.

Access to the interior of the inverter via any other point that is not the AC compartment is strictly forbidden. Always gain access when the unit is voltage-free.

#### CAUTION

The operations described in the manual may be performed only by qualified personnel.

The status of qualified personnel referred to in this manual will be, as a minimum, that which meets all the standards, regulations and laws regarding safety applicable to the tasks of installing and operating this unit.

The responsibility for designating qualified personnel will always fall to the company to which the personnel belong. It is necessary to decide which workers are suitable or not for carrying out specific work to preserve their safety at the same time as complying with occupational safety legislation.

These companies are responsible for providing appropriate training in electrical equipment to their personnel and for familiarizing them with the contents of this manual.

All applicable safety-related legislation for electrical work must be complied with. Danger of electric shock.

Compliance with the safety instructions set out in this manual or in the suggested legislation does not imply exemption from other specific standards for the installation, place, country or other circumstances that affect the inverter.

You must consider the set of conditions listed throughout this document as minimum requirements. It is always preferable to shut off the main power supply. There may be faults in the installation that cause the unwanted return of voltage. Danger of electric shock.

According to basic safety standards, the complete unit must be suitable to protect exposed workers against the risk of direct and indirect contact. In any case the electrical parts of the work equipment must comply with the provisions of the corresponding specific regulations.

According to basic safety standards, the electrical installation shall not entail a fire or explosion risk. Workers must be duly protected against the risk of accidents caused by direct or indirect contact. The electrical installation and protection devices must take into account the voltage, the external conditions and the competence of persons who have access to parts of the installation.

To check the absence of voltage, it is compulsory to use category III measurement devices and a voltage higher than the maximum voltage of the photovoltaic array.

#### INFO

These instructions must be easily accessible close to the unit and located within reach of all users.

Before installation and start-up, please read these safety instructions and warnings carefully as well as all the warning notices located on the unit. Ensure that all the warnings signs are perfectly legible and that those which are damaged or have disappeared are restored.

Protection against direct contact is by means of the enclosure.

The unit has been tested according to the applicable regulations to comply with the safety requirements, the values for insulation clearances and leakage paths for the voltages used.

**Potential hazards for people**** DANGER**

Electric shock.

The equipment may remain charged after disconnecting the PV array, grid power and auxiliary power.

Carefully follow the mandatory steps in the manual for removing the voltage.

Explosion.

There is a very low risk of explosion in very specific cases of malfunction.

The casing will protect people and property from the explosion only if it is correctly closed.

Crushing and joint injuries.

Always follow the indications in the manual on moving and placing the unit.

The weight of this unit can cause serious injury and even death if not handled correctly.

High temperature.

The flow of outlet air can reach high temperatures which can cause injury to anybody exposed to it.

**Potential hazards for the equipment**** DANGER**

Cooling.

The unit requires particle-free air flow while it is operating.

Keeping the unit in the upright position and the inlets free of obstacles is essential for this air flow to reach the inside.

Do not touch boards or electronic components. The more sensitive components can be damaged or destroyed by static electricity.

Do not disconnect or connect any terminal while the unit is operating. Disconnect and check for absence of voltage first.

With the aim of avoiding premature wear of the screwed joints on the unit's housing panels, removal and installation of the screws must be done manually.

EN

ES

FR

IT

PT

## Personal Protective Equipment (PPE)

When working on the unit, use the following safety equipment recommended by Ingeteam as a minimum.

Name	Description
Safety footwear	In compliance with standard <i>UNE-EN-ISO 20345:2012</i>
Helmet with face shield	In compliance with Standard <i>UNE-EN 397:1995</i> , wherever there are directly accessible live parts.
Working clothes	Close-fitting, non-flammable, 100% cotton
Dielectric gloves	In compliance with standard <i>EN 60903:2005</i>

Tools and / or equipment used in live work must have at least Category III insulation and a voltage higher than the maximum voltage of the photovoltaic array.

Should the country's regulations demand another kind of personal protection, you should appropriately supplement the equipment recommended by Ingeteam.

# Contents

Important safety instructions .....	4
Safety conditions.....	4
Personal Protective Equipment (PPE) .....	6
Contents .....	7
1. About this manual.....	9
1.1. Recipients.....	9
1.2. Symbols.....	9
2. Unit description.....	10
2.1. Overview .....	10
2.2. Communications equipped as standard .....	11
2.3. Electrical safety .....	11
2.3.1. Overvoltage category (OVC) .....	11
2.4. Pollution degree.....	11
2.5. Acoustic contamination .....	11
2.6. Electrical diagram of the system.....	12
2.7. Specification table .....	13
2.8. Description of cable inlets .....	14
3. Receipt of the unit and storage.....	15
3.1. Reception .....	15
3.2. Unit identification.....	15
3.3. Transport damage .....	15
3.4. Storage .....	15
3.5. Conservation.....	15
4. Equipment transport .....	16
4.1. Transport.....	16
5. Preparation for installing the unit .....	17
5.1. Environment.....	17
5.2. Environmental conditions .....	18
5.3. Supporting Surface and Fastening .....	19
5.4. Protection of the connection to the electricity grid .....	19
5.5. Type of grid .....	19
5.6. Cabling length .....	19
5.7. Photovoltaic panels.....	19
5.8. External disconnection device .....	19
6. Installing the unit .....	20
6.1. General requirements for installation .....	20
6.2. Attaching the unit to the wall.....	20
6.3. Opening and closing the housing.....	23
7. External ground protection connection .....	24
7.1. Safety instructions for the connection of the external ground protection .....	24
7.2. Wiring requirements for the connection of the external ground protection .....	24
7.3. External ground protection connection procedure.....	25
8. Connection of communications.....	26
8.1. Safety instructions for the communications connection.....	26
8.2. Ethernet communication connection.....	26
8.2.1. Cabling requirements .....	26
8.2.2. Connection process.....	26
8.3. Connection via Wi-Fi .....	28
8.4. Communication connection for port COM4 .....	28
8.4.1. Cabling requirements .....	29
8.4.2. Connection process.....	29
9. AC connection .....	33
9.1. Safety instructions for the AC connection .....	33
9.2. Wiring requirements for the AC connection .....	33

EN

ES

FR

IT

PT

- 9.3. Terminal requirements for the AC connection..... 34
- 9.4. AC connection process ..... 34
- 10. DC connection ..... 36
  - 10.1. Safety instructions for the DC connection..... 36
  - 10.2. Wiring requirements for the DC connection..... 36
  - 10.3. DC connection process ..... 36
- 11. First connection to the electricity grid ..... 40
  - 11.1. Unit inspection..... 40
    - 11.1.1. Inspection..... 40
    - 11.1.2. Hermetic sealing of the unit ..... 40
  - 11.2. Initial connection and configuration ..... 40
  - 11.3. Connecting to the electricity grid ..... 41
- 12. Using the unit ..... 42
  - 12.1. Inverter management through the web application ..... 42
  - 12.2. Connecting to the inverter locally through its Wi-Fi network..... 42
  - 12.3. Connecting the inverter to a Wi-Fi network ..... 42
  - 12.4. Connecting to the inverter remotely ..... 43
  - 12.5. Changing the IP settings of a Wi-Fi network..... 43
  - 12.6. Changing the IP settings of an Ethernet network ..... 43
  - 12.7. Register the inverter in INGECON SUN Monitor ..... 44
  - 12.8. Updating the inverter firmware ..... 44
- 13. Inverter states and alarms ..... 45
  - 13.1. Inverter states (lighting on front dial) ..... 45
  - 13.2. Inverter communication states (lighting on communications dongle) ..... 45
  - 13.3. Alarms..... 45
- 14. Shutting down the unit ..... 46
- 15. Maintenance ..... 47
  - 15.1. Safety conditions ..... 47
  - 15.2. Condition of the housing..... 47
  - 15.3. Condition of cables and terminals..... 47
- 16. Waste handling ..... 48



# 1. About this manual

The purpose of this manual is to describe the inverter INGECON SUN 110TL M9 and to provide appropriate information for its correct reception, installation, start-up, maintenance and operation.

## 1.1. Recipients

This document is intended for qualified personnel.

The status of qualified personnel referred to in this manual will be, as a minimum, that which meets all the standards, regulations and laws regarding safety applicable to the tasks of installing and operating this unit.

The responsibility for designating qualified personnel will always fall to the company to which the personnel belong. It is necessary to decide which workers are suitable or not for carrying out specific work to preserve their safety at the same time as complying with occupational safety legislation.

These companies are responsible for providing appropriate training in electrical equipment to their personnel and for familiarizing them with the contents of this manual.

## 1.2. Symbols

Throughout this manual we include warnings to highlight certain information. Relative to the nature of the text, there are three types of warnings:



This indicates a hazard to personnel or the inverter.



Indicates importance.



Additional information or references to other parts of the document or documents.

EN

ES

FR

IT

PT

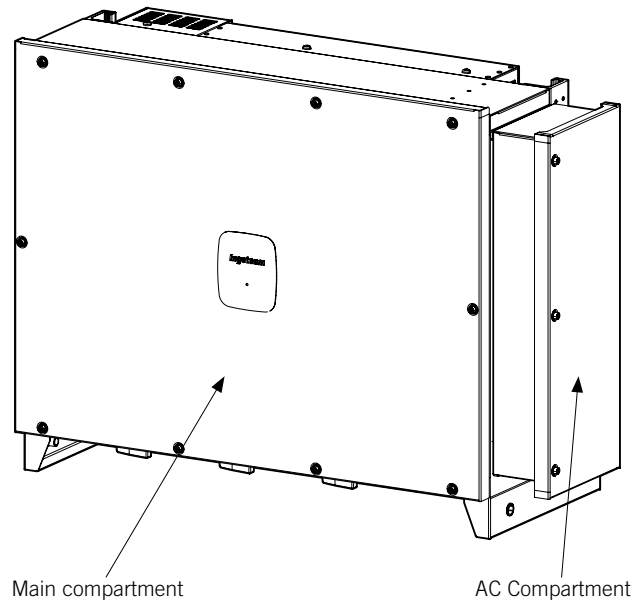
## 2. Unit description

### 2.1. Overview

The basic purpose of this inverter is to convert the direct current generated by up to nine photovoltaic arrays into alternating current to feed into the electricity grid.

Additionally, its purpose is to find the maximum power points of these photovoltaic arrays and comply with the minimum requirements for the different electricity grid support regulations.

These inverters have two distinct parts: the main compartment and the AC compartment.



**CAUTION**

All the tasks required for the correct use and maintenance of the inverter are carried out in the AC compartment.

The main compartment must not be opened under any circumstances. If it is opened the warranty will be voided.

These inverters do not have a transformer for the connection of PV arrays isolated from the electricity grid.

Some of the main characteristics of these inverters:

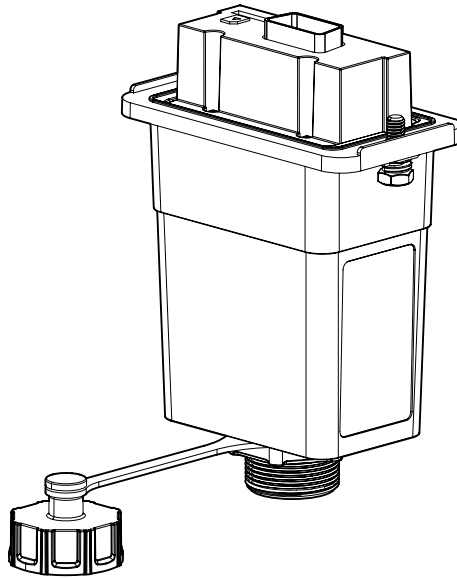
- Measurement of MPPT input currents.
- DC switch.
- Type-2 AC and DC surge arresters.

They have the following maximum power point trackers at the DC input. The connection uses quick connectors.

DC inputs	IS 110TL M9
No. of maximum power point trackers	9
No of pairs of quick connectors	18

## 2.2. Communications equipped as standard

These inverters have a dongle for communication via Ethernet or Wi-Fi. It is connected to the inverter at the *COM1* port.



## 2.3. Electrical safety

The design values for electrical safety can be found below.

### 2.3.1. Overvoltage category (OVC)

These units comply with the standards *IEC 62109-1* and *IEC 62109-2*.

The AC circuit has been designed with overvoltage category II (OVC II). The DC circuit has been designed with overvoltage category I (OVC I).

## 2.4. Pollution degree

The units comply with pollution degree 3, as required for this type of inverter.

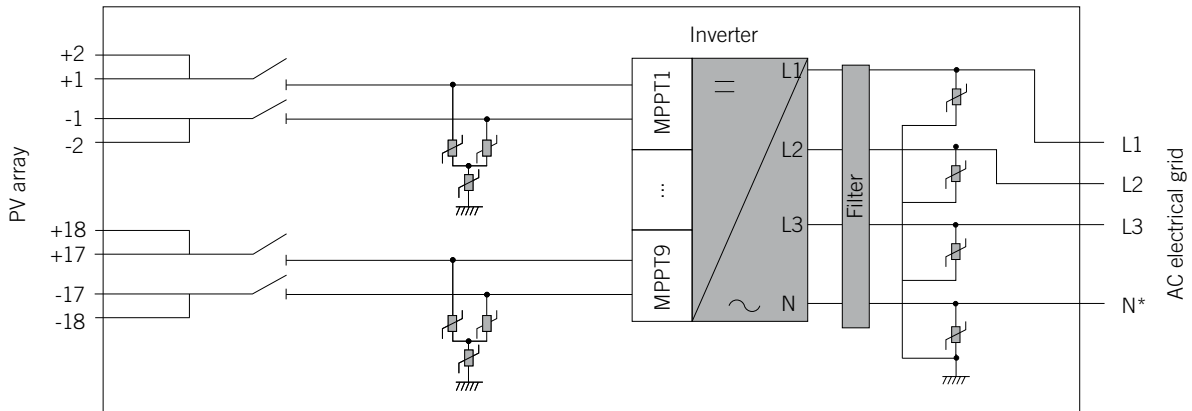
## 2.5. Acoustic contamination

The unit produces a buzz when in operation. Do not place it in an occupied room, or on light supports which might amplify this buzz. The mounting surface must be firm and appropriate for the weight of the unit.

## 2.6. Electrical diagram of the system

**INFO**

These units use the neutral terminal only for measurement purposes, and it is possible to work without the neutral cable, stay connected to grid and inject power from the PV array. However, there are regulations that require monitoring the grid phase voltage, either during normal operation or during the grid transients. In this case failure to include the neutral cable may imply a non-compliance with the requirements of said regulation.



\* optional

## 2.7. Specification table

110TL M9	
<b>DC inputs</b>	
Recommended power range of the photovoltaic module	113.3 ~ 165 kWp
MPPT voltage range	200 ~ 1000 V
Maximum voltage	1100 V
Nominal input voltage	600 V
Start-up voltage / Min. operating voltage	250 V / 200 V
Maximum short circuit current	3*50 A + 6*45 A
Maximum current	3*40 A + 6*32 A
Inputs with photovoltaic connectors	18 (9*2)
MPPT number	9
<b>AC output</b>	
Rated power	110 kW
Apparent maximum power <sup>(1)</sup>	123 kVA
Maximum active power (PF=1) <sup>(1)</sup>	121 kW
Maximum output current	187 A
Rated voltage	400 V
Voltage range <sup>(2)</sup>	322 V ~ 520 V (adjustable)
Frequency	50 / 60 Hz
Type of grid	TT, TN, IT
Adjustable power factor	Yes. 0 ~ 1 (forward / return)
<b>Efficiency</b>	
Maximum efficiency	98.2 %
Euroefficiency	97.8 %
<b>General information</b>	
Cooling system	Forced ventilation
Night consumption	<10W
Operating temperature	-25 °C ~ 60 °C
Relative humidity (without condensation)	0 ~ 100%
Protection class	IP66
Markings	CE
Acoustic emissions	< 65 dB
Maximum altitude of the installation	4000 m
Weight	92 kg
Dimensions (height x width x depth)	678 x 936 x 365 mm
Safety and electromagnetic compatibility regulations	EN 61000-6-2, EN 61000-6-4, EN 62109-1, EN 62109-2
Grid connection regulations	IEC 61727:2004, IEC 62116:2014, EN 50549-1:2019, EN 50549-2:2019, UNE 217002:2020, UNE 217001:2020, NTS SEPE 2.1 type B, CEI 0-21 v1 November 2022 (including Allegato B), CEI 0-16 v1 November 2022 (including Allegato N), VDE-AR-N 4105:2018

<sup>(1)</sup> In Spain, in accordance with Spanish law, the maximum active power is the same as the nominal power. <sup>(2)</sup> The voltage range and output frequency may vary depending on the different grid codes.

EN

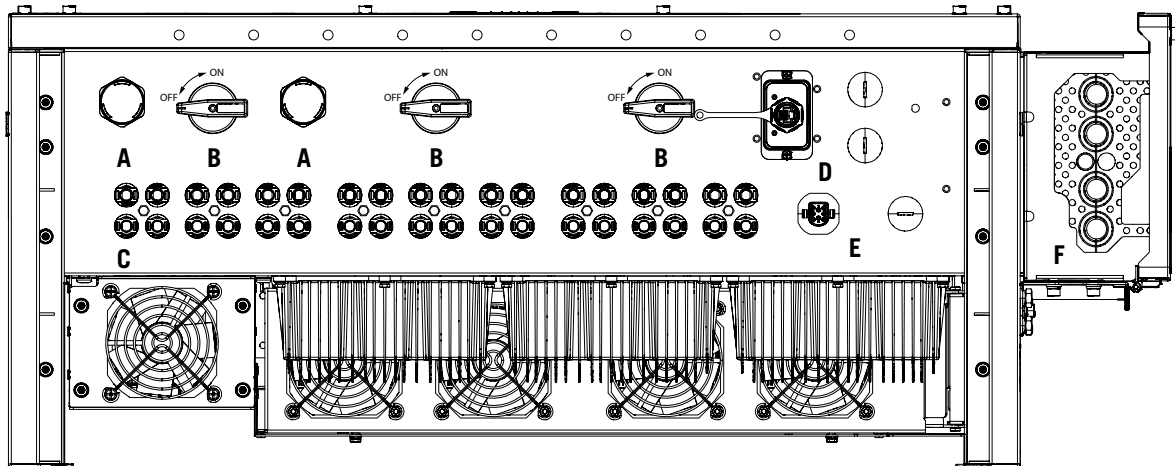
ES

FR

IT

PT

## 2.8. Description of cable inlets



- A. Anti-condensation valves
- B. DC switches
- C. DC quick connectors

- D. COM1 for communications dongle (Ethernet/ Wi-Fi)
- E. COM4
- F. AC wiring

## 3. Receipt of the unit and storage

### 3.1. Reception

Keep the unit in its packaging until immediately before installation.

### 3.2. Unit identification

The serial number of the unit is its unique identifier. You must quote this number in any communication with Ingeteam.

The unit's serial number is marked on the specifications plate.

### 3.3. Transport damage

If the unit has been damaged during transport, proceed as follows:

1. Do not proceed with the installation.
2. Notify the distributor immediately within five days of receipt of the unit.

If ultimately the unit has to be returned to the manufacturer, the original packaging must be used.

### 3.4. Storage

#### CAUTION

Failure to follow the instructions in this section may lead to damage to the unit.

Ingeteam accepts no liability for damage resulting from the failure to follow these instructions.

If the unit is not installed immediately after reception, the following points should be taken into account in order to avoid damage:

- The unit must be stored upright in the original packaging. Stacking is not permitted.
- Keep the unit free of dirt (dust, shavings, grease, etc.) and away from rodents.
- Keep it away from water splashes, welding sparks, etc.
- Cover the unit with a breathable protective material in order to prevent condensation due to ambient humidity.
- Units in storage must not be subjected to weather conditions other than those indicated in section [“2.7. Specification table”](#).
- It is very important to protect the unit from chemical products which can cause corrosion, as well as from salty atmospheres.
- Do not store the unit outdoors.

### 3.5. Conservation

In order to permit correct conservation of the units, they must not be removed from their original packaging until it is time to install them.

In case of prolonged storage, use dry places, avoiding, as far as possible, sharp changes in temperature.

Deterioration of the packaging (tears, holes, etc.) prevents the units from being kept in optimum conditions before installation. Ingeteam accepts no liability in the case of failing to observe this condition.

EN

ES

FR

IT

PT

## 4. Equipment transport

The unit must be transported in the upright position, protecting it during transport from mechanical knocks, vibrations, water splashes (rain) and any other product or situation which may damage it or alter its behavior. Failure to observe these instructions may lead to loss of warranty on the product, for which Ingeteam is not responsible.

### 4.1. Transport

#### **Transport using a forklift or pallet truck**

At least the following requirements should be observed:

1. Place the packaged units centered with respect to the forks.
2. Try to locate them as close as possible to the part where the forks and the steering unit meet.
3. Ensure that the forks are perfectly level to avoid overturning the unit.
4. In all cases, observe the instructions in the forklift or pallet truck user manual.

Once the unit has been transported to the place where it is to be located and only when it is to be installed, unpack the unit.

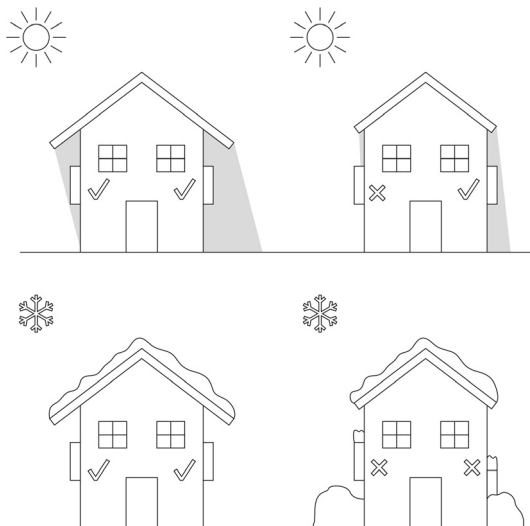


## 5. Preparation for installing the unit

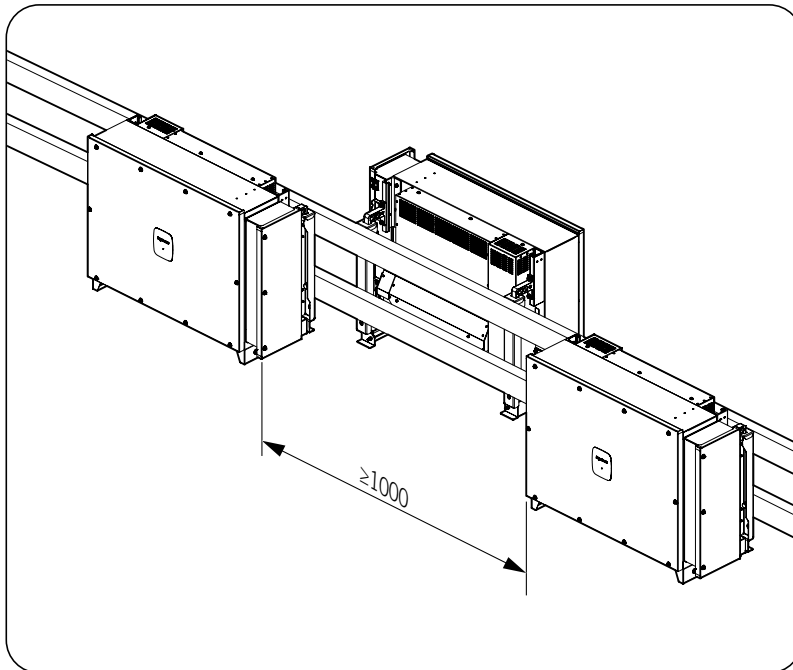
When deciding the location of the unit and planning your installation, you must follow a set of guidelines based on the specifications of the unit. These guidelines are summarized in this chapter.

### 5.1. Environment

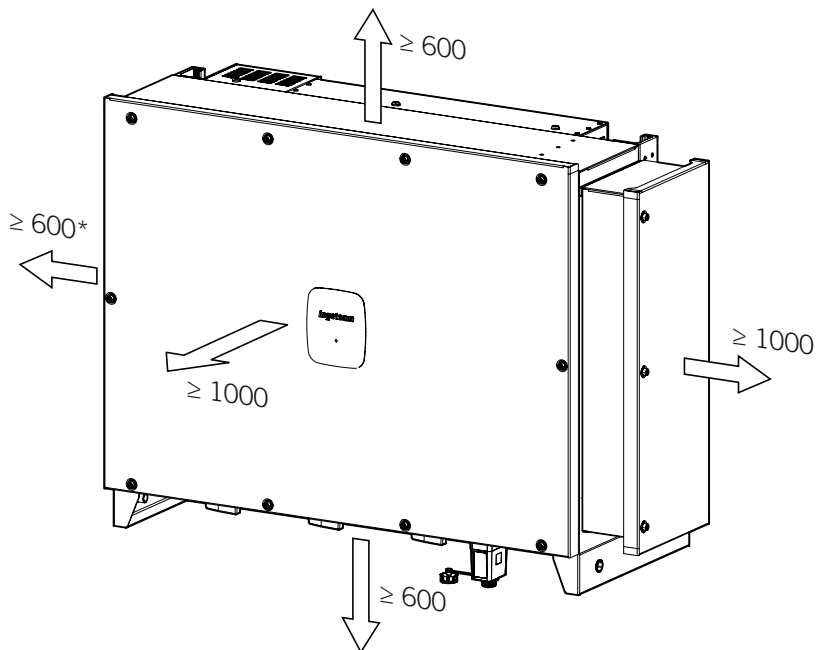
- These units can be installed indoors and outdoors.
- Situate the units in a place that is accessible for installation and maintenance work and which allows access to the control panel.
- Avoid corrosive environments that may affect the proper operation of the inverter.
- Do not leave objects on top of the unit or its sides, as they may block the ventilation and cause high temperatures.
- Do not expose the inverters to direct sunlight.
- Do not install the units in inhabited rooms, due to the noise produced during operation.
- If they are installed inside a closed space (room, hut, etc.), provide adequate ventilation. The operating range of the units depends on the environmental temperature, therefore a lack of ventilation may limit their capacity.



- If more than one inverter is installed, make sure the hot air extraction of one does not interfere with the correct ventilation of another. It is necessary to leave a lateral separation between them of at least 1000 mm.



- Keep the following minimum distances free of obstacles.



\* If several inverters are mounted adjacent to each other, the minimum distance between them must be 1000 mm.

## 5.2. Environmental conditions

Environmental operating conditions indicated in section [“2.7. Specification table”](#) must be taken into account when choosing the location of the unit.

It should be borne in mind that moderate condensation may occasionally occur as a consequence of temperature variations. For this reason, apart from the unit's own protection, it is necessary to monitor these units once they have been started up on sites where the conditions described above are not expected to be present.

In the event of condensation, never apply voltage to the unit.

### 5.3. Supporting Surface and Fastening

These inverters should be installed vertically.

A wall or solid structure should be reserved to anchor the unit. It should be possible to drill into the wall and attach fastening elements able to bear the weight of the unit.

### 5.4. Protection of the connection to the electricity grid

It is necessary to install protection elements in the connection between the inverter and the electricity grid.

#### Thermomagnetic circuit breaker

A thermomagnetic circuit breaker and/or fuse must be installed on the connection between the inverter and the electricity grid.

The following table provides the necessary data for the selection of these devices by the installer.

Maximum inverter current	Thermomagnetic circuit breaker rated current
187 A	250 A

When selecting the protection in an installation you must take into account that its breaking capacity is greater than the short-circuit current of the grid connection point.

You must take into account when correctly selecting the protection that the ambient working temperature influences the maximum current permitted by these protections as indicated by the manufacturer.

#### Residual current device

If the applicable regulations of the country where the unit is installed require a residual current device between the inverter and the electricity grid, this must be greater than 1230 mA.

### 5.5. Type of grid

These units can be connected to type IT, TT and TN three-phase grids.

### 5.6. Cabling length

The inverter measures the voltage in its connection terminals. For this reason, the installer must use an AC cable with a sufficiently low impedance so that increasing the voltage in the cable (between the distribution transformers and the unit) does not cause the unit to be disconnected due to high voltage.

### 5.7. Photovoltaic panels

The photovoltaic panels of the installation must be Class A (*IEC 61730*). These units do not allow photovoltaic panel grounding, therefore the positive and negative pole of the PV array must not be connected to ground. Otherwise the inverter will give an insulation fault.

However, the metal structure to which the photovoltaic panels are attached and/or the metal frame of the panel can be connected to ground.

### 5.8. External disconnection device

The DC and AC supply must be shut off for equipment inspection work. To do this, the installer must fit an external disconnection device.

## 6. Installing the unit

Check that there is no condensation inside the packaging. If there are signs of condensation, the unit must not be installed until you are sure it is completely dry.

### CAUTION

All installation operations must comply with current regulations.

All operations involving moving heavy weights must be carried out using the required mechanical means (crane, hoist, etc.).

If the PV installation is in France, the stickers indicated in standards *C18-510* and *C15-712-1/2/3* must be firmly attached to each inverter.

### 6.1. General requirements for installation

- The environment of the unit must be appropriate and meet the guidelines described in chapter “5. Preparation for installing the unit”. Additionally, the parts used in the rest of the installation must be compatible with the unit and comply with the applicable legislation.
- The ventilation and workspace must be suitable for maintenance tasks according to the applicable regulations in force.
- The external connection devices, which must be suitable and sufficiently close as set forth in current regulations.
- The feed cables must be of the appropriate gage for the maximum current.
- Special care must be taken to ensure that there are no external elements near the air inlets and outlets that obstruct proper cooling of the unit, respecting the distances indicated in section “5.1. Environment”.

### 6.2. Attaching the unit to the wall

#### CAUTION

These inverters can be mounted directly on the wall or using an assembly bracket. The wall or structure on which the inverter is installed must be capable of supporting its weight.

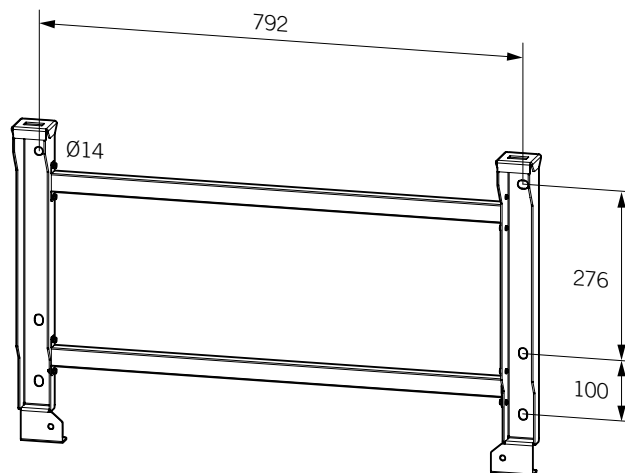
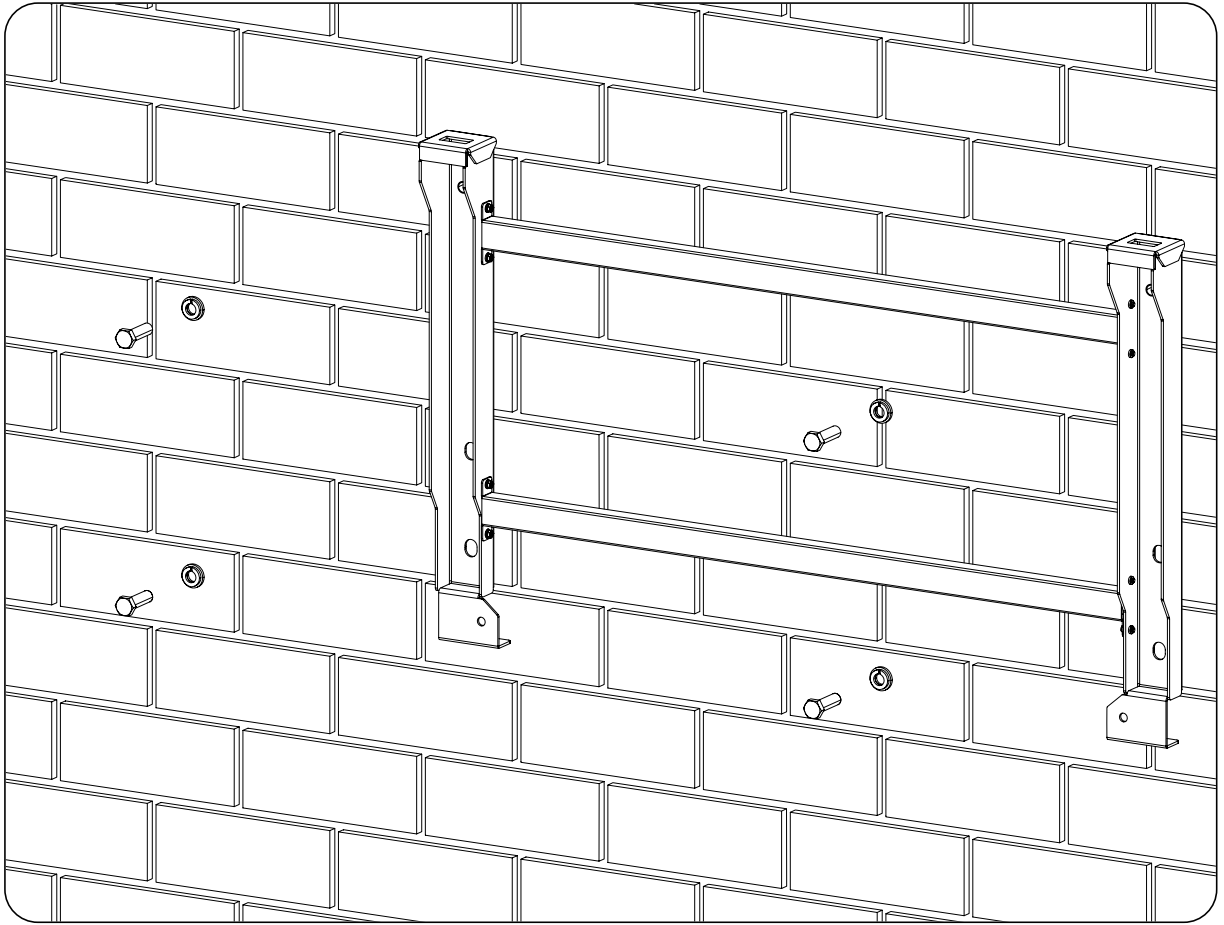
If the inverter is mounted on the wall, the load capacity of the wall must be greater than 10 KN/m<sup>2</sup>, and M12x60 mm stainless steel bolts should be used.

These units have a system for securing them to the wall using a plate. The steps for fixing the unit properly are as follows. The weight of the unit must be taken into account.

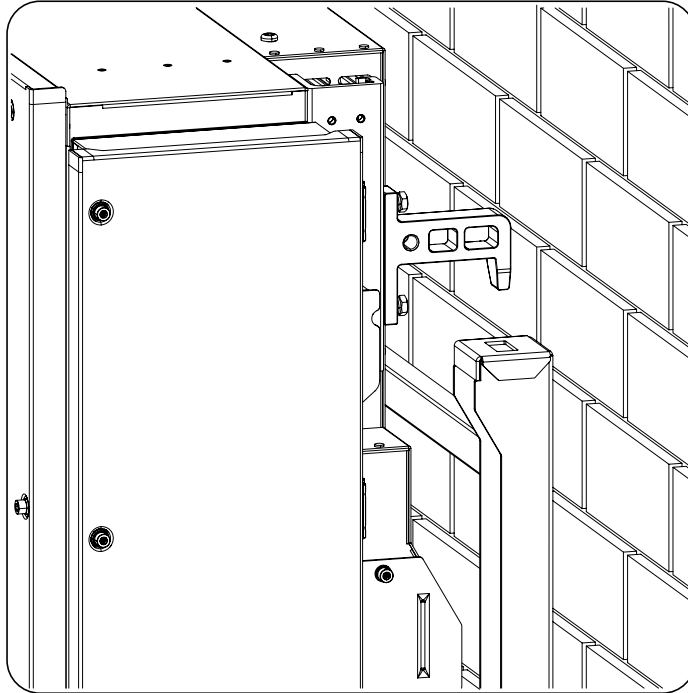
The top attachment plate for the unit supports the weight. The lower points fix the inverter to the wall and prevent vibrations.

1. Mount the plate on the wall, using a level to ensure it is horizontally aligned, and mark the holes.
2. Drill holes in the wall with a suitable bit for the screws to be used to secure the inverter to the wall later. The diameter of the holes in the plate and inverter is 14 mm.

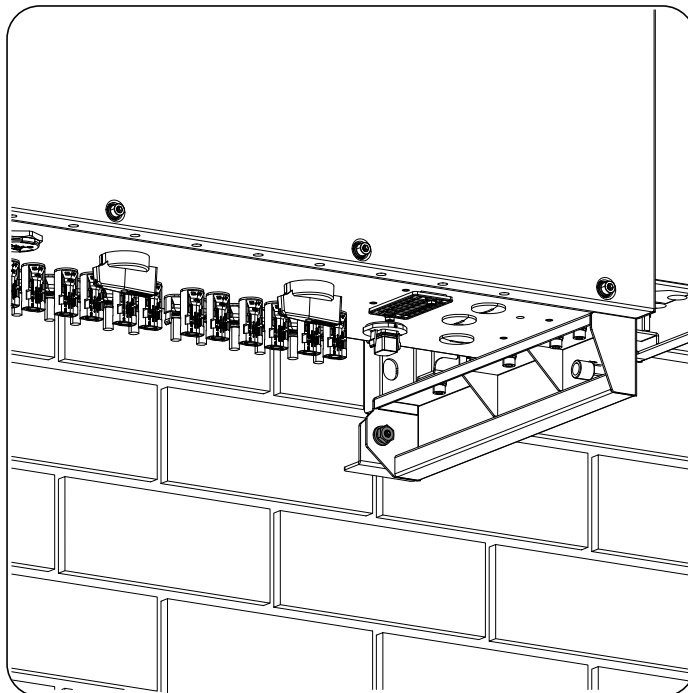
3. Fix the plate using fastening elements that are appropriate for the wall or structure onto which it is to be installed, observing the measurements indicated below.



- Suspend the unit from the plate.



- Bolt the two lower M8 bolts, applying a torque of 12 Nm.



- Check that the unit properly secured.

Once the unit has been installed correctly, the connection process will begin.

Connect in the following order:

- External ground protection connection.
- Communications connection.
- AC connection.

## 4. DC connection.

**CAUTION**

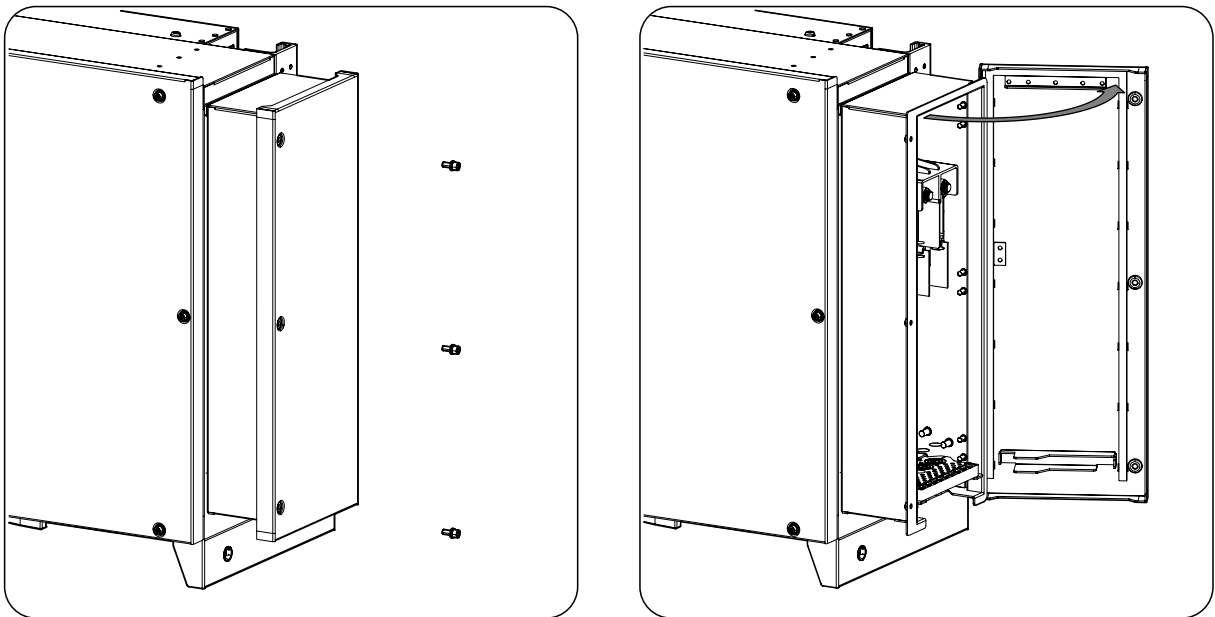
It is mandatory to follow the order described above. Do not supply power until all the connections have been completed.

### 6.3. Opening and closing the housing

**CAUTION**

Under normal operating conditions, the main compartment must not be opened.

To access the AC compartment, remove the M6 bolts and open the cover as shown below.



After making the different connections explained in the sections below, close the unit before starting it. To close the housing, tighten the aforementioned screws applying a torque of 4 Nm.

Check that the unit is correctly closed before starting up the unit.

EN

ES

FR

IT

PT

## 7. External ground protection connection

This chapter explains the requirements and process for connecting the ground wiring to the unit.

Read carefully before starting the connection process.

**INFO**

Consult section *“Important safety instructions”* and the following instructions before working on the unit.

### 7.1. Safety instructions for the connection of the external ground protection

**DANGER**

Make sure there is no voltage present in the unit and that the DC connection has not been made before starting the ground connection.

**Do not switch on the power** to the unit until you have successfully made the rest of the connections.

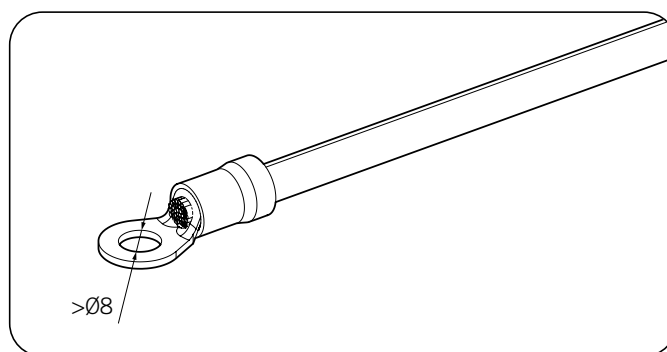
Use the Personal Protective Equipment specified in the section *“Personal Protective Equipment (PPE)”*.

**CAUTION**

Ingeteam accepts no liability for any damages caused by an incorrect connection.

### 7.2. Wiring requirements for the connection of the external ground protection

	110TL M9
Wiring cross-section	70 ~ 240 mm <sup>2</sup>
Wiring material	Copper
Terminal type	Round or ring
Threaded hole in the inverter	M8
Tightening torque	7 Nm



The dimensioning of the ground wiring will be the responsibility of the installer and must meet applicable regulatory requirements in the installation.



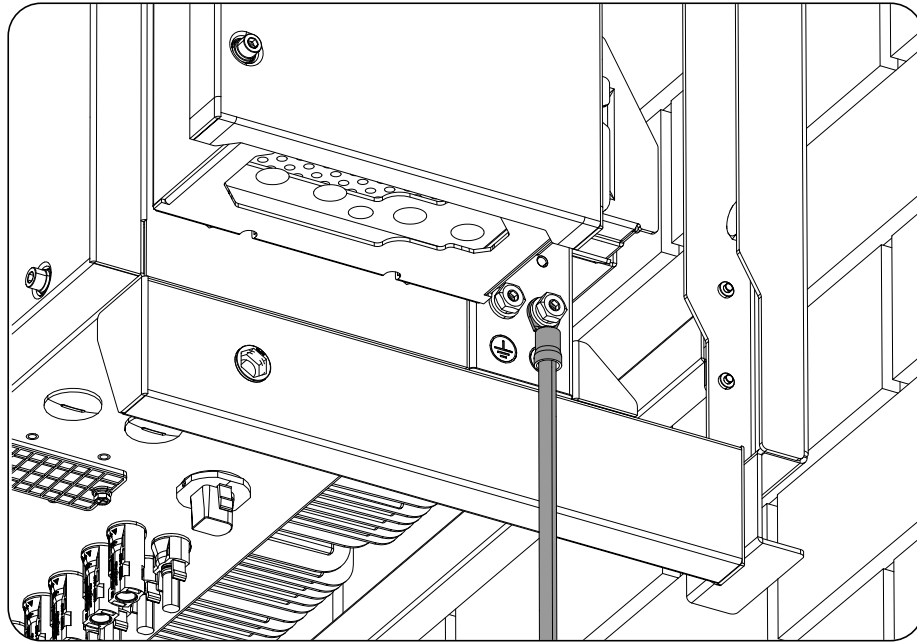
## 7.3. External ground protection connection procedure

**CAUTION**

Connecting the external protection to ground does not imply that the PE connection on the AC section is not obligatory. Both of these must be correctly connected and grounded.

Ingeteam accepts no liability for the consequences resulting from failure to comply with this instruction.

Connect the terminal using the bolt and washer supplied in the threaded hole intended for this purpose.



## 8. Connection of communications

This chapter explains the process for wiring the inverter communications.

Read carefully before starting the connection process.

### 8.1. Safety instructions for the communications connection

#### **⚠ DANGER**

Make sure there is no voltage present on the unit before starting the connection.

**Do not switch on the power** to the unit until you have successfully made the rest of the connections.

Use the Personal Protective Equipment specified in the section *“Personal Protective Equipment (PPE)”*.

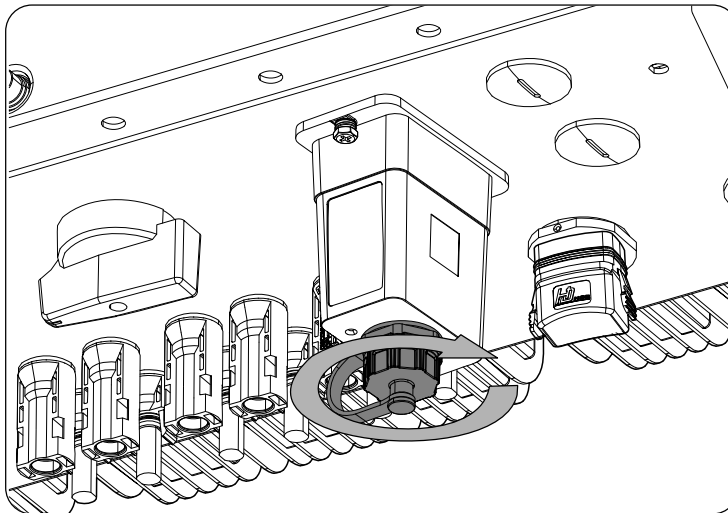
#### **⚠ CAUTION**

Ingeteam accepts no liability for any damages caused by an incorrect connection.

After connecting the communications dongle, and if the Ethernet connector is not used, close the screw-on cover of the connector.

In addition, the covers of the rest of the communications connectors must remain in place.

Ingeteam accepts no liability for the consequences resulting from failure to comply with these instructions.



*Screw-on cover for the Ethernet connector*

### 8.2. Ethernet communication connection

The inverter can communicate via Ethernet.

#### 8.2.1. Cabling requirements

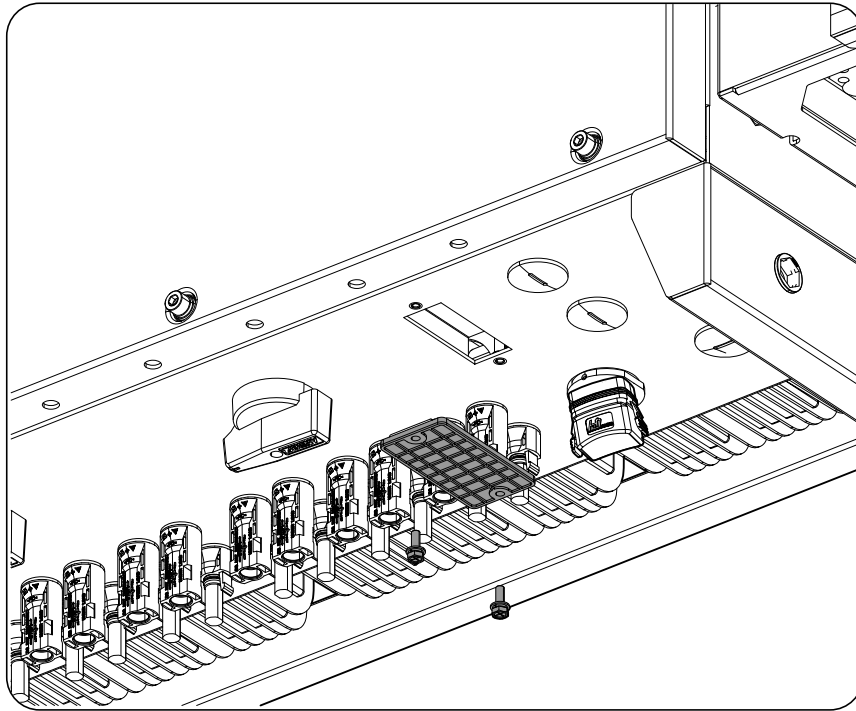
For Ethernet communication, use a cable with a diameter of 4 to 6 mm.

#### 8.2.2. Connection process

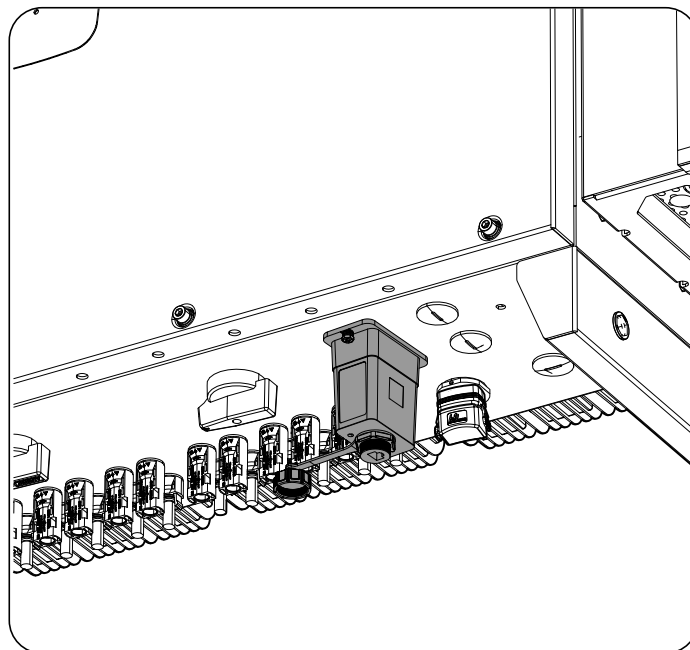
##### **i INFO**

The communications dongle is designed to permit connection of the Ethernet cable, maintaining the IP rating of the inverter.

1. Remove the protective cover from *COM1*.



2. Connect the Ethernet/Wi-Fi communications dongle, securing it with two bolts (torque 0.8 Nm).



EN

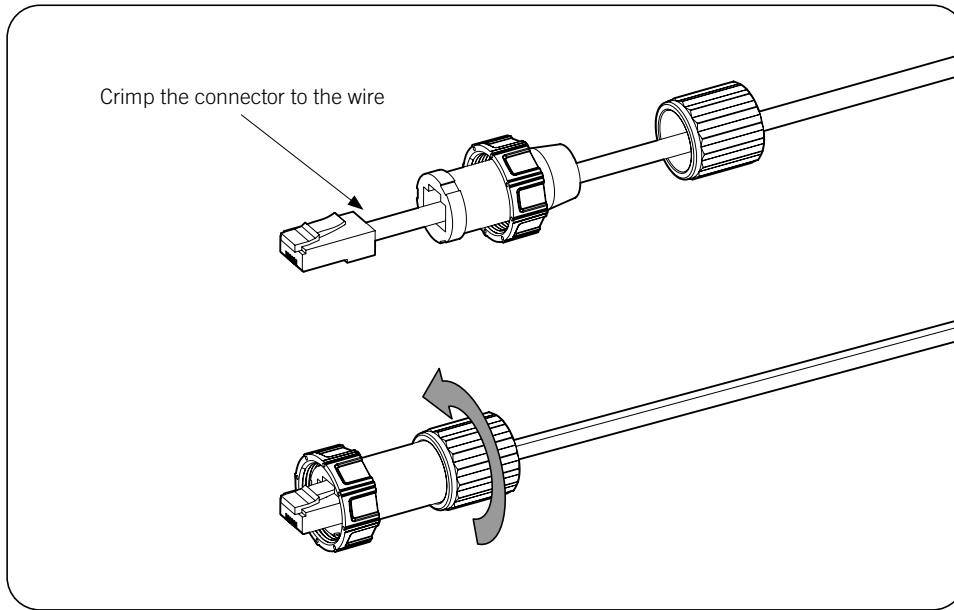
ES

FR

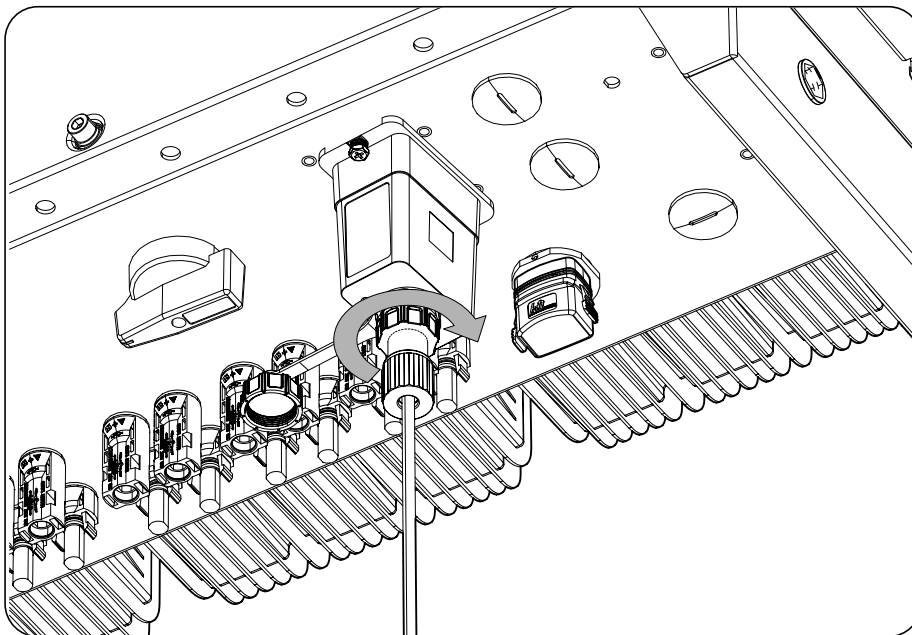
IT

PT

3. The connector supplied with the inverter must be used to guarantee the protection rating.



4. Connect the Ethernet wiring.



### 8.3. Connection via Wi-Fi

**CAUTION**

If using the Wi-Fi connection and not using the Ethernet connection, the Ethernet connection socket must be kept closed using the cover provided in order to guarantee the protection rating.

See section ["12.3. Connecting the inverter to a Wi-Fi network"](#).

### 8.4. Communication connection for port COM4

Communication via RS-485 is configured by default to be a Modbus slave with an ID of 01. This address can be changed.

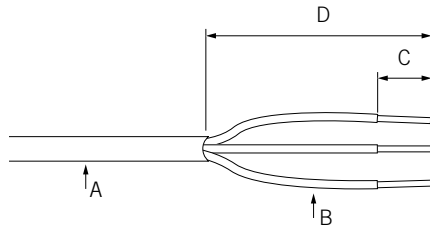
For the communication to be with a wattmeter, the wattmeter model to be connected must be configured. See document ACL2010IMB03 - List of approved power meter for Ingecon Sun 110TL M9.

**CAUTION**

If not using the RS-485 connection, the COM4 cover must remain installed.

### 8.4.1. Cabling requirements

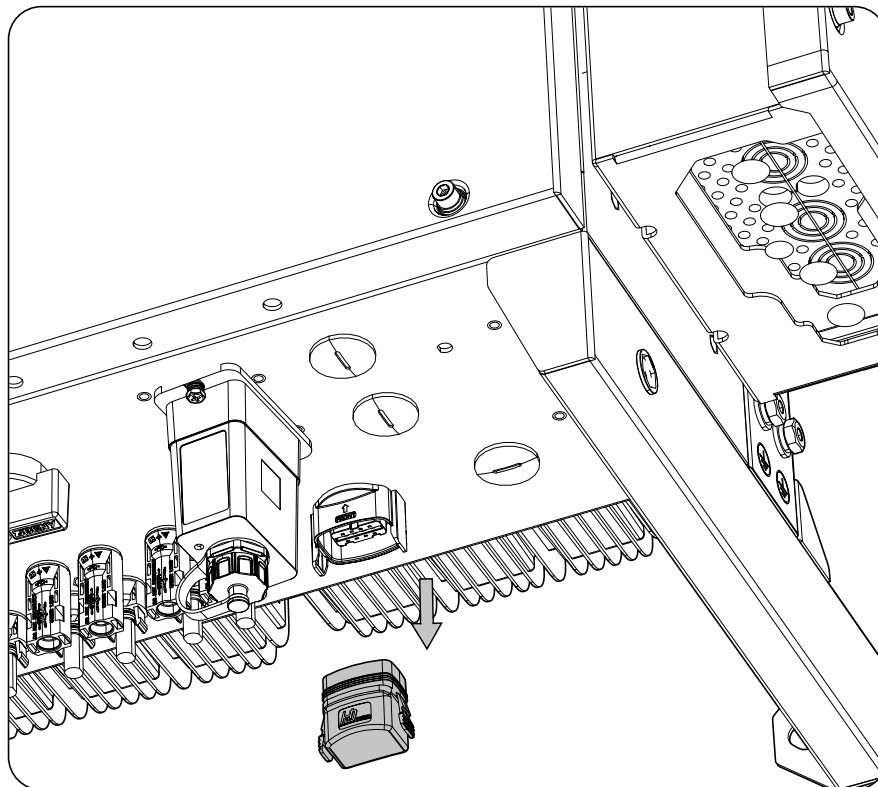
The wiring specifications for the RS-485 connection are specified in the following table:



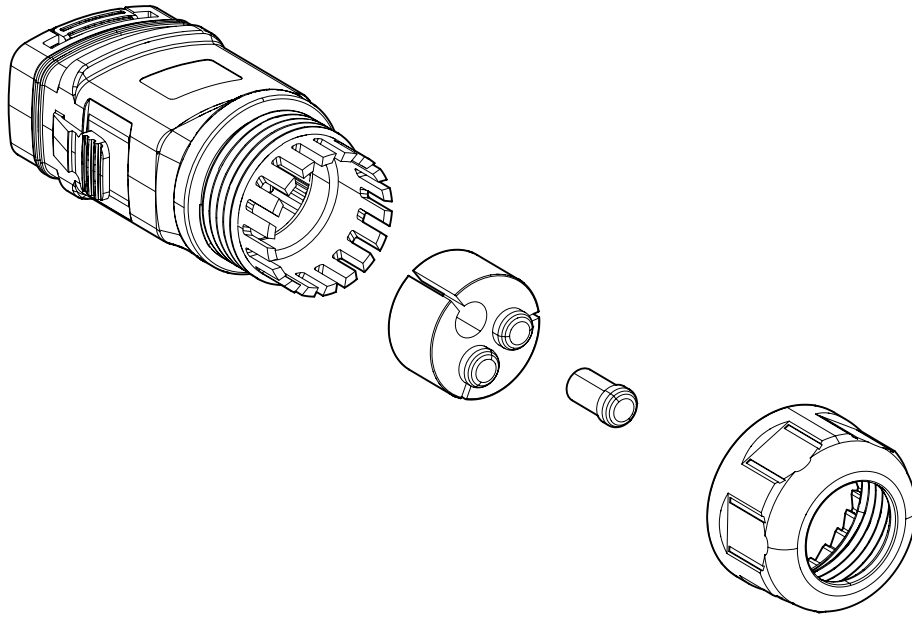
A	B	C	D
Diameter	Section	Length	Length
12 ~ 14 mm	0.50 mm <sup>2</sup> ~ 0.75 mm <sup>2</sup>	7 ~ 8 mm	31 ~ 35 mm

### 8.4.2. Connection process

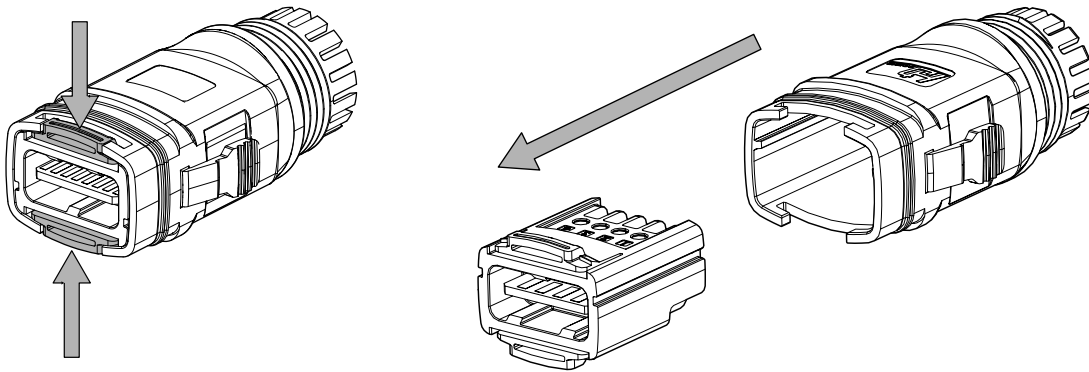
1. Remove the protective cover from the COM4 connector of the inverter.



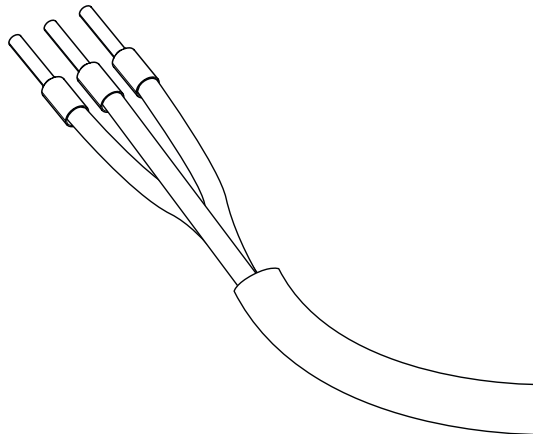
- Undo the rear screw of the aerial connector and remove one of the rubber plugs.



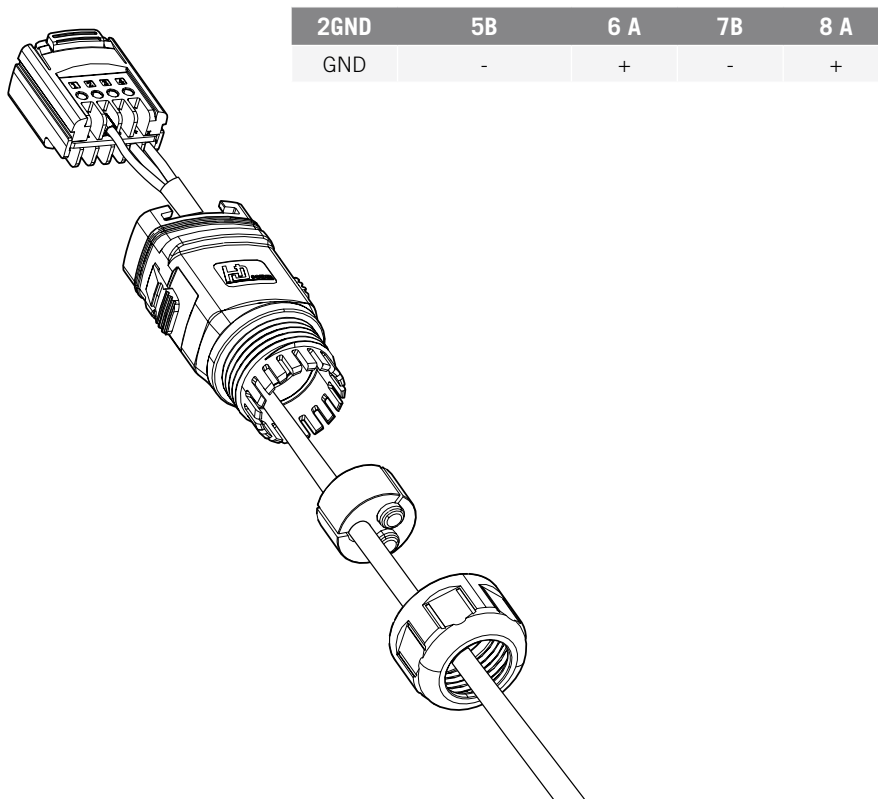
- Remove the casing of the aerial connector to access the connections zone.



- Crimp the 3 cables

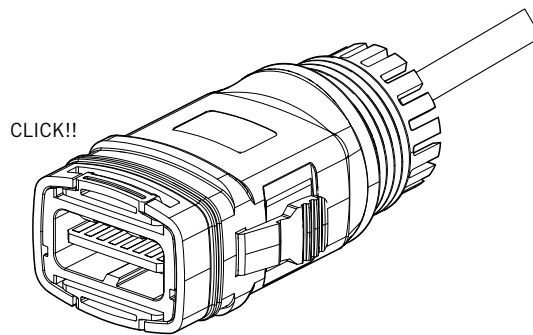


- Connect pins 2, 5 and 6 to the connections zone of the aerial connector. Apply a tightening torque of 1.2 Nm.

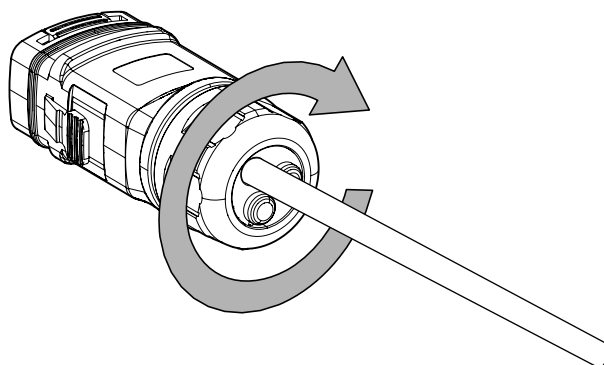


The connector has the positive and negative pins of the RS-485 communication duplicated in order to continue with another node if necessary. In case of a single communication, use pins 2, 5 and 6 only.

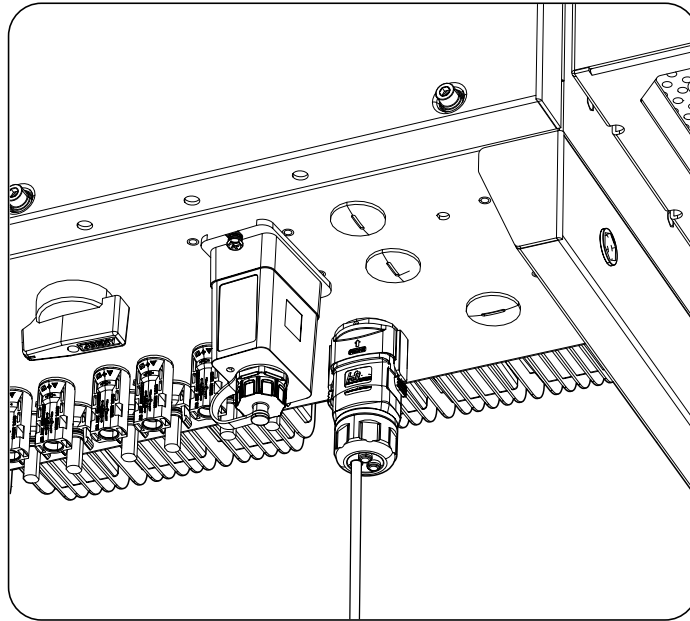
6. Replace the casing of the connector. The casing clicks into place.



7. Tighten the rear nut of the connector.



8. Connect the aerial to the COM4 connector of the inverter.





## 9. AC connection

This chapter explains the requirements and process for connecting the AC wiring to the unit.

Read carefully before starting the connection process.

### INFO

Consult section *“Important safety instructions”* and the following instructions before working on the unit.

For further information about the connection of the inverter within the installation, please see section *“2.6. Electrical diagram of the system”*.

### 9.1. Safety instructions for the AC connection

#### DANGER

Make sure there is no voltage present in the unit and that the DC connection has not been made before starting the AC connection.

**Do not switch on the power** to the unit until you have successfully made the rest of the connections.

Use the Personal Protective Equipment specified in the section *“Personal Protective Equipment (PPE)”*.

Respect the polarity of the AC wiring.

#### CAUTION

Ingeteam accepts no liability for any damages caused by an incorrect connection.

The communications for this inverter are also powered from the AC section.

### 9.2. Wiring requirements for the AC connection

To guarantee the safety of persons, for the unit to function correctly and comply with the applicable standards, the unit must be connected to the ground of the installation.

If the inverter and the grid connection point are far enough apart to require the use of cables with a larger gage, an external distribution box should be used close to the inverter to make this connection.

The AC connection must be made using single-pole wires. A total of five cables are used: three phases, neutral (optional) and ground. The conductor material may be copper or aluminum.

Wiring requirements for the AC connection				
Wiring	Type	Material	Section	Diameter
Single-pole	5 single-pole cables (L1, L2, L3, PE, N <sup>(1)</sup> )	Copper	70 mm <sup>2</sup> ~ 240 mm <sup>2</sup> $S_{PE} \geq S_L/2^{(2)}$	14 mm ~ 32 mm
		Aluminum	95 mm <sup>2</sup> ~ 240 mm <sup>2</sup> $S_{PE} \geq S_L/2^{(2)}$	

<sup>(1)</sup> Optional, the inverter is able to operate without the neutral connection. <sup>(2)</sup>  $S_L$ : cross-section of phase cable.  $S_{PE}$ : cross-section of PE wire

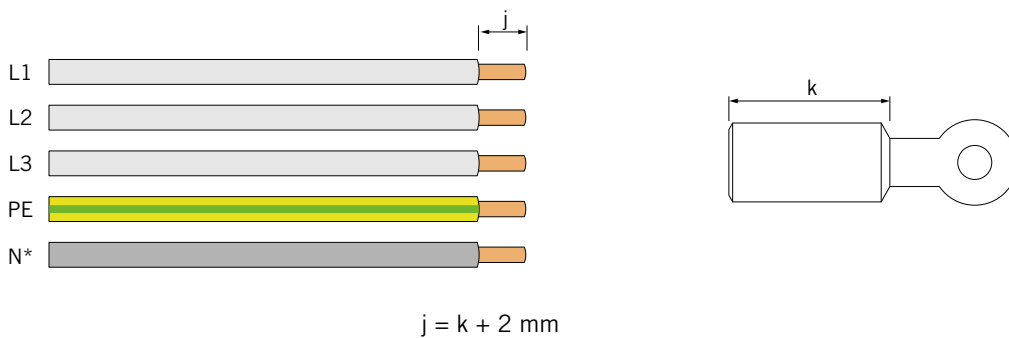
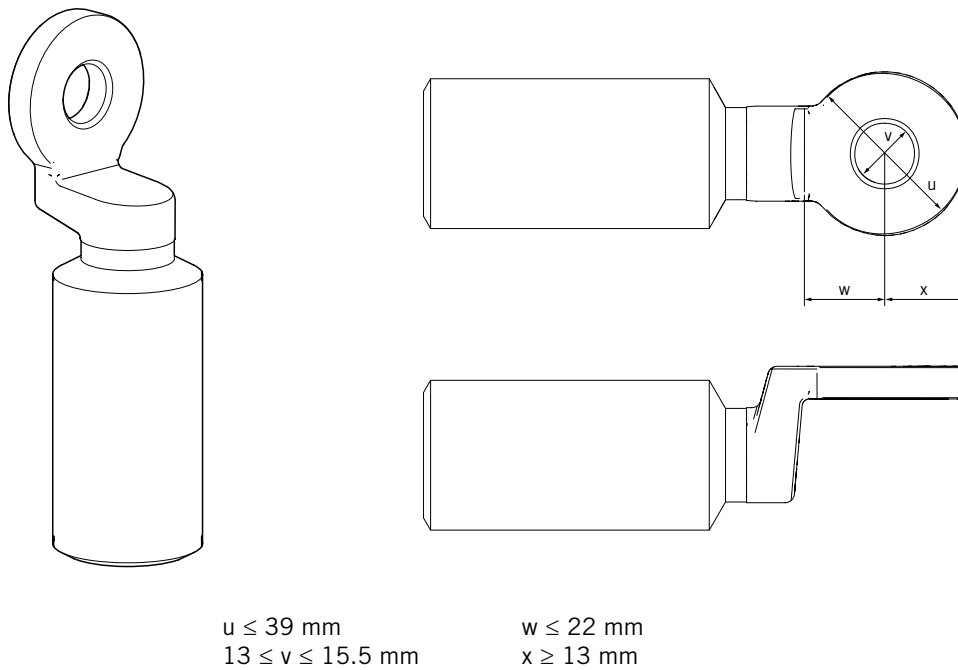
#### CAUTION

If using aluminum cables, the installer must provide the necessary means to prevent galvanic coupling (bipolar terminals, bimetallic interfaces, etc.).

The dimensioning of the ground wiring will be the responsibility of the installer and must meet applicable regulatory requirements in the installation.

### 9.3. Terminal requirements for the AC connection

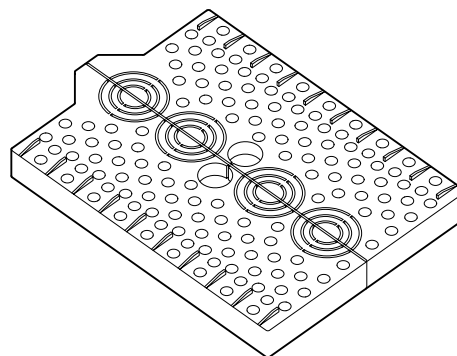
To ensure a correct connection, the terminals for M12 must meet the dimensional requirements below.



### 9.4. AC connection process

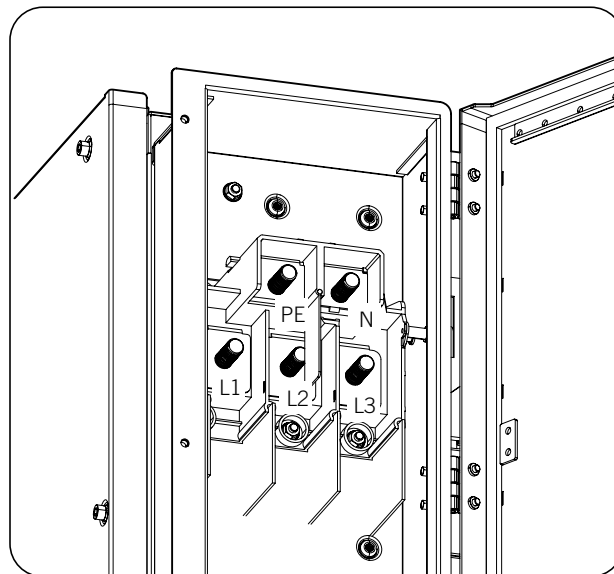
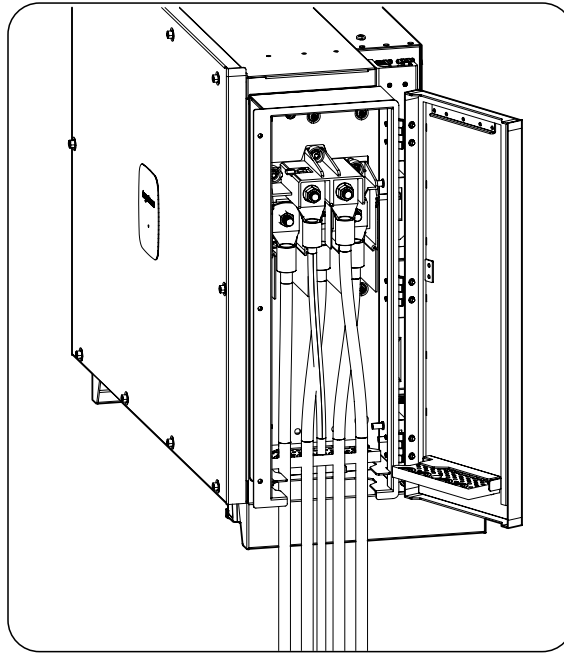
**i** INFO

The unit is equipped with different cable entry systems to facilitate the installation with any cable section chosen by the installer.



1. Access the AC compartment on the side of the inverter.

2. Connect the three phases, neutral and ground to the terminals marked L1, L2, L3, N and PE, respecting the polarities. The torque for the terminals is 25 Nm.



**CAUTION**

If connecting the unit to a TN-C network, connect the three phases to the L1, L2, L3 terminals and the PEN wire to the PE terminal. Connect a cable with a cross-section of 12 mm<sup>2</sup> or more from the PE terminal to the N terminal in order to have a neutral intake.

3. Close the cover of the AC compartment, checking that the lower membrane is correctly fitted.

# 10. DC connection

This chapter explains the requirements and process for connecting the DC wiring to the unit.

Read carefully before starting the connection process.

**INFO**

Consult section *“Important safety instructions”* and the following instructions before working on the unit.

## 10.1. Safety instructions for the DC connection

**DANGER**

Make sure there is no voltage present on the unit before starting the connection.

**Do not switch on the power** to the unit until you have successfully made the rest of the connections.

Use the Personal Protective Equipment specified in the section *“Personal Protective Equipment (PPE)”*.

When the PV array is exposed to sunlight the inverter has DC voltage.

**CAUTION**

Ingeteam accepts no liability for any damages caused by an incorrect connection.

## 10.2. Wiring requirements for the DC connection

**CAUTION**

The type of cabling for the connection must have dimensions in line with current regulations in the country of installation and according to the type of installation and maximum current and voltage of the PV array.

The strings connected to the unit's connectors must be electrically independent of each other. That is, there must not be any strings with a current higher than that permitted separated into several connectors, as the current distribution is never guaranteed.

	String groups								
	1-2	3-4	5-6	7-8	9-10	11-12	13-14	15-16	17-18
Wiring diameter	5 ~ 8 mm								
Maximum current per string group	40 Adc	40 Adc	40 Adc	32 Adc	32 Adc	32 Adc	32 Adc	32 Adc	32 Adc

The inverter includes the aerial photovoltaic connectors required for connecting each string to the unit.

## 10.3. DC connection process

### Assembly of aerial connectors

**DANGER**

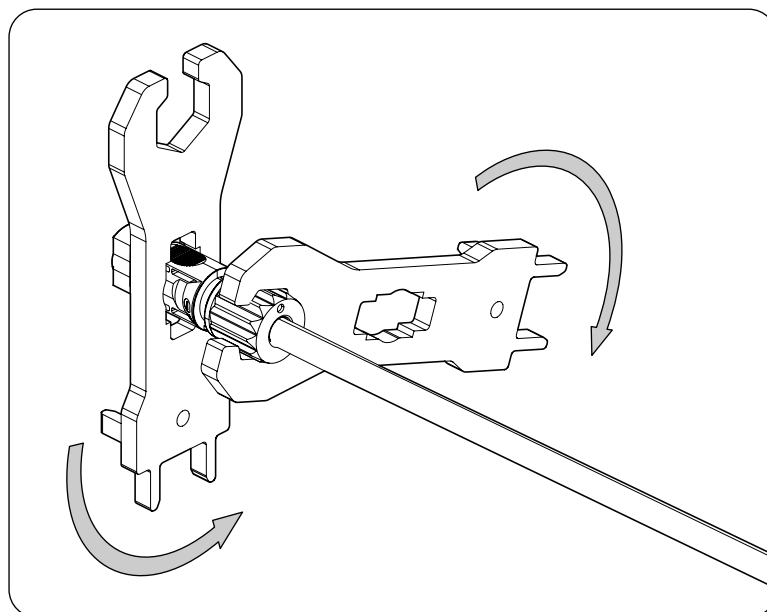
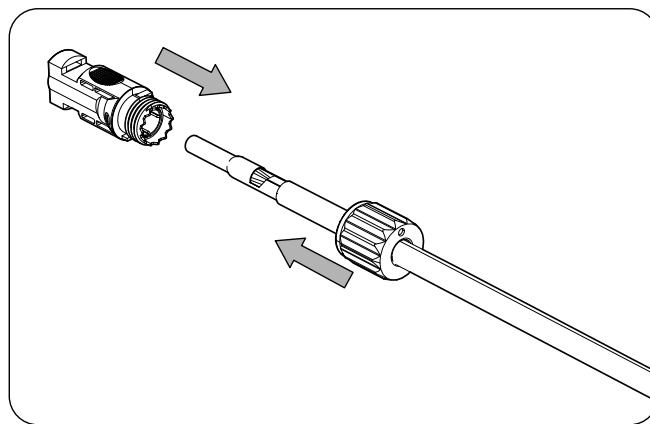
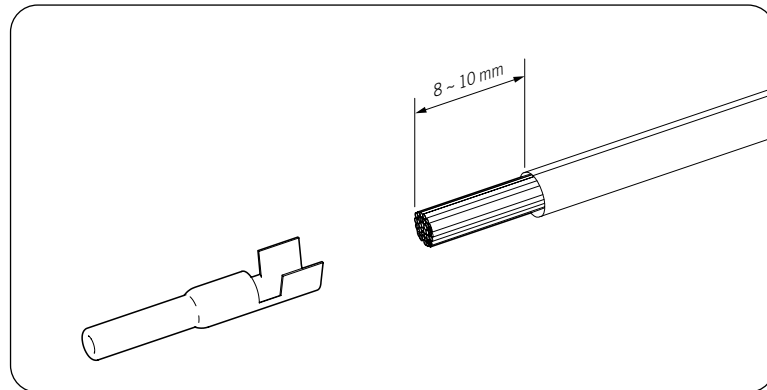
It is essential to check the polarity of the strings and correctly assemble their flying leads to ensure that the connection to the unit has the correct polarity. Ingeteam accepts no liability for any consequences resulting from an incorrect connection.

### Connection via quick connectors

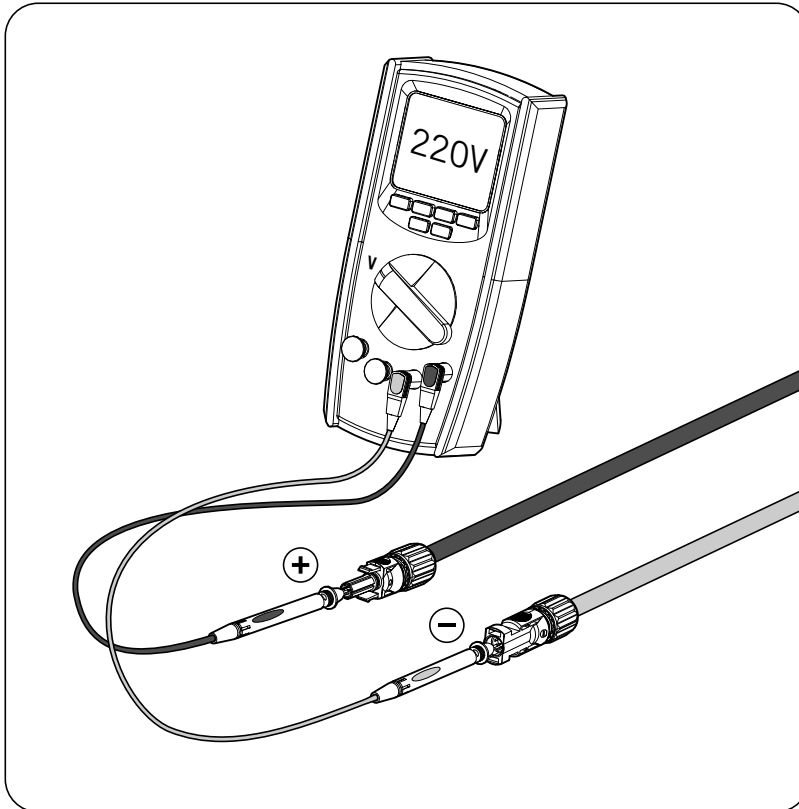
To ensure the correct operation of the switch, when connecting the strings the numbering must be respected. That is, string 1 is connected to connectors PV1+ y PV1-. Proceed in the same way for the remaining strings to be connected.

With the switch on Off and the unit completely closed:

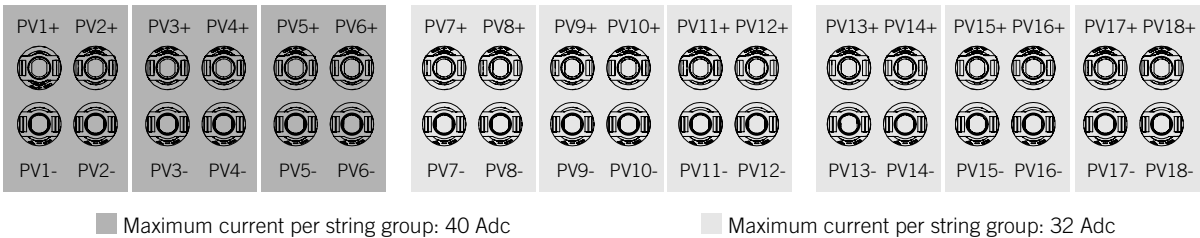
1. Remove the caps on the connectors to which strings are to be connected.
2. Mount the aerial connectors on the wires.



3. Check the polarity of the strings.



4. Connect the strings to each of the inputs, respecting the polarities indicated on the lower connections plate of the unit. Also take into account the numbering of each input, respecting it in the positive and negative poles.



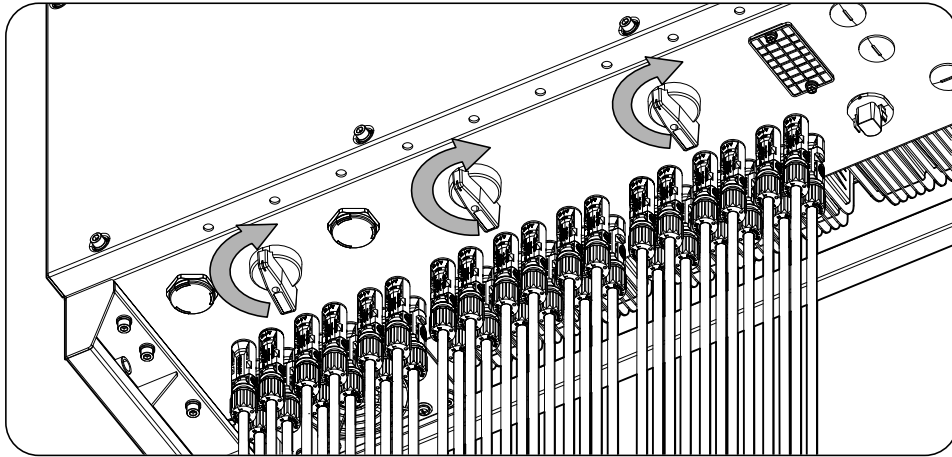
**⚠ DANGER**

If the wiring is connected in reverse and the DC switch is activated, do not immediately operate the switch or the connectors. Otherwise, the unit could be damaged.

It is necessary to wait until night-time, when solar radiation decreases, in order to operate them. Turn the DC switch to OFF, remove the connectors and reconnect them, respecting the polarity.

After checking that all the strings have been connected correctly, ensure that the connections are firm.

5. Turn the DC switches to ON.



6. If the connection is not correct, the AC voltage is insufficient or there is no AC voltage, the LED on the control panel of the unit will flash in red.

# 11. First connection to the electricity grid

This chapter details the process for the inverter's first connection to the grid.

As this inverter is powered from the AC part, it continues to have active communications. Thus, for example, a self-consumption installation may continue to be monitored in the absence of DC energy.

## 11.1. Unit inspection

You must check the correct condition of the installation before start-up.

Each installation is different, depending on its characteristics, the country in which it is located or other special conditions which may apply. In all cases, before starting up, it is necessary to ensure that the installation complies with the applicable legislation and regulations and that at least the part to be started up is complete.

### 11.1.1. Inspection

Before inverter's first connection to the grid, you must carry out a general inspection involving mainly:

#### Wiring inspection

- Check that the cables are correctly joined to their connectors.
- Check that these cables are in a good condition and that there are no hazards in their environment which damage them, such as sources of intense heat, objects which could cut them or arrangements which put them at risk of impacts or pulling.
- Check the polarities of the DC and AC cables.

#### Review the unit's fastening

Check that the unit is secured firmly and is not at risk of falling.

### 11.1.2. Hermetic sealing of the unit

Ensure during installation operations that the unit's level of sealing has not been altered during connection of the unit.

Check the correct adjustment of the connectors and that any cable grommets are well sealed.

## 11.2. Initial connection and configuration

#### INFO

To manage the inverter from a smartphone or tablet, you need to install the INGECON SUN Monitor app, available on Apple Store and Play Store.



<https://apps.apple.com/br/app/ingecon-sun-monitor/id1434881715>

<https://play.google.com/store/apps/details?id=com.ingeteam.ingecon.sunmonitor>


Thanks to the web user interface, the inverter can be configured in a simple and efficient manner using a computer or smartphone.

By default the inverter acts as a Wi-Fi access point, generating a SoftAP network with an SSID similar to *Ingeteam\_IGMxxxxxAxx\_MMMM*. By default, this network is protected with the password *ingeconsun*.

Follow the instructions below to establish a local connection with the inverter and configure it:



**Connecting with a smartphone or tablet**

1. Install the INGECON SUN Monitor app.
2. Log in as an authorized installer and press the  icon to connect to the inverter locally.
3. Follow the steps given to access the unit's web application.

**Connecting with a computer**

1. Connect to the Wi-Fi network generated by the inverter.
2. In the web browser, access the web application at <http://169.254.1.1>. You must log in as an authorized installer.

When connecting for the first time, a wizard will guide you through the steps for an optimal configuration.

## 11.3. Connecting to the electricity grid

Once the unit has been configured, close the external AC thermomagnetic circuit breaker in order to supply AC voltage to the unit.

From this moment the unit is ready to be connected to the electricity grid. If the unit does not connect, verify if there are any alarms or manual stops.

## 12. Using the unit

The inverter operation management is done through the web application.

### 12.1. Inverter management through the web application

It is possible to access the control application from various types of device (smartphone, tablet or computer). The inverter can be managed from the control application either locally (inverter and device connected to the same communication network) or remotely (inverter and device connected to different communication networks).

The following sections describe the process for connecting the inverter locally or remotely.

The factory settings of the communications include:

- Ethernet interface in DHCP mode.
- Wi-Fi interface only in Access Point mode.

### 12.2. Connecting to the inverter locally through its Wi-Fi network


#### INFO

The Wi-Fi communication network generated by the inverter has a 2.4 GHz wireless frequency.

The inverter has a label attached to it that indicates the SSID and password of the Wi-Fi network (*Default local Wi-Fi access point*).

The inverter acts as a Wi-Fi access point, generating a SoftAP network. Follow the steps below to connect locally to this network:

#### Connecting with a smartphone or tablet

1. Install the INGECON SUN Monitor app.
2. Log in as an authorized installer and press the  icon to connect to the inverter locally.
3. Follow the steps given to access the unit's web application.

#### Connecting with a computer

1. Connect to the Wi-Fi network generated by the inverter.
2. In the web browser, access the web application at <http://169.254.1.1>. You must log in as an authorized installer.
3. Enter using the user name and password defined on the label attached to the inverter (*Default local access login*).

### 12.3. Connecting the inverter to a Wi-Fi network

#### INFO

The Wi-Fi communication network that the inverter is to be connected to must have a 2.4 GHz wireless frequency.

Ingeteam establishes a minimum Wi-Fi signal level received by the inverter of 50% (-75 dBm) to ensure an optimum connection.

In order to connect the inverter to an existing Wi-Fi network, follow the steps below:

1. Connect to the inverter locally (see "[5.4. Protection of the connection to the electricity grid](#)").
2. Access the Comms menu in the upper section.
3. Select Wi-Fi in the left panel.
4. Press **CONNECT to Wi-Fi Network**. A list of available Wi-Fi networks will display. Select the desired network and enter the password if requested.

**i INFO**

If the SSID identification name of a Wi-Fi network cannot be displayed to the user, enter the network name in the *Custom SSID* field.

## 12.4. Connecting to the inverter remotely

To connect to the inverter remotely, it must be connected to the Internet through a Wi-Fi network or Ethernet. Once connected to the Internet, follow the steps below:

1. Access INGECON SUN Monitor.
2. Create a plant with the inverter's *Device ID* and *Password*. This information appears on the sticker on the inverter.
3. Access the plant to see the installation monitoring. You can also access the unit's web application.

**i INFO**

Keep in mind the following requirements:

- The inverter must be connected to a local network with an Internet output in ports UDP80 (or UDP1194) and TCP8883.
- The device that the remote connection is established from must have an Internet output in ports TCP80, TCP22 and TCP9001.

By default the routers have the necessary ports for remote communication open. Otherwise, request the network administrator to open these ports.

Ensure that the default gateway and network mask are correct, as the inverter will not have Internet access otherwise. By default the inverter operates by DHCP and these parameters do not need to be set up in a network with a DHCP server.

If the inverter is to be configured with a static IP, check the network setting properties of a computer or other device in the same network, or request it from the network administrator.

## 12.5. Changing the IP settings of a Wi-Fi network

When it connects to an existing Wi-Fi network the inverter will obtain its IP address dynamically (DHCP). If it connects to a network without DHCP server or if you wish to set up the inverter with a static IP address, follow these steps:

1. Open the web application from the device's browser.
2. Open *Comms* in the top menu.
3. Select *Wi-Fi* in the left panel.
4. Click on the option *Change* in the *Primary* field.
5. In the *IP Mode* field, select the *Fixed* or *DHCP* option.
6. If you have selected *Fixed*, complete the required data (*IP address*, *IP mask* and *IP gateway*).

**i INFO**

To verify that the gateway and network mask are correct, access the network settings properties of a device that is on the same network or request it from the network administrator.

7. Finally click on *Send*.

A window will appear with the data of the new IP address setup.

## 12.6. Changing the IP settings of an Ethernet network

When it connects to an existing Ethernet network the inverter will obtain its IP address dynamically (DHCP). If it connects to a network without DHCP server or if you wish to set up the inverter with a static IP address, follow these steps:

1. Open the web application from the device's browser.
2. Open *Comms* in the top menu.
3. Select *Ethernet* in the left panel.
4. Click on the option *Change* in the *Primary* field.
5. In the *IP Mode* field, select the *Fixed* or *DHCP* option.
6. If you have selected *Fixed*, complete the required data (*IP address*, *IP mask* and *IP gateway*).

**i INFO**

To verify that the gateway and network mask are correct, access the network settings properties of a device that is on the same network or request it from the network administrator.

7. Finally click on *Send*.

A window will appear with the data of the new IP address setup.

## 12.7. Register the inverter in INGECON SUN Monitor

INGECON SUN Monitor is an application for monitoring photovoltaic installations. It is also available as a web application.

To register the inverter in INGECON SUN Monitor, there is a label attached to the inverter that indicates the *Device ID* and password (Register at [www.ingeconsunmonitor.com](http://www.ingeconsunmonitor.com)).

**i INFO**

The inverter should be registered via the web application at [www.ingeconsunmonitor.com](http://www.ingeconsunmonitor.com).

## 12.8. Updating the inverter firmware

**i INFO**

To perform this procedure, the inverter must be connected to the Internet through a Wi-Fi network or Ethernet.

1. Open the web application from the device's browser (see "[12.4. Connecting to the inverter remotely](#)").
2. Open the *Update*. menu. If there are any updates available they will be listed.
3. Install the update.

This operation can also be done using the button in the control application.

## 13. Inverter states and alarms

The inverters have an LED light on the front dial, and an LED on the communications dongle. These lights indicate the state of the inverter and the communications, and the possible existence of alarms.

### 13.1. Inverter states (lighting on front dial)

LED color	LED type lighting	Status
Green	Flashing	Attempting to connect or reconnect to the electricity grid (standby)
	On	Inverter connected to the electricity grid
Blue	On	Operating with limited power
Red	Flashing	Inverter disconnected from the electricity grid due to an active incident
	On	Inverter disconnected from the electricity grid due to manual shutdown
White	Flashing	Inverter only powered from AC

### 13.2. Inverter communication states (lighting on communications dongle)

LED color	LED type lighting	Status
Blue	Flashing	Inverter trying to establish communication
	On	Inverter with active communication
	Switched off	Inverter without communication

### 13.3. Alarms

#### INFO

See the guide ACL0000IMC01 which lists the alarms and how to resolve any problems that may arise in the installation and during operation. To download the guide, go to the INGECON SUN Training website ([www.ingeconsuntraining.info/?page\\_id=36472](http://www.ingeconsuntraining.info/?page_id=36472)).

EN

ES

FR

IT

PT

## 14. Shutting down the unit

To disconnect the inverter, proceed as follows:

1. Switch to shutdown mode from the control application.
2. Remove AC voltage from a means of disconnection outside the unit.
3. Remove DC voltage from a means of disconnection outside the unit or using the unit switch, provided the protection barriers protecting the DC supply are not going to be removed.
4. Where these protections are to be removed (for example, to handle the DC supply), remove the DC voltage by disconnecting all of the quick connectors.
5. Wait 5 minutes, until the internal capacitors have discharged and the internal and external elements have cooled. Also wait until the fans, if fitted, stop.

## 15. Maintenance

The recommended maintenance tasks must be carried out at least annually, except where otherwise stated.

### 15.1. Safety conditions

#### DANGER

All the maintenance checks included here must be carried out with the machine stopped, under safe conditions for handling, including those specified by the client for these types of operation.

Make sure there is no voltage present on the unit before starting maintenance operations.

While connecting the inverter, make sure of the proper installation of the cables on the unit's terminals so that parts of accessible wires do not remain live.

When carrying out maintenance work on the unit, you must wear the personal protective equipment specified in section "*Personal Protective Equipment (PPE)*" of this document.

#### CAUTION

You should consider the set of conditions listed below as minimum requirements.

Ingeteam accepts no liability for any damages caused by improper use of the equipment. You must propose in advance to Ingeteam any work carried out on any equipment which implies a modification of the original electrical arrangements. These must be studied and approved by Ingeteam.

### 15.2. Condition of the housing

A periodic visual check of the condition of the housing must be carried out, confirming the condition of the seals and the cover, as well as the fixing of the units to their anchor points on the wall. In addition, you must check the condition of the housing and the absence of dents or scratches that might degrade the housing or cause it to lose its protection classification. If these types of defect are noticed, the affected parts must be repaired or replaced.

Check the correct fixing of the housing components to their corresponding anchoring points.

### 15.3. Condition of cables and terminals

You must perform an annual inspection of the cable and terminals conditions:

- Check the correct path of the cables so they do not come into contact with live parts.
- Check the insulation deficiencies and hot spots by checking the color of the insulation and terminals.
- Check that the connections have the correct tightening torque.

## 16. Waste handling

These units use components that are harmful to the environment (electronic cards, batteries or cells, etc.).



At the end of the unit's life, it must be correctly processed by an authorized hazardous waste management company.



Installation and Operation Manual	EN
<b>Manual de instalación y uso</b>	<b>ES</b>
Manuel d'installation et usage	FR
Manuel d'installation et usage	IT
Manual de instalação e uso	PT

# Condiciones importantes de seguridad

A lo largo de este apartado se detallan los avisos de seguridad así como el Equipo de Protección Individual o las simbología utilizada en el equipo.

## Condiciones de seguridad

### Avisos generales



**PELIGRO**

La apertura de la envolvente no implica la ausencia de tensión en su interior.

Existe peligro de descarga eléctrica incluso después de desconectar la red, el campo fotovoltaico y la alimentación auxiliar.

Sólo podrá abrirla personal cualificado siguiendo las instrucciones de este manual.

Queda terminantemente prohibido acceder al interior del inversor por cualquier otro punto que no sea el habitáculo AC. Siempre se accederá sin tensión.



**ATENCIÓN**

Las operaciones detalladas en el manual sólo pueden ser realizadas por personal cualificado.

La condición de personal cualificado a la que se refiere este manual, será como mínimo aquella que satisfaga todas las normas, reglamentos y leyes en materia de seguridad aplicables a los trabajos de instalación y operación de este equipo.

La responsabilidad de designar al personal cualificado siempre recaerá sobre la empresa a la que pertenezca este personal, debiendo decidir qué trabajador es apto o no para realizar uno u otro trabajo para preservar su seguridad a la vez que se cumple la legislación de seguridad en el trabajo.

Dichas empresas son responsables de proporcionar una adecuada formación en equipos eléctricos a su personal, y a familiarizarlo con el contenido de este manual.

Se recuerda que es obligatorio cumplir toda la legislación aplicable en materia de seguridad para el trabajo eléctrico. Existe peligro de descarga eléctrica.

El cumplimiento de las instrucciones de seguridad expuestas en este manual o de la legislación sugerida no exime del cumplimiento de otras normas específicas de la instalación, el lugar, el país u otras circunstancias que afecten al inversor.

El conjunto de condiciones que se detallan a lo largo de este documento deben considerarse como mínimas. Siempre es preferible cortar la alimentación general. Pueden existir defectos en la instalación que produzcan retornos de tensión no deseados. Existe peligro de descarga eléctrica.

Según normativa básica de seguridad, todo el equipo deberá ser adecuado para proteger a los trabajadores expuestos contra el riesgo de contactos directos e indirectos. En cualquier caso las partes eléctricas de los equipos de trabajo deberán ajustarse a lo dispuesto en la normativa específica correspondiente.

Según normativa básica de seguridad, la instalación eléctrica no deberá entrañar riesgo de incendio o explosión. Los trabajadores deberán estar debidamente protegidos contra los riesgos de accidente causados por contactos directos o indirectos. La instalación eléctrica y los dispositivos de protección deberán tener en cuenta la tensión, los factores externos condicionantes y la competencia de las personas que tengan acceso a partes de la instalación.

Para comprobar ausencia de tensión es obligatorio utilizar elementos de medida de categoría III y tensión superior a la tensión máxima del campo fotovoltaico.



**INFO**

Estas instrucciones deben estar bien accesibles cerca del equipo y situadas al alcance de todos los usuarios.

Antes de la instalación y puesta en marcha, por favor, leer atentamente estas instrucciones de seguridad y avisos así como todos los signos de advertencia colocados en el equipo. Asegurarse de que todos los signos de advertencia permanecen perfectamente legibles y que los dañados o desaparecidos son restituidos.

**INFO**

La protección contra contactos directos se realiza mediante la envolvente.

El equipo ha sido ensayado según normativa aplicable para cumplir los requisitos de seguridad, los valores de las distancias de aislamiento y líneas de fuga para las tensiones de utilización.

**Peligros potenciales para las personas****PELIGRO**

Choque eléctrico.

El equipo puede permanecer cargado después de desconectar el campo fotovoltaico, la alimentación de red y las alimentaciones auxiliares.

Seguir cuidadosamente los pasos para quitar tensión obligados en el manual.

Explosión.

Existe un riesgo muy improbable de explosión en casos muy específicos de mal funcionamiento.

La carcasa protegerá de la explosión a personas y bienes únicamente si está correctamente cerrada.

Aplastamiento y lesiones articulares.

Seguir siempre las indicaciones del manual para mover y emplazar el equipo.

El peso de este equipo puede producir lesiones, heridas graves e incluso la muerte si no se manipula correctamente.

Alta temperatura.

El caudal de aire de salida puede alcanzar temperaturas altas que dañen a las personas expuestas.

**Peligros potenciales para el equipo****PELIGRO**

Refrigeración.

El equipo necesita un flujo de aire libre de partículas mientras está funcionando.

Mantener la posición vertical y las entradas sin obstáculos es imprescindible para que este flujo de aire llegue al interior del equipo.

No tocar tarjetas ni componentes electrónicos. Los componentes más sensibles pueden dañarse o destruirse por la electricidad estática.

No desconectar o conectar ningún terminal mientras el equipo está funcionando. Desconectar y comprobar la ausencia de tensión antes.

Con el fin de evitar el desgaste prematuro de las uniones atornilladas de los paneles de la envolvente del equipo es necesario que las tareas de retirar e instalar los tornillos se realicen mediante herramienta manual.

## Equipo de Protección Individual (EPI)

Siempre que se trabaje en el equipo usar, como mínimo, el siguiente equipamiento de seguridad recomendado por Ingeteam.

Denominación	Explicación
Calzado de seguridad	Conforme a la norma <i>UNE-EN-ISO 20345:2012</i>
Casco con pantalla facial	Conforme a la norma <i>UNE-EN 397:1995</i> , siempre que existan elementos con tensión directamente accesibles
Ropa de trabajo	Ceñida al cuerpo, no inflamable, 100% de algodón
Guantes dieléctricos	Conforme a la norma <i>EN 60903:2005</i>

Las herramientas y/o equipos empleados en trabajos en tensión deben poseer, al menos, aislamiento de categoría III y tensión superior a la tensión máxima del campo fotovoltaico.

En caso de que normativas propias del lugar exijan otro tipo de equipo de protección individual, el equipo recomendado por Ingeteam se deberá completar adecuadamente.

# Contenidos

Condiciones importantes de seguridad .....	50
Condiciones de seguridad.....	50
Equipo de Protección Individual (EPI) .....	52
Contenidos .....	53
1. Información sobre este manual .....	55
1.1. Destinatarios .....	55
1.2. Simbología.....	55
2. Descripción del equipo .....	56
2.1. Visión general.....	56
2.2. Comunicaciones equipadas de serie.....	57
2.3. Seguridad eléctrica .....	57
2.3.1. Categoría de sobretensión (OVC).....	57
2.4. Grado de contaminación .....	57
2.5. Contaminación acústica.....	57
2.6. Esquema eléctrico del sistema .....	58
2.7. Tabla de características .....	59
2.8. Descripción de accesos de cableado .....	60
3. Recepción del equipo y almacenamiento .....	61
3.1. Recepción.....	61
3.2. Identificación del equipo .....	61
3.3. Daños en el transporte.....	61
3.4. Almacenamiento .....	61
3.5. Conservación .....	61
4. Transporte del equipo .....	62
4.1. Transporte .....	62
5. Preparación para la instalación del equipo.....	63
5.1. Entorno.....	63
5.2. Condiciones medioambientales .....	64
5.3. Superficie de apoyo y anclaje.....	65
5.4. Protección de la conexión a la red eléctrica .....	65
5.5. Tipo de red.....	65
5.6. Longitud del cableado .....	65
5.7. Paneles fotovoltaicos.....	65
5.8. Sistema de desconexión externo.....	65
6. Instalación del equipo .....	66
6.1. Requerimientos generales de instalación .....	66
6.2. Fijación del equipo en pared .....	66
6.3. Apertura y cierre de la envolvente.....	69
7. Conexión de la protección externa de tierra.....	70
7.1. Indicaciones de seguridad para la conexión de la protección externa de tierra.....	70
7.2. Requisitos del cableado para la conexión de la protección externa de tierra .....	70
7.3. Proceso de conexión de la protección externa de tierra .....	71
8. Conexión de comunicaciones.....	72
8.1. Indicaciones de seguridad para la conexión de comunicaciones.....	72
8.2. Conexión de la comunicación vía Ethernet.....	72
8.2.1. Requisitos del cableado .....	72
8.2.2. Proceso de conexión .....	72
8.3. Conexión vía Wi-Fi .....	74
8.4. Conexión de la comunicación del puerto COM4.....	74
8.4.1. Requisitos del cableado .....	75
8.4.2. Proceso de conexión .....	75
9. Conexión de AC .....	79
9.1. Indicaciones de seguridad para la conexión de AC.....	79
9.2. Requisitos del cableado para la conexión de AC.....	79

- 9.3. Requisitos de los terminales para la conexión de AC..... 80
- 9.4. Proceso de conexión de AC ..... 80
- 10. Conexión de DC ..... 82
  - 10.1. Indicaciones de seguridad para la conexión de DC ..... 82
  - 10.2. Requisitos del cableado para la conexión de DC..... 82
  - 10.3. Proceso de conexión de DC..... 82
- 11. Primera conexión a la red eléctrica ..... 86
  - 11.1. Revisión del equipo..... 86
    - 11.1.1. Inspección ..... 86
    - 11.1.2. Cierre hermético del equipo..... 86
  - 11.2. Conexión y configuración inicial ..... 86
  - 11.3. Conexión a la red eléctrica..... 87
- 12. Manejo del equipo ..... 88
  - 12.1. Gestión del inversor a través de la aplicación web ..... 88
  - 12.2. Conectar con el inversor de forma local a través de su red Wi-Fi ..... 88
  - 12.3. Conectar el inversor a una red Wi-Fi..... 88
  - 12.4. Conectar con el inversor de forma remota..... 89
  - 12.5. Cambiar la configuración IP de una red Wi-Fi ..... 89
  - 12.6. Cambiar la configuración IP de una red Ethernet..... 90
  - 12.7. Registrar el inversor en INGECON SUN Monitor ..... 90
  - 12.8. Actualizar el firmware del inversor ..... 90
- 13. Estados y alarmas del inversor..... 91
  - 13.1. Estados del inversor (iluminación en carátula frontal)..... 91
  - 13.2. Estados de las comunicaciones del inversor (iluminación en dongle de comunicaciones) ..... 91
  - 13.3. Alarmas ..... 91
- 14. Desconexión del equipo ..... 92
- 15. Mantenimiento ..... 93
  - 15.1. Condiciones de seguridad ..... 93
  - 15.2. Estado de la envoltura ..... 93
  - 15.3. Estado de los cables y terminales ..... 93
- 16. Tratamiento de residuos..... 94

# 1. Información sobre este manual

El propósito de este manual es describir el inversor INGECON SUN 110TL M9 y dar la información adecuada para su correcta recepción, instalación, puesta en marcha, mantenimiento y operación.

## 1.1. Destinatarios

El presente documento está orientado a personal cualificado.




La condición de personal cualificado a la que se refiere este manual, será como mínimo aquella que satisfaga todas las normas, reglamentos y leyes en materia de seguridad aplicables a los trabajos de instalación y operación de este equipo.

La responsabilidad de designar al personal cualificado siempre recaerá sobre la empresa a la que pertenezca este personal, debiendo decidir qué trabajador es apto o no para realizar uno u otro trabajo para preservar su seguridad a la vez que se cumple la legislación de seguridad en el trabajo.

Dichas empresas son responsables de proporcionar una adecuada formación en equipos eléctricos a su personal, y a familiarizarlo con el contenido de este manual.

## 1.2. Simbología

A lo largo de este manual se incluyen avisos para enmarcar información que desea ser resaltada. En función de la naturaleza del texto contenido existen tres tipos de avisos:

 <b>PELIGRO</b>	Indica riesgos para la integridad del personal o del inversor.
 <b>ATENCIÓN</b>	Indicación de carácter importante.
 <b>INFO</b>	Información adicional o referencias a otras partes del documento o a otros documentos.

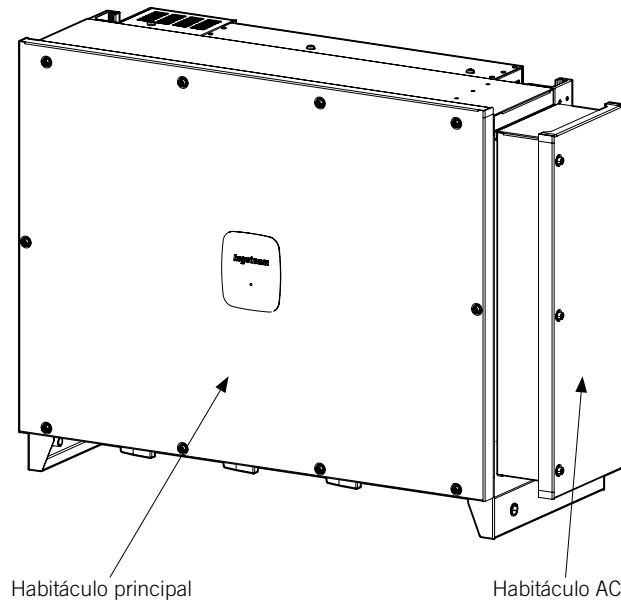
## 2. Descripción del equipo

### 2.1. Visión general

La finalidad básica de este inversor es transformar la corriente continua generada por los hasta nueve campos fotovoltaicos en corriente alterna para su inyección a la red eléctrica.

Asimismo su función es buscar los puntos de máxima potencia de dichos campos fotovoltaicos y cumplir con los requisitos necesarios de las diferentes normativas de soporte a la red eléctrica.

Estos inversores tienen dos partes diferenciadas: el habitáculo principal y el habitáculo AC.



#### **⚠ ATENCIÓN**

Todas las tareas necesarias para el correcto uso y mantenimiento del inversor se realizarán en el habitáculo AC. El habitáculo principal no debe abrirse en ninguna circunstancia. En caso de apertura la garantía quedaría anulada.

Estos inversores no disponen de transformador para la conexión de campos fotovoltaicos aislados a la red eléctrica.

Alguna de las características principales de estos inversores:

- Medición de corrientes de entrada de MPPT.
- Seccionador DC.
- Descargadores de sobretensión DC y AC tipo 2.

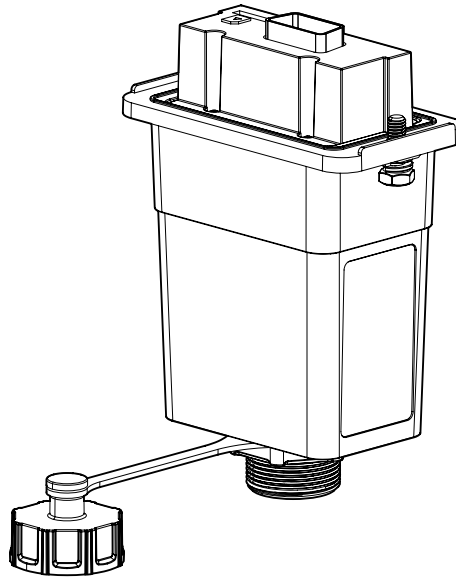
Disponen de los siguientes buscadores del punto de máxima potencia en la entrada DC. La conexión se realiza mediante conectores rápidos.

Entrada DC	IS 110TL M9
Nº de buscadores del punto de máxima potencia	9
Nº pares de conectores rápidos	18



## 2.2. Comunicaciones equipadas de serie

Estos inversores disponen de un dongle para la comunicación mediante Ethernet o Wi-Fi. Se conectará al inversor en el puerto *COM1*.



## 2.3. Seguridad eléctrica

A continuación se dan a conocer magnitudes de diseño interesantes para la seguridad eléctrica.

### 2.3.1. Categoría de sobretensión (OVC)

Estos equipos cumplen con las normas *IEC 62109-1* e *IEC 62109-2*.

El circuito AC se ha diseñado con una categoría de sobretensión II (OVC II). El circuito DC se ha diseñado con una categoría de sobretensión I (OVC I).

## 2.4. Grado de contaminación

Los equipos cumplen con el grado de contaminación 3 requerido para este tipo de inversores.

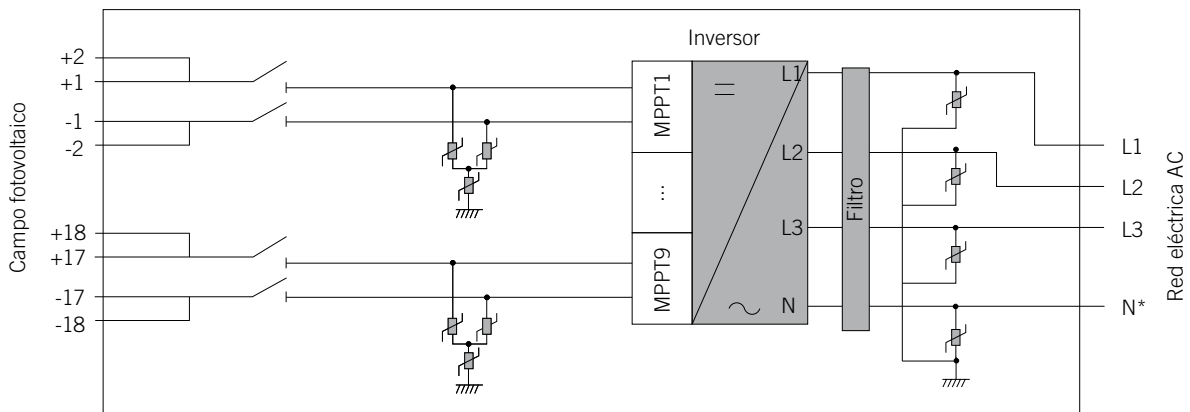
## 2.5. Contaminación acústica

El funcionamiento de este equipo genera un zumbido. No ubicarlos en una estancia habitada, o sobre soportes ligeros que puedan amplificar ese zumbido. La superficie de montaje debe ser firme y adecuada al peso del equipo.

## 2.6. Esquema eléctrico del sistema

**INFO**

Estos equipos emplean el terminal de neutro únicamente con fines de medición, siendo posible trabajar sin cable de neutro, permanecer conectado a red e inyectar la potencia del campo fotovoltaico. No obstante existen normativas que exigen la vigilancia de la tensión de fase de la red, bien sea durante el funcionamiento normal o bien durante transitorios de red. En este caso la no inclusión del cable de neutro puede implicar un incumplimiento de los requisitos de dichas normativas.



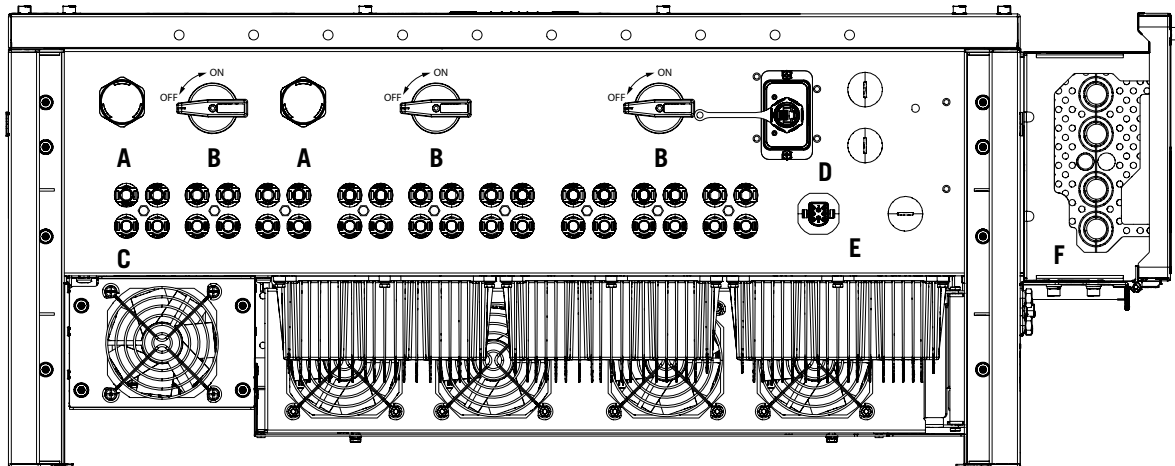
\* opcional

## 2.7. Tabla de características

110TL M9	
<b>Entrada DC</b>	
Rango de potencia recomendado del módulo fotovoltaico	113,3 ~ 165 kWp
Rango de tensión de MPPT	200 ~ 1000 V
Tensión máxima	1100 V
Tensión de entrada nominal	600 V
Tensión de arranque / Tensión de funcionamiento mín.	250 V / 200 V
Corriente de cortocircuito máxima	3*50 A + 6*45 A
Corriente máxima	3*40 A + 6*32 A
Entradas con conectores fotovoltaicos	18 (9*2)
Número de MPPT	9
<b>Salida AC</b>	
Potencia nominal	110 kW
Potencia aparente máxima <sup>(1)</sup>	123 kVA
Potencia activa máxima (PF=1) <sup>(1)</sup>	121 kW
Corriente de salida máxima	187 A
Tensión nominal	400 V
Rango de tensión <sup>(2)</sup>	322 V ~ 520 V (regulable)
Frecuencia	50 / 60 Hz
Tipo de red	TT, TN, IT
Factor de potencia regulable	Sí. 0 ~ 1 (avance / retroceso)
<b>Eficiencia</b>	
Eficiencia máxima	98,2%
Euroeficiencia	97,8%
<b>Información general</b>	
Sistema de refrigeración	Ventilación forzada
Consumo nocturno	<10 W
Temperatura de funcionamiento	-25 °C ~ 60 °C
Humedad relativa (sin condensación)	0 ~ 100%
Grado de protección	IP66
Marcado	CE
Emisiones acústicas	< 65 dB
Altitud máxima de la instalación	4000 m
Peso	92 kg
Medidas (alto x ancho x fondo)	678 x 936 x 365 mm
Normas de compatibilidad electromagnética y seguridad	EN 61000-6-2, EN 61000-6-4, EN 62109-1, EN 62109-2
Normativa de conexión a red	IEC 61727:2004, IEC 62116:2014, EN 50549-1:2019, EN 50549-2:2019, UNE 217002:2020, UNE 217001:2020, NTS SEPE 2.1 type B, CEI 0-21 v1 November 2022 (including Allegato B), CEI 0-16 v1 November 2022 (including Allegato N), VDE-AR-N 4105:2018

<sup>(1)</sup> En España, según a la normativa española, la potencia activa máxima será la misma que la potencia nominal. <sup>(2)</sup> El rango de tensión y frecuencia de salida puede variar en función de los distintos códigos de red.

## 2.8. Descripción de accesos de cableado



- A. Válvulas anticorrosión
- B. Seccionadores DC
- C. Conectores rápidos DC

- D. COM1 para dongle de comunicaciones (Ethernet/Wi-Fi)
- E. COM4
- F. Cableado AC

## 3. Recepción del equipo y almacenamiento

### 3.1. Recepción

Mantener el embalaje colocado hasta inmediatamente antes de su instalación.

### 3.2. Identificación del equipo

El número de serie del equipo lo identifica de forma inequívoca. En cualquier comunicación con Ingeteam se debe hacer referencia a este número.

El número de serie del equipo viene reflejado en la placa de características.

### 3.3. Daños en el transporte

Si durante el transporte el equipo ha sufrido daños actuar en el siguiente orden:

1. No proceder a la instalación.
2. Notificar este hecho inmediatamente al distribuidor dentro de los cinco días posteriores a la recepción del equipo.

Si finalmente fuese necesario devolver el equipo al fabricante, se deberá usar el mismo embalaje en el que se recibió.

### 3.4. Almacenamiento

#### ATENCIÓN

El incumplimiento de las instrucciones dadas en esta sección puede causar daños en el equipo.

Ingeteam no asume ninguna responsabilidad por daños derivados del incumplimiento de estas instrucciones.

Si el equipo no es instalado inmediatamente después de su recepción, se deberán tener en cuenta los siguientes puntos con el fin de evitar su deterioro:

- El equipo se debe almacenar en su embalaje original y en posición vertical, teniendo en cuenta que no está permitido su apilamiento.
- Mantener el equipo libre de suciedad (polvo, virutas, grasa, etc.), así como de roedores.
- Evitar que reciba proyecciones de agua, chispas de soldaduras, etc.
- Cubrir el equipo con un material protector transpirable con el fin de evitar condensación debida a la humedad ambiental.
- Los equipos almacenados no deberán estar sometidos a condiciones climáticas diferentes a las indicadas en el apartado [“2.7. Tabla de características”](#).
- Es muy importante proteger el equipo frente a productos químicos que puedan producir corrosión, así como de ambientes salinos.
- No almacenar el equipo a la intemperie.

### 3.5. Conservación

Con el fin de permitir una correcta conservación de los equipos, no debe retirarse el embalaje original hasta el mismo momento de su instalación.

Se recomienda, en caso de almacenamiento prolongado, que este se realice en lugares secos, evitando, en lo posible, cambios bruscos de temperatura.

El deterioro del embalaje (cortes, agujeros, etc.) hace que los equipos no se mantengan en óptimas condiciones antes de su instalación. Ingeteam no se hace responsable en caso de incumplirse esta condición.

## 4. Transporte del equipo

El equipo se debe transportar en posición vertical, protegido durante su transporte de golpes mecánicos, vibraciones, proyecciones de agua (lluvia) y cualquier otro producto o situación que pueda dañar o alterar su comportamiento. La no observancia de estas instrucciones puede causar la pérdida de la garantía en el producto, de la cual Ingeteam no es responsable.

### 4.1. Transporte

#### Transporte mediante transpaleta o carretilla elevadora

Se deberán observar al menos las siguientes prescripciones:

1. Depositar los equipos embalados centrados respecto a las uñas.
2. Procurar colocarlos lo más cerca de la unión de las uñas con el tirador.
3. Asegurarse que las pinzas están perfectamente niveladas para evitar posibles vuelcos del equipo.
4. En cualquier caso, respetar el manual de utilización de la transpaleta o carretilla elevadora.

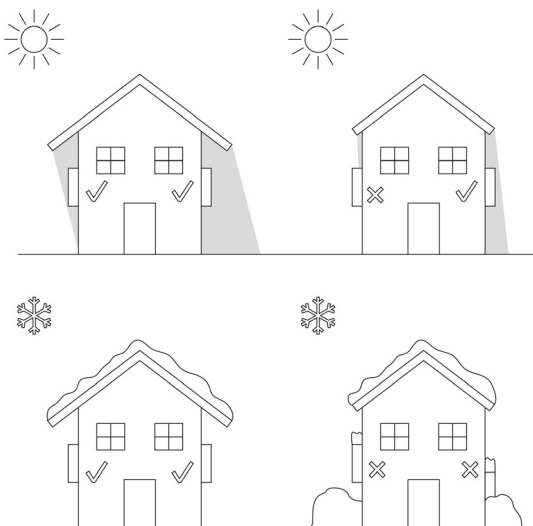
Una vez que el equipo se ha transportado al lugar donde se va a ubicar, y solamente cuando se vaya a instalar, se desembalará el equipo.

## 5. Preparación para la instalación del equipo

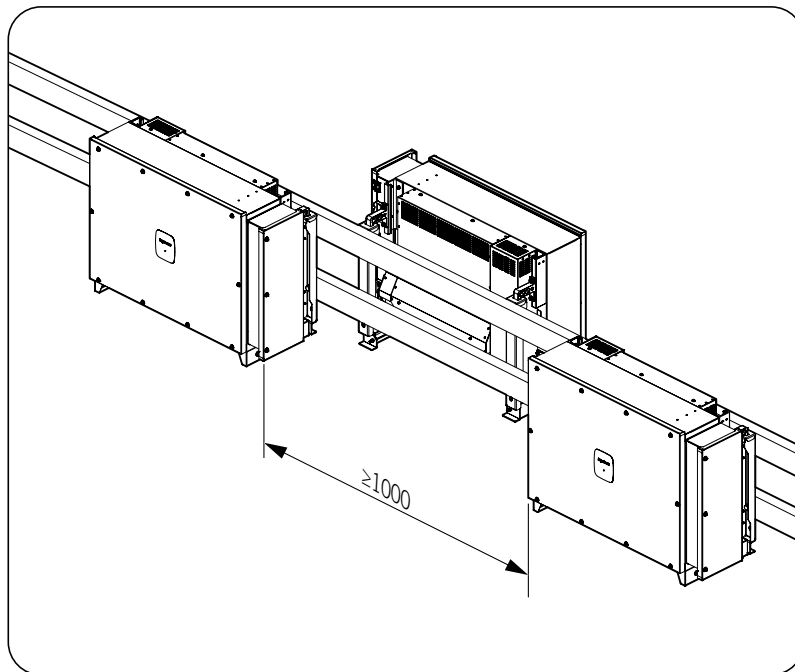
A la hora de decidir la ubicación del equipo y planificar su instalación, se deberán seguir una serie de pautas derivadas de las características del mismo. En este capítulo se resumen estas pautas.

### 5.1. Entorno

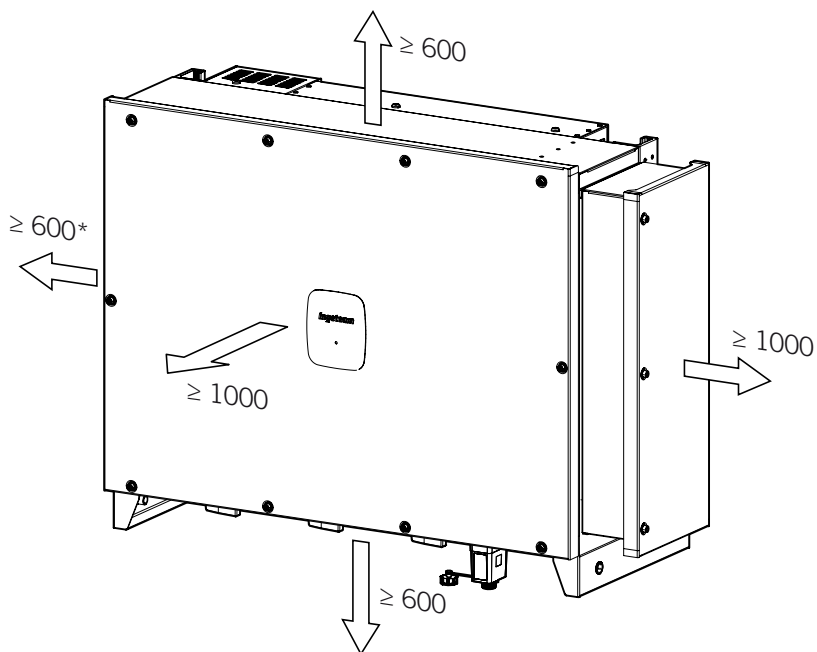
- Estos equipos pueden ser instalados en interiores y exteriores.
- Colocar los equipos en un lugar accesible a los trabajos de instalación y mantenimiento, y que permita el acceso al panel de control.
- Evitar ambientes corrosivos que puedan afectar al correcto funcionamiento del inversor.
- No dejar objetos apoyados sobre el equipo o en sus laterales, pueden entorpecer la ventilación y sufrir altas temperaturas.
- Los inversores no deben exponerse a la irradiación solar directa.
- No instalar los equipos en estancias habitadas debido al ruido provocado por su funcionamiento.
- En caso de instalar los equipos dentro de un habitáculo cerrado (habitación, caseta, etc.) proveer una correcta ventilación. El rango de funcionamiento de los equipos depende de su temperatura ambiente por lo que una ventilación deficiente puede llevar a una limitación de sus capacidades.



- Si se instala más de un inversor se debe asegurar que la extracción de aire caliente de unos no interfiera en la correcta ventilación de otros. Es necesario dejar una separación lateral entre ellos de al menos 1000 mm.



- Mantener libre de obstáculos las siguientes distancias mínimas.



\* En caso de que se ubiquen varios inversores contiguos la distancia mínima entre ellos será de 1000 mm.

## 5.2. Condiciones medioambientales

Se deberán tener en cuenta las condiciones ambientales de operación del equipo indicadas en el apartado [“2.7. Tabla de características”](#) para elegir su ubicación.

Conviene tener en cuenta que, ocasionalmente, podría producirse una condensación moderada como consecuencia de las variaciones de temperatura. Por esta razón, y al margen de la propia protección del equipo, se hace



necesaria una vigilancia de estos equipos, una vez puestos en marcha en aquellos emplazamientos en los que se sospeche no vayan a darse las condiciones anteriormente descritas.

Con condensación, no aplicar nunca tensión al equipo.

### 5.3. Superficie de apoyo y anclaje

Estos inversores deben instalarse verticalmente.

Se deberá reservar una pared o estructura sólida para amarrar el equipo, debiéndose poder taladrar e incorporar elementos de sujeción aptos para soportar el peso del equipo.

### 5.4. Protección de la conexión a la red eléctrica

Es necesaria la instalación de elementos de protección en la conexión del inversor a la red eléctrica.

#### Interruptor magnetotérmico

Es necesaria la instalación de un interruptor magnetotérmico y/o fusible en la conexión del inversor a la red eléctrica.

La siguiente tabla aporta los datos necesarios para la selección de ese dispositivo por el instalador.

Corriente máxima del inversor	Corriente nominal del magnetotérmico
187 A	250 A

A la hora de seleccionar la protección en una instalación se deberá tener en cuenta que el poder de corte de la misma sea superior a la corriente de cortocircuito del punto de conexión a la red.

Se debe tener en cuenta en la correcta elección de la protección que la temperatura ambiente de trabajo influye en la corriente máxima admitida por dichas protecciones según indique el fabricante.

#### Interruptor diferencial

Si la normativa actual del país de la instalación requiere de una protección diferencial entre el inversor y la red eléctrica, esta deberá ser mayor que 1230 mA.

### 5.5. Tipo de red

Estos equipos pueden conectarse a redes trifásicas del tipo IT, TT y TN.

### 5.6. Longitud del cableado

El inversor mide la tensión en sus bornes de conexión, por esta razón el instalador deberá emplear un cable AC con una impedancia suficientemente baja para que el aumento de tensión en el cable (entre el transformador de distribución y el equipo) no provoque la desconexión del equipo por tensión alta.

### 5.7. Paneles fotovoltaicos

Los paneles fotovoltaicos de la instalación deben ser de clase A (*IEC 61730*). Estos equipos no admiten el aterramiento de los paneles fotovoltaicos, por lo que el polo positivo y el polo negativo del campo fotovoltaico no se han de conectar a tierra. De lo contrario el inversor dará un fallo de aislamiento.

Sin embargo, la estructura metálica en la que se sujetan los paneles fotovoltaicos y/o el marco metálico del panel sí que pueden estar conectados a tierra.

### 5.8. Sistema de desconexión externo

Para labores de inspección del equipo es necesario quitar tensión de alimentación DC y AC. Para ello el instalador deberá instalar un sistema de desconexión externo.

## 6. Instalación del equipo

Deberá cerciorarse de la inexistencia de condensación en el interior del embalaje. Si existieran signos de condensación, no se deberá instalar el equipo hasta asegurarse que está completamente seco.

### ⚠ ATENCIÓN

Todas las operaciones de instalación deben mantener observancia con el reglamento vigente.

Todas las operaciones que impliquen movimiento de pesos elevados se deberán llevar a cabo con la ayuda de los medios de asistencia mecánica necesarios (grúa, polipasto, etc.).

En caso de que la instalación fotovoltaica se ubique en Francia se deberán pegar firmemente en cada inversor las pegatinas indicadas en las normas C18-510 y C15-712-1/2/3.

### 6.1. Requerimientos generales de instalación

- El entorno del equipo deberá ser el adecuado, satisfaciendo las pautas descritas en el capítulo “5. Preparación para la instalación del equipo”. Además, los elementos empleados en el resto de la instalación deberán ser compatibles con el equipo y con el cumplimiento de la legislación aplicable.
- La ventilación y el espacio de trabajo deberán ser los adecuados para las labores de mantenimiento según reglamento aplicable vigente.
- Los dispositivos exteriores de conexión deberán ser adecuados y estarán lo suficientemente cerca según se establece en el reglamento vigente.
- Los cables de acometida deberán tener la sección adecuada a la intensidad máxima.
- Se tendrá especial cuidado para que no existan elementos exteriores próximos a las entradas y salidas de aire que impidan la correcta refrigeración del equipo, respetando las distancias indicadas en el apartado “5.1. Entorno”.

### 6.2. Fijación del equipo en pared

#### ⚠ ATENCIÓN

Estos inversores admiten la instalación en pared o mediante soporte de montaje. La pared o estructura sobre la que se instale debe ser capaz de soportar el peso del mismo.

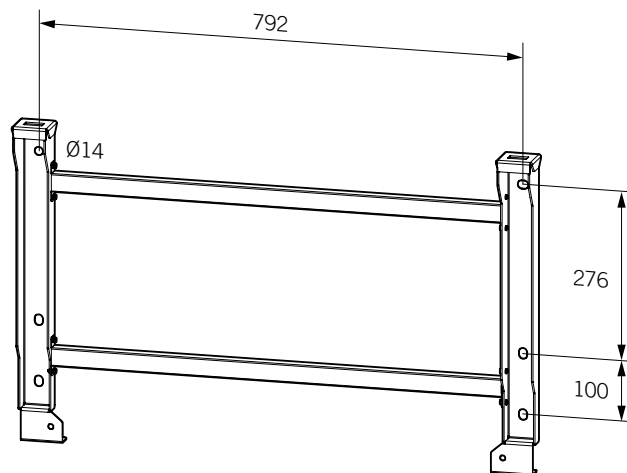
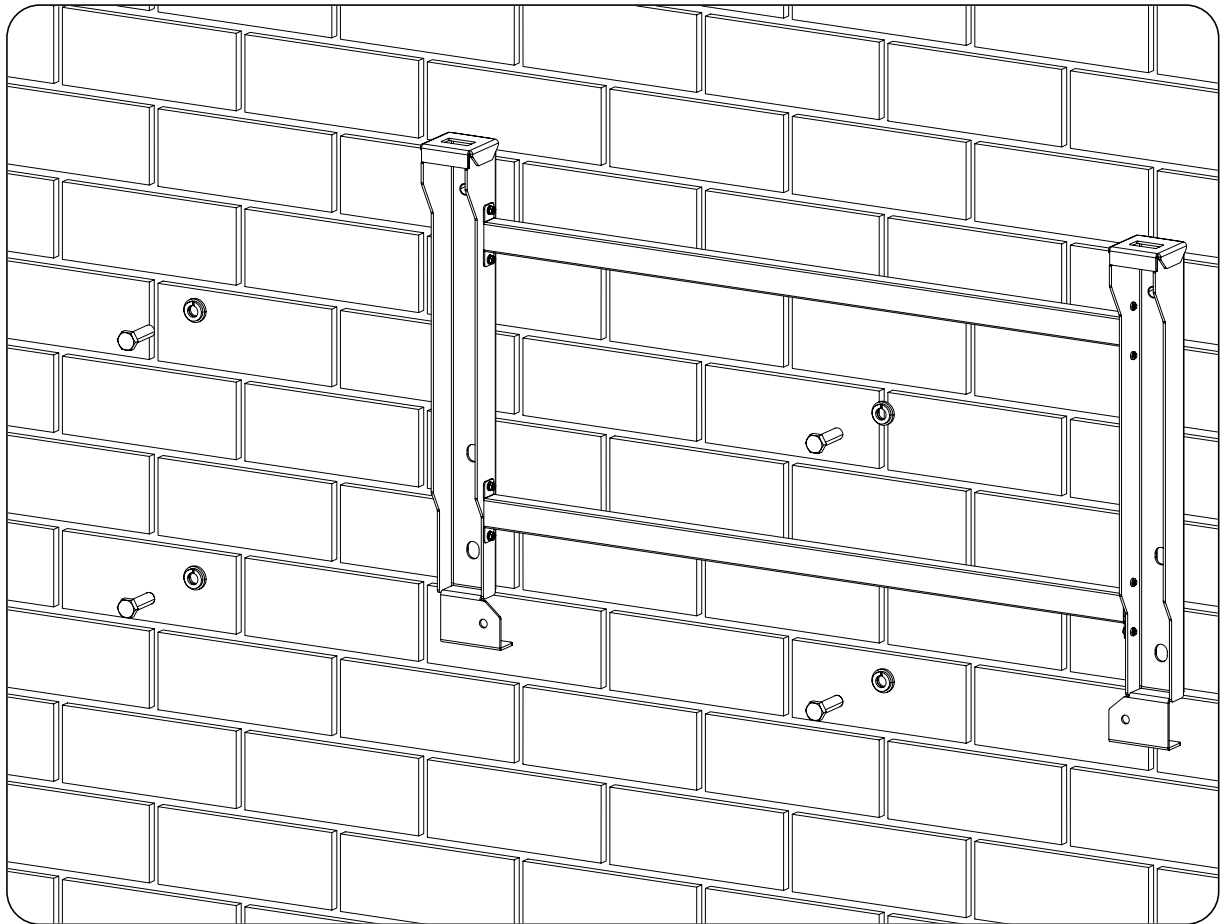
En caso de instalación en pared, la capacidad de carga de dicha pared deberá ser superior a 10 KN/m<sup>2</sup>, y se utilizarán pernos de expansión de acero inoxidable M12x60 mm.

Estos equipos disponen de un sistema de anclaje a la pared mediante pletina. A continuación se detallan los pasos para fijar el equipo correctamente. Se deberá tener en cuenta el peso del equipo.

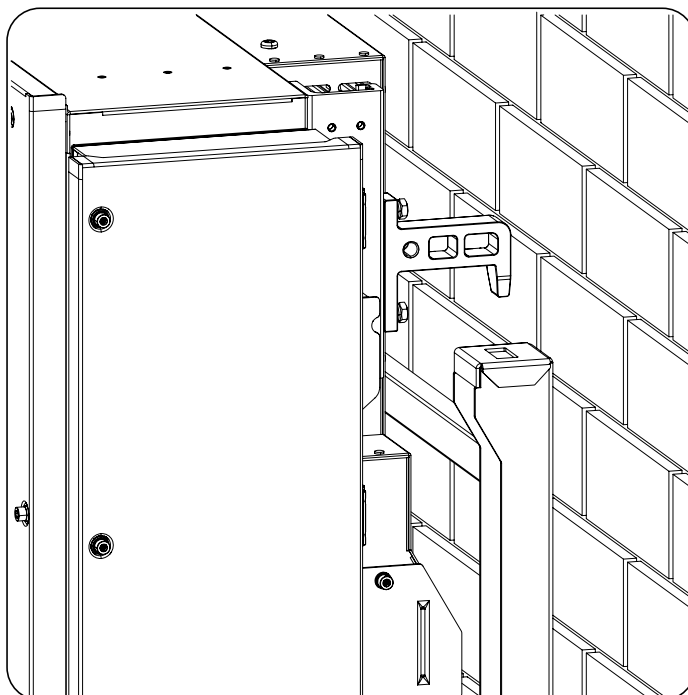
La pletina de amarre superior de los equipos soporta el peso. Los puntos inferiores fijan el inversor a la pared y evita vibraciones.

1. Colocar la pletina en la pared, con la ayuda de un nivel para garantizar la horizontalidad, y marcar los agujeros.
2. Realizar los taladros con una broca adecuada a la pared y a los elementos de sujeción que se utilizarán posteriormente para fijar el inversor. Los orificios de la pletina e inversor tienen un diámetro de 14 mm.

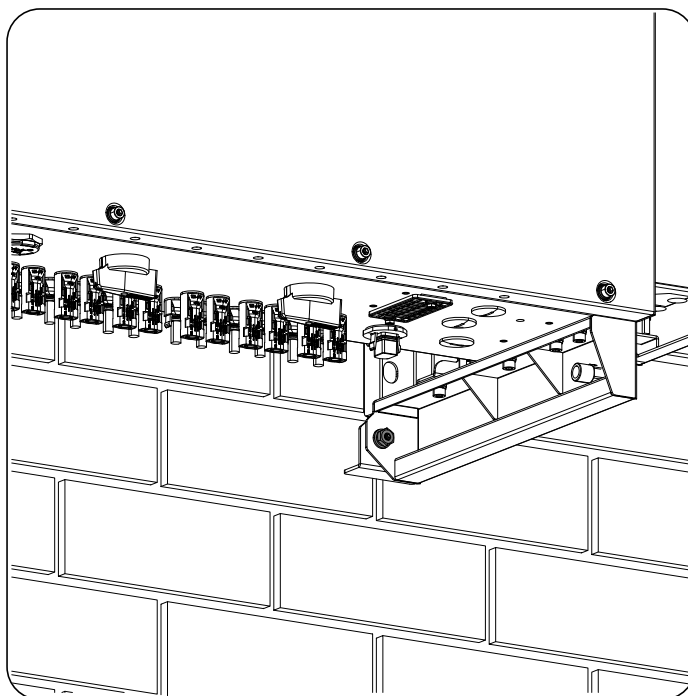
3. Fijar la pletina mediante elementos de sujeción apropiados para la pared o estructura sobre la que se instale, teniendo en cuenta las medidas indicadas a continuación.



4. Colgar el equipo de la pletina.



5. Atornillar los dos tornillos M8 inferiores aplicando un par de 12 Nm.



6. Verificar que el equipo ha quedado bien asegurado.

Una vez el equipo se ha instalado correctamente, se iniciará el proceso de conexión de éste.

Conectar las conexiones en el siguiente orden:

1. Conexión de la protección externa de tierra.
2. Conexión de comunicaciones.
3. Conexión de AC.

## 4. Conexión de DC.

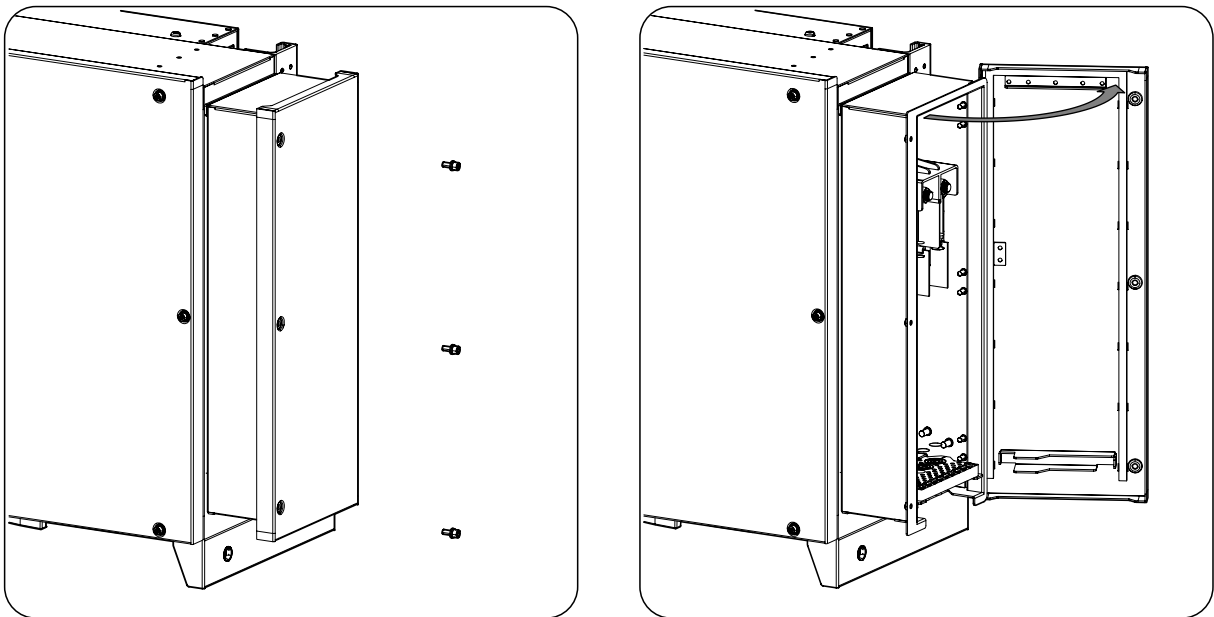
**⚠ ATENCIÓN**

Es obligatorio seguir el orden descrito anteriormente. No alimentar hasta que se hayan realizado todas las conexiones.

**6.3. Apertura y cierre de la envolvente****⚠ ATENCIÓN**

En condiciones normales de uso no se debe abrir el habitáculo principal.

Para acceder al habitáculo AC retirar los tornillos M6 y abrir la tapa tal y como se muestra a continuación.



Tras realizar las diferentes conexiones explicadas en los siguientes apartados se deberá cerrar el equipo antes de proceder a la puesta en marcha. Para realizar el cierre de la envolvente se deberán atornillar los tornillos indicados anteriormente aplicando un par de 4 Nm.

Verificar el correcto cierre del equipo antes de iniciar la puesta en marcha.

## 7. Conexión de la protección externa de tierra

A lo largo de este capítulo se explican los requerimientos y el proceso para conectar el cableado de tierra en el equipo.

Leer detenidamente antes de iniciar el proceso de conexión.

### **i** INFO

Consultar el apartado *“Condiciones importantes de seguridad”* y las siguientes indicaciones antes de operar en el equipo.

### 7.1. Indicaciones de seguridad para la conexión de la protección externa de tierra

#### **⚠ PELIGRO**

Asegurar la ausencia de tensión en el equipo y que la conexión DC no se ha realizado antes de iniciar la conexión de tierra.

**No alimentar** el equipo hasta que se hayan completado con éxito el resto de conexiones.

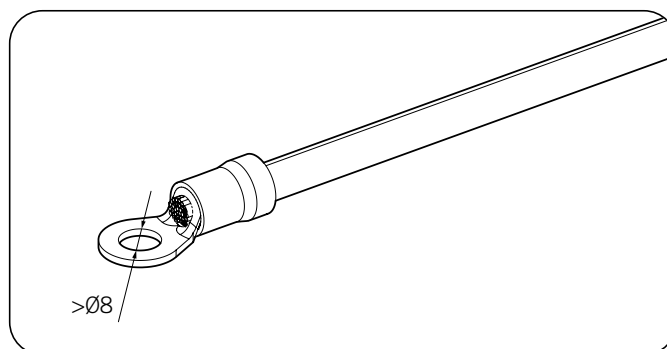
Utilizar el Equipo de Protección Individual especificado en el apartado *“Equipo de Protección Individual (EPI)”*.

#### **⚠ ATENCIÓN**

Ingeteam no se responsabiliza de los daños derivados de una conexión incorrecta.

### 7.2. Requisitos del cableado para la conexión de la protección externa de tierra

	110TL M9
Sección del cableado	70 ~ 240 mm <sup>2</sup>
Material del cableado	Cobre
Tipo de terminal	Redondo o de anilla
Agujero roscado en el inversor	M8
Par de apriete	7 Nm



El dimensionado del cableado de tierra será responsabilidad del instalador y deberá atender a los requerimientos normativos aplicables en la instalación.

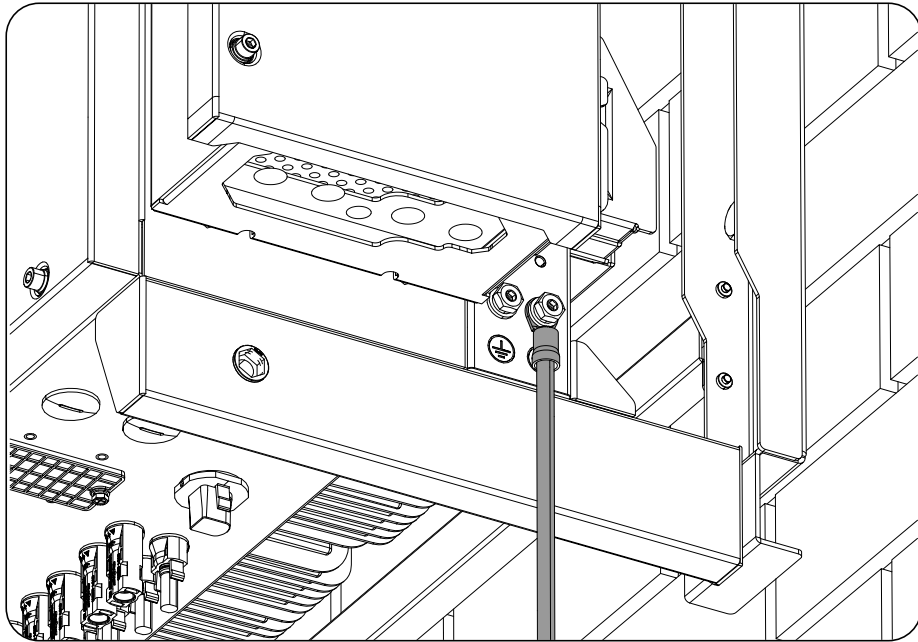
## 7.3. Proceso de conexión de la protección externa de tierra

### **⚠ ATENCIÓN**

Conectar la protección externa a tierra no implica que la conexión de PE en la parte AC no sea obligatoria. Es necesario que ambas se encuentren bien conectadas y puestas a tierra.

Ingeteam no se responsabiliza de las consecuencias derivadas de no cumplir esta indicación.

Conectar el terminal mediante tornillo y arandela suministrados en el agujero roscado destinado a tal efecto.



## 8. Conexión de comunicaciones

A lo largo de este capítulo se explica el proceso para conectar las comunicaciones del inversor.

Leer detenidamente antes de iniciar el proceso de conexión.

### 8.1. Indicaciones de seguridad para la conexión de comunicaciones

#### ⚠ PELIGRO

Asegurar la ausencia de tensión en el equipo antes de iniciar la conexión.

**No alimentar** el equipo hasta que se hayan completado con éxito el resto de conexiones.

Utilizar el Equipo de Protección Individual especificado en el apartado *“Equipo de Protección Individual (EPI)”*.

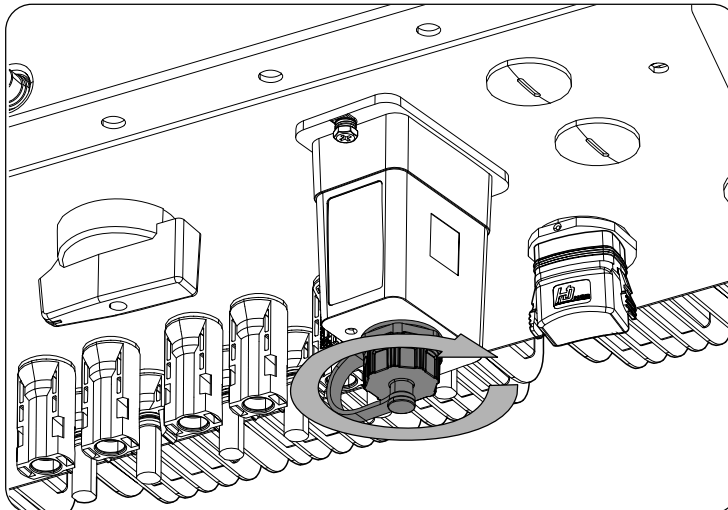
#### ⚠ ATENCIÓN

Ingeteam no se responsabiliza de los daños derivados de una conexión incorrecta.

Una vez conectado el dongle de comunicaciones, y en caso de no usar el conector Ethernet, es necesario cerrar la tapa roscada del conector.

Asimismo las tapas del resto de conectores de comunicaciones deberán permanecer instaladas.

Ingeteam no se responsabiliza de las consecuencias derivadas de no cumplir estas directrices.



*Tapa roscada para el conector Ethernet*

### 8.2. Conexión de la comunicación vía Ethernet

Es posible comunicar un inversor vía Ethernet.

#### 8.2.1. Requisitos del cableado

Para la comunicación Ethernet utilizar un cable de 4 a 6 mm de diámetro.

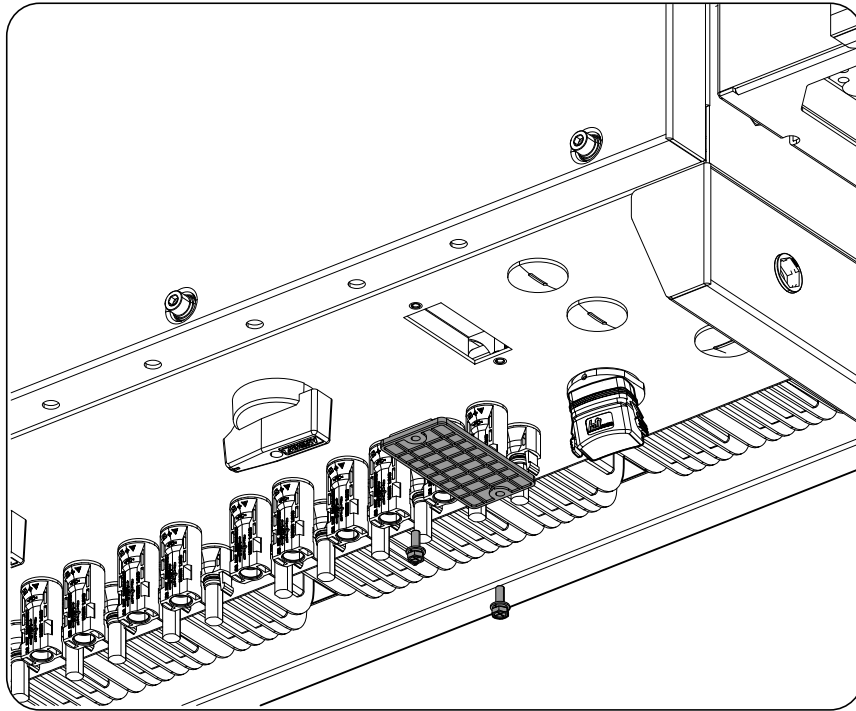
#### 8.2.2. Proceso de conexión

##### **i** INFO

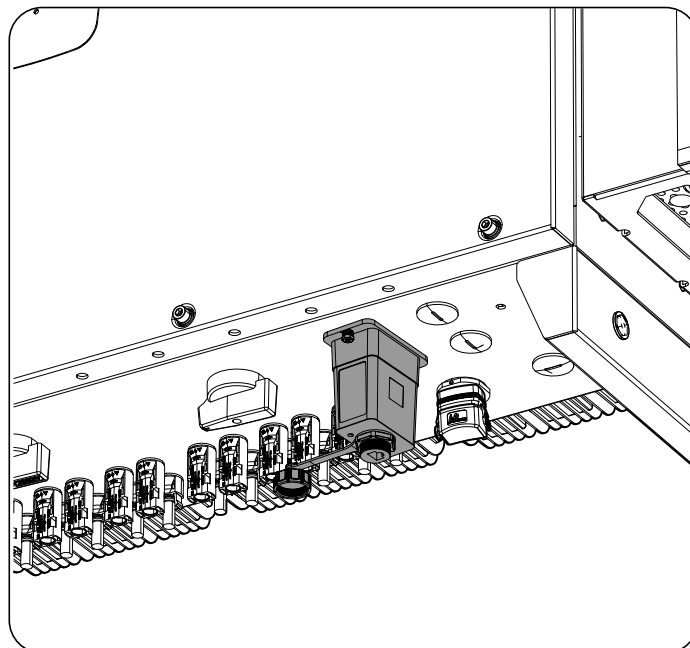
El dongle de comunicaciones está diseñado para poder conectar el cable de Ethernet manteniendo el grado de IP del inversor.



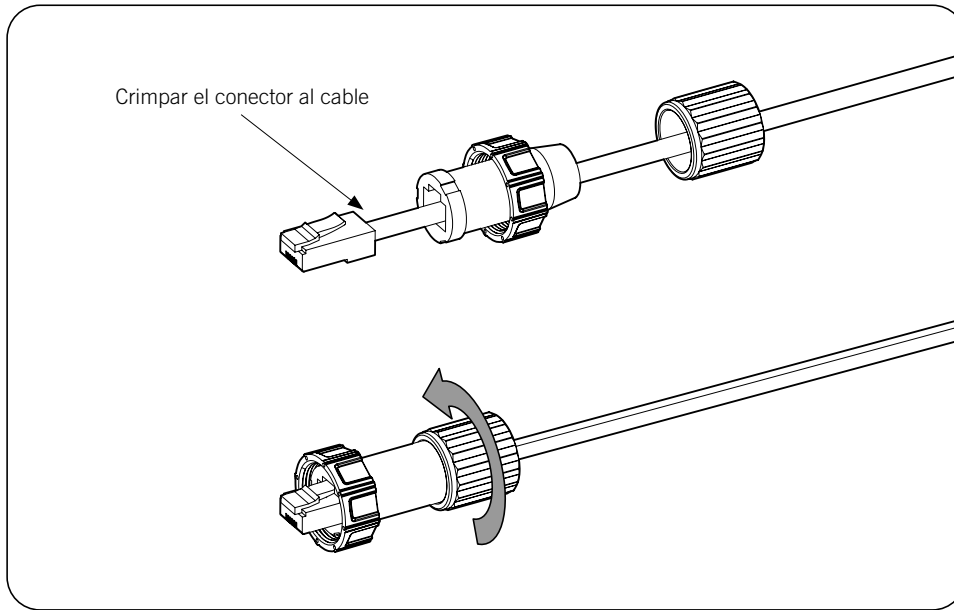
1. Retirar la tapa de protección de *COM1*.



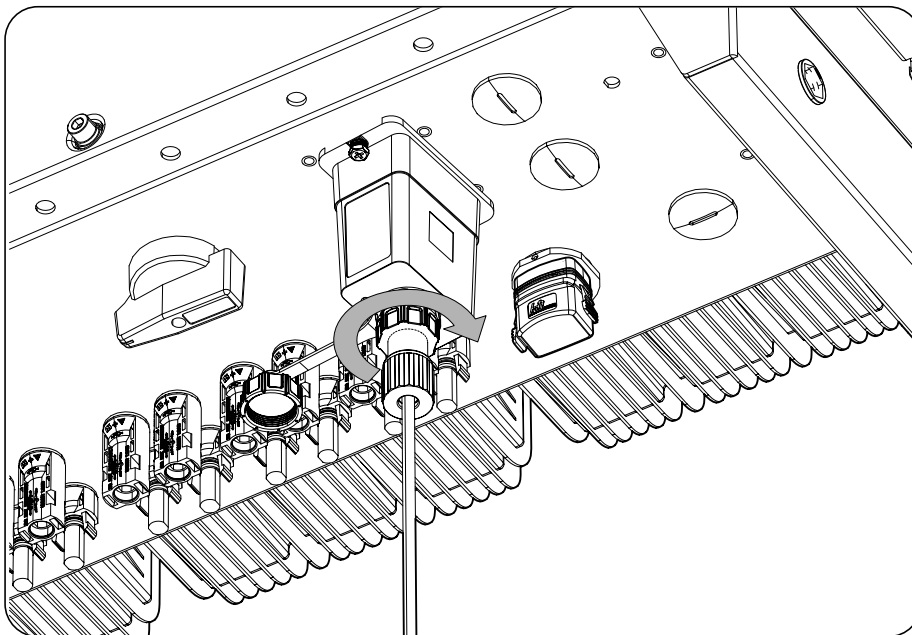
2. Conectar el dongle de comunicaciones Ethernet/Wi-Fi, asegurándolo mediante dos tornillos (par de apriete 0,8 Nm).



3. Para asegurar el grado de protección es necesario utilizar el conector suministrado junto al inversor.



4. Conectar el cableado de Ethernet.



### 8.3. Conexión vía Wi-Fi

**⚠ ATENCIÓN**

En caso de utilizar la conexión Wi-Fi y de no utilizar la conexión de Ethernet, la toma de conexión Ethernet deberá permanecer cerrada mediante la tapa dispuesta para asegurar el grado de protección.

Consultar el apartado [“12.3. Conectar el inversor a una red Wi-Fi”](#).

### 8.4. Conexión de la comunicación del puerto COM4

La comunicación por RS-485 está configurada por defecto para ser un esclavo Modbus con una ID de 01. Esta dirección puede ser modificable.

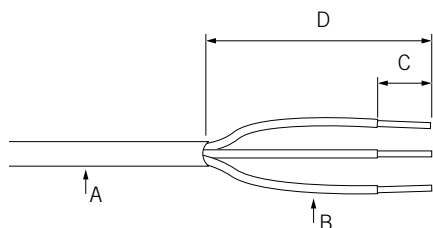
Para que la comunicación sea con un vatímetro, se debe configurar el modelo de vatímetro que se va a conectar. Véase el documento ACL2010IMB03 - Lista de vatímetros homologados para Ingecon Sun 110TL M9.

**⚠ ATENCIÓN**

En caso de no utilizar conexión por RS-485, la tapa de COM4 deberá permanecer instalada.

### 8.4.1. Requisitos del cableado

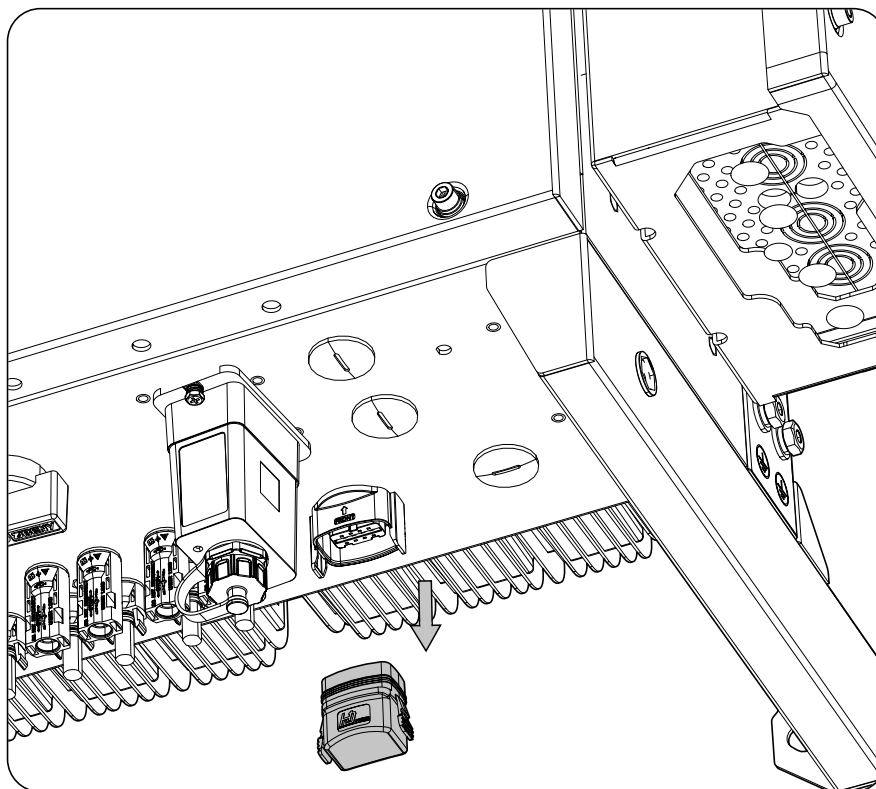
Las características del cableado para la conexión RS-485 se especifican en la siguiente tabla:



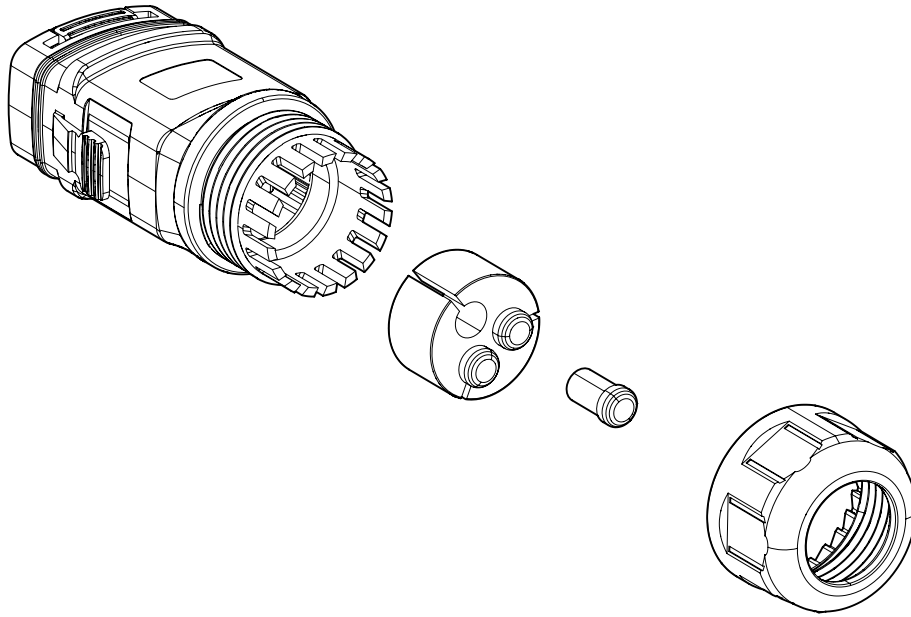
A	B	C	D
Diámetro	Sección	Longitud	Longitud
12 ~ 14 mm	0,50 mm <sup>2</sup> ~ 0,75 mm <sup>2</sup>	7 ~ 8 mm	31 ~ 35 mm

### 8.4.2. Proceso de conexión

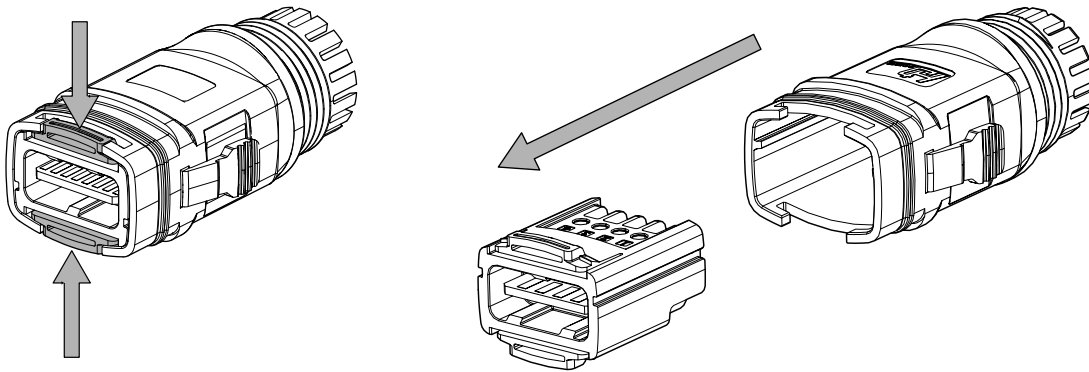
1. Retirar la tapa de protección del conector COM4 del inversor.



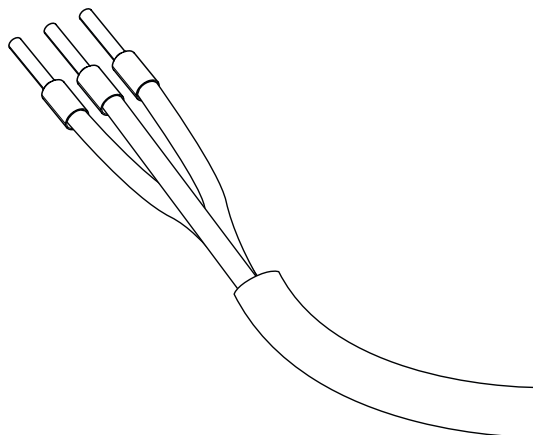
2. Soltar la rosca trasera del conector aéreo y retirar uno de los tapones de la goma de apriete.



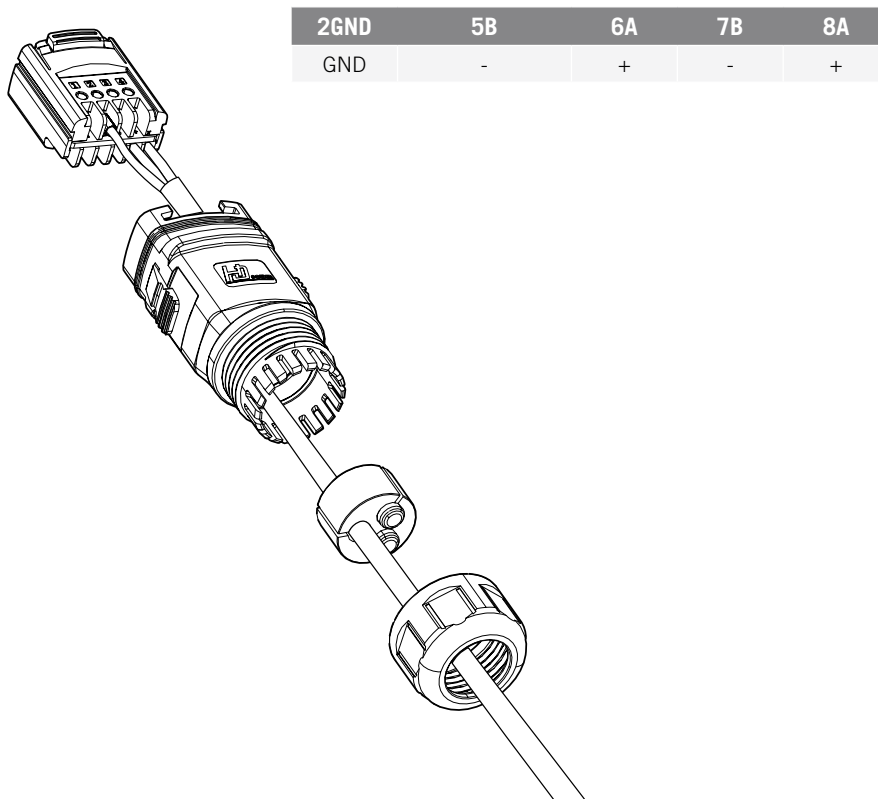
3. Retirar la carcasa del conector aéreo para acceder a la zona de conexiones.



4. Crimpar los 3 cables

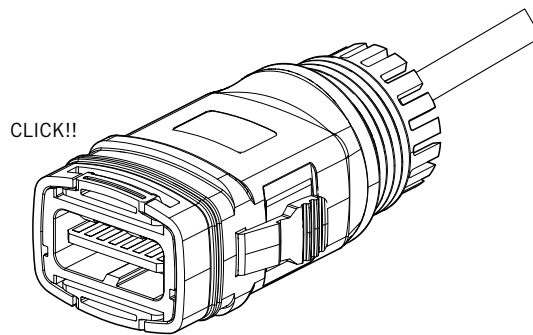


5. Conectar los pines 2, 5 y 6 en la zona de conexiones del conector aéreo. Aplicar un par de apriete de 1,2 Nm.

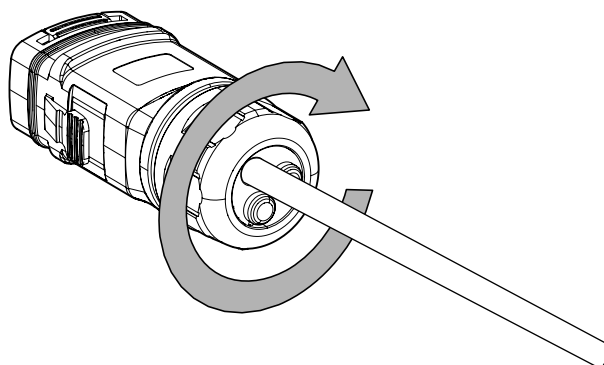


El conector tiene los pines positivos, negativos de la comunicación RS-485 duplicados para poder continuar a otro nodo si fuera necesario. En caso de una única comunicación usar solo los pines 2, 5 y 6.

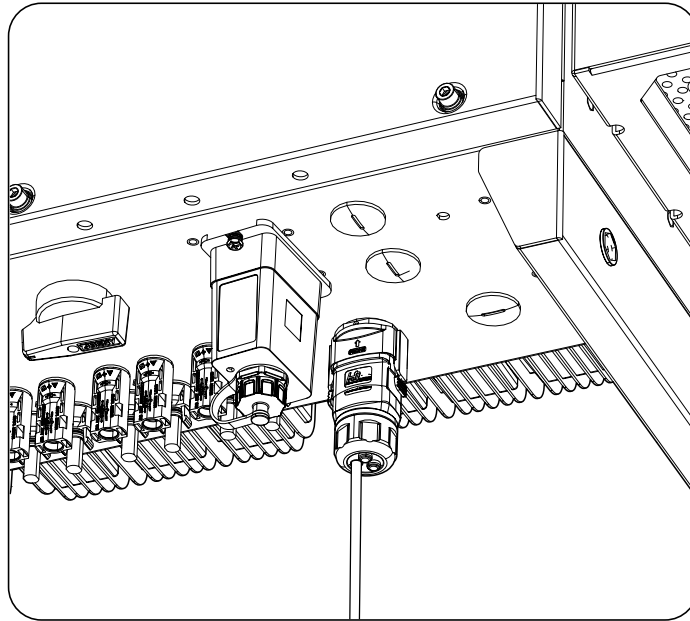
6. Volver a montar la carcasa del conector. Cuando esté bien insertada sonará un click.



7. Apretar la tuerca trasera del conector.



8. Conectar el aéreo en el conector COM4 del inversor.



## 9. Conexión de AC

A lo largo de este capítulo se explican los requerimientos y el proceso para conectar el cableado de AC en el equipo.

Leer detenidamente antes de iniciar el proceso de conexión.

### INFO

Consultar el apartado *“Condiciones importantes de seguridad”* y las siguientes indicaciones antes de operar en el equipo.

Para ampliar información sobre la conexión del inversor dentro de la instalación consultar el apartado *“2.6. Esquema eléctrico del sistema”*.

### 9.1. Indicaciones de seguridad para la conexión de AC

#### PELIGRO

Asegurar la ausencia de tensión en el equipo y que la conexión DC no se ha realizado antes de iniciar la conexión AC.

**No alimentar** el equipo hasta que se hayan completado con éxito el resto de conexiones.

Utilizar el Equipo de Protección Individual especificado en el apartado *“Equipo de Protección Individual (EPI)”*.

Respetar la polaridad del cableado AC.

#### ATENCIÓN

Ingeteam no se responsabiliza de los daños derivados de una conexión incorrecta.

Las comunicaciones de este inversor se alimentan también desde la parte AC.

### 9.2. Requisitos del cableado para la conexión de AC

Para garantizar la seguridad de las personas, para el correcto funcionamiento del equipo y para cumplir la normativa aplicable, el equipo debe de conectarse a la tierra de la instalación.

Si el inversor y el punto de conexión a red están separados por una distancia que requiera el uso de cables con sección mayor se recomienda emplear una caja de distribución externa, cercana al inversor, para realizar este cambio de sección.

La conexión AC debe hacerse mediante cables monopolares. Se emplearán un total de cinco cables: tres fases, neutro (opcional) y tierra. El material del conductor puede ser cobre o aluminio.

Requisitos de cableado para la conexión AC				
Cableado	Tipo	Material	Sección	Diámetro
Monopolar	5 cables monopolares (L1, L2, L3, PE, N <sup>(1)</sup> )	Cobre	70 mm <sup>2</sup> ~ 240 mm <sup>2</sup> $S_{PE} \geq S_L/2^{(2)}$	14 mm ~ 32 mm
		Aluminio	95 mm <sup>2</sup> ~ 240 mm <sup>2</sup> $S_{PE} \geq S_L/2^{(2)}$	

<sup>(1)</sup> Opcional, el inversor puede funcionar sin la conexión del neutro. <sup>(2)</sup>  $S_L$ : sección cable de fase.  $S_{PE}$ : sección cable PE

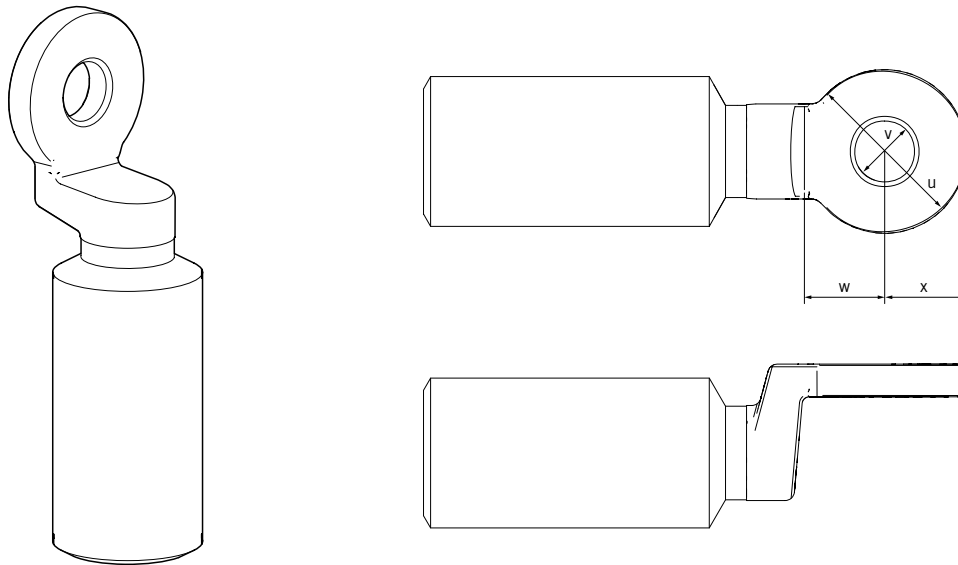
#### ATENCIÓN

En caso de utilizar cables de aluminio el instalador deberá proveer los medios para evitar el efecto del par galvánico (terminales bipolares, interfaces bimetálicas, etc.)

El dimensionado del cableado de tierra será responsabilidad del instalador y deberá atender a los requerimientos normativos aplicables en la instalación.

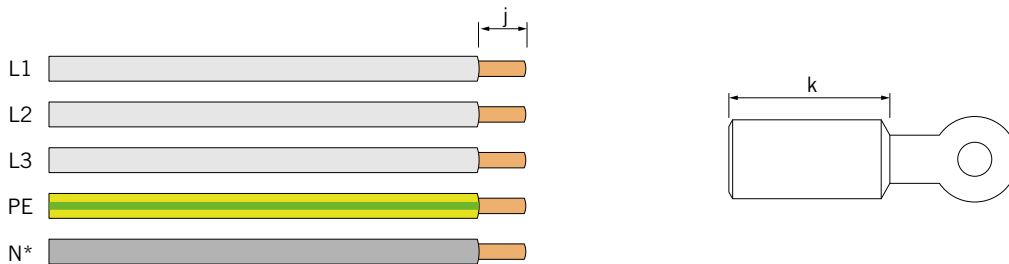
### 9.3. Requisitos de los terminales para la conexión de AC

Para asegurar una correcta conexión es necesario que los terminales para M12 cumplan los siguientes requerimientos formales.



$$u \leq 39 \text{ mm} \quad w \leq 22 \text{ mm}$$

$$13 \leq v \leq 15,5 \text{ mm} \quad x \geq 13 \text{ mm}$$

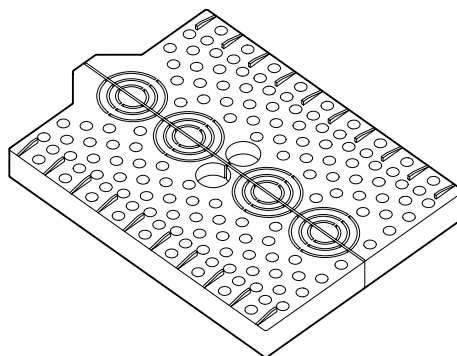


$$j = k + 2 \text{ mm}$$

### 9.4. Proceso de conexión de AC

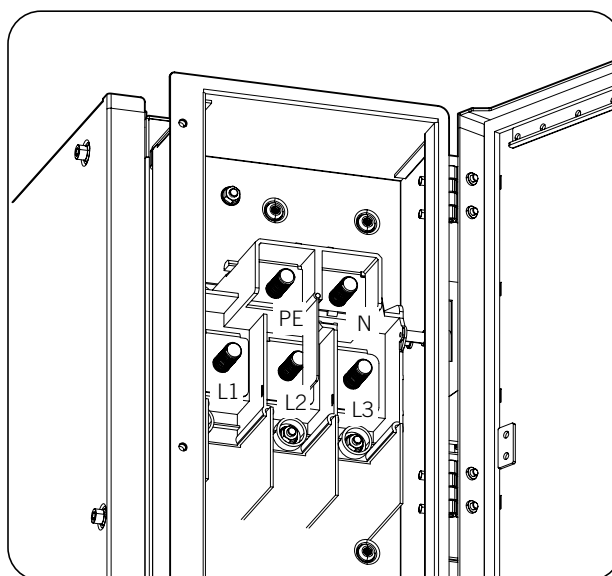
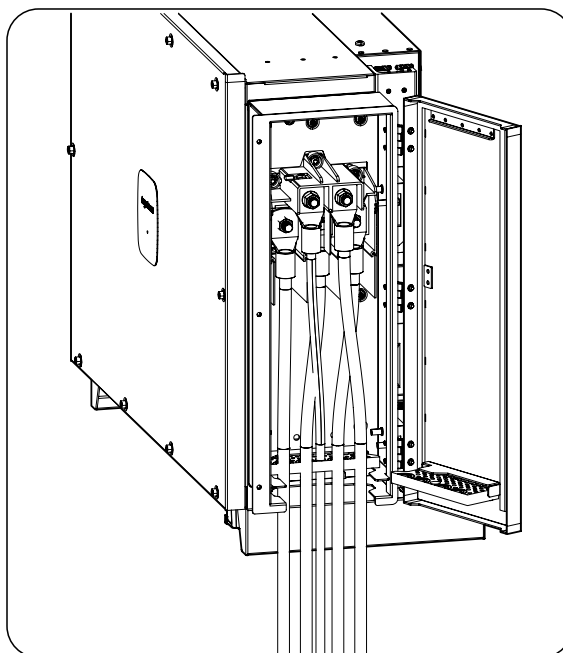
**i** INFO

El equipo viene provisto de diferentes sistemas de paso de cables para facilitar la instalación para cualquier sección elegida por el instalador.





1. Acceder al habitáculo AC del lateral del inversor.
2. Conectar respetando las polaridades las tres fases, neutro y tierra en las bornas señaladas como L1, L2, L3, N y PE. El par de apriete a aplicar en las bornas es de 25 Nm.



**⚠ ATENCIÓN**

En caso de conectar el equipo a una red TN-C, conectar las tres fases en las bornas L1, L2, L3 y el cable PEN en la borna PE. Desde el terminal PE conectar un cable con una sección superior a 12 mm<sup>2</sup> hasta el terminal N para disponer de captación del neutro.

3. Cerrar la tapa del habitáculo AC, comprobando que la membrana inferior queda bien instalada.

## 10. Conexión de DC

A lo largo de este capítulo se explican los requerimientos y el proceso para conectar el cableado de DC en el equipo.

Leer detenidamente antes de iniciar el proceso de conexión.

### INFO

Consultar el apartado *“Condiciones importantes de seguridad”* y las siguientes indicaciones antes de operar en el equipo.

### 10.1. Indicaciones de seguridad para la conexión de DC

#### PELIGRO

Asegurar la ausencia de tensión en el equipo antes de iniciar la conexión.

**No alimentar** el equipo hasta que se hayan completado con éxito el resto de conexiones.

Utilizar el Equipo de Protección Individual especificado en el apartado *“Equipo de Protección Individual (EPI)”*.

Cuando el campo fotovoltaico está expuesto a la luz solar el inversor tendrá tensión DC.

#### ATENCIÓN

Ingeteam no se responsabiliza de los daños derivados de una conexión incorrecta.

### 10.2. Requisitos del cableado para la conexión de DC

#### ATENCIÓN

El tipo de cableado empleado para la conexión debe ser dimensionado según la normativa vigente en el país donde se realiza la instalación y acorde al tipo de instalación, corriente y tensión máximas del campo fotovoltaico.

Los strings que se conecten a los conectores del equipo deben ser eléctricamente independientes entre sí. Es decir, no deben ser strings de mayor corriente de la permitida que se separan en varios conectores pues el reparto de corriente nunca está asegurado.

	Agrupaciones de strings								
	1-2	3-4	5-6	7-8	9-10	11-12	13-14	15-16	17-18
Diámetro cableado	5 ~ 8 mm								
Corriente máxima por agrupación de strings	40 A dc	40 A dc	40 A dc	32 A dc	32 A dc	32 A dc	32 A dc	32 A dc	32 A dc

El inversor incluye los conectores fotovoltaicos aéreos necesarios para la conexión entre cada string y el equipo.

### 10.3. Proceso de conexión de DC

#### Ensamblaje de conectores aéreos

#### PELIGRO

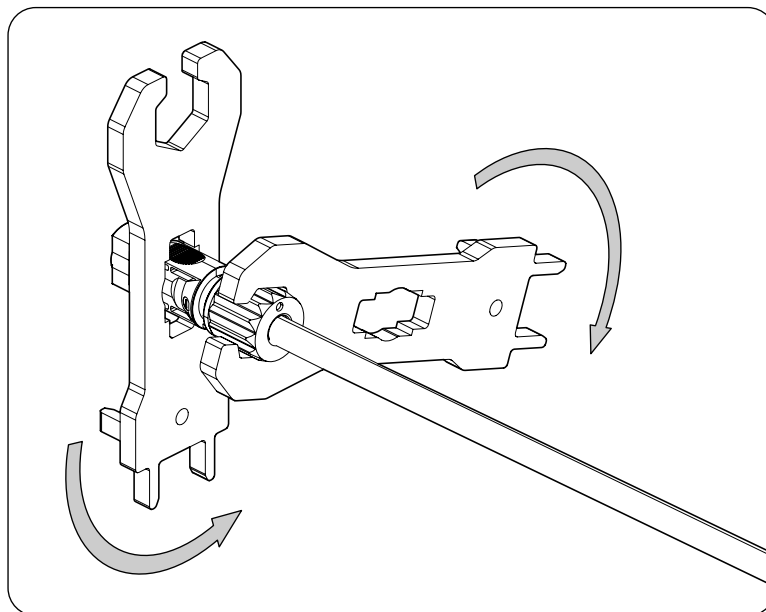
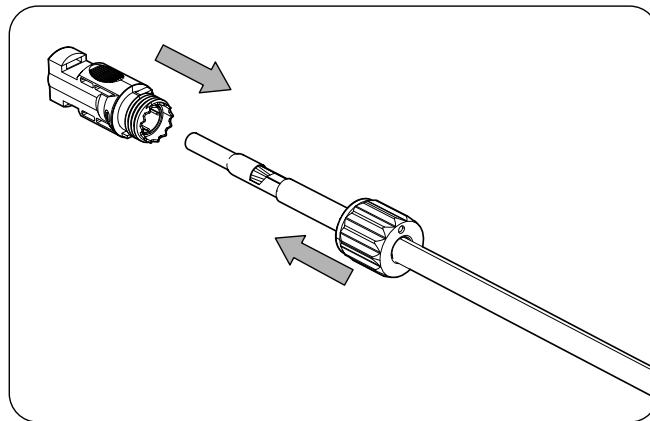
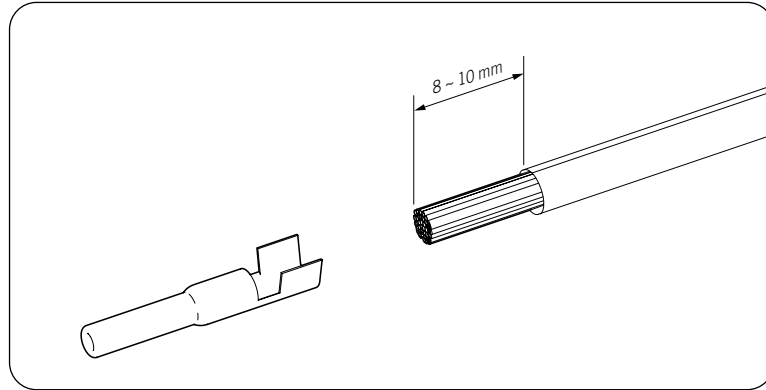
Es imprescindible comprobar la polaridad de los strings y ensamblar correctamente sus conectores aéreos para asegurar que la conexión con el equipo se hace con la polaridad correcta. Ingeteam no se responsabiliza de las consecuencias derivadas de una conexión errónea.

### Conexión mediante conectores rápidos

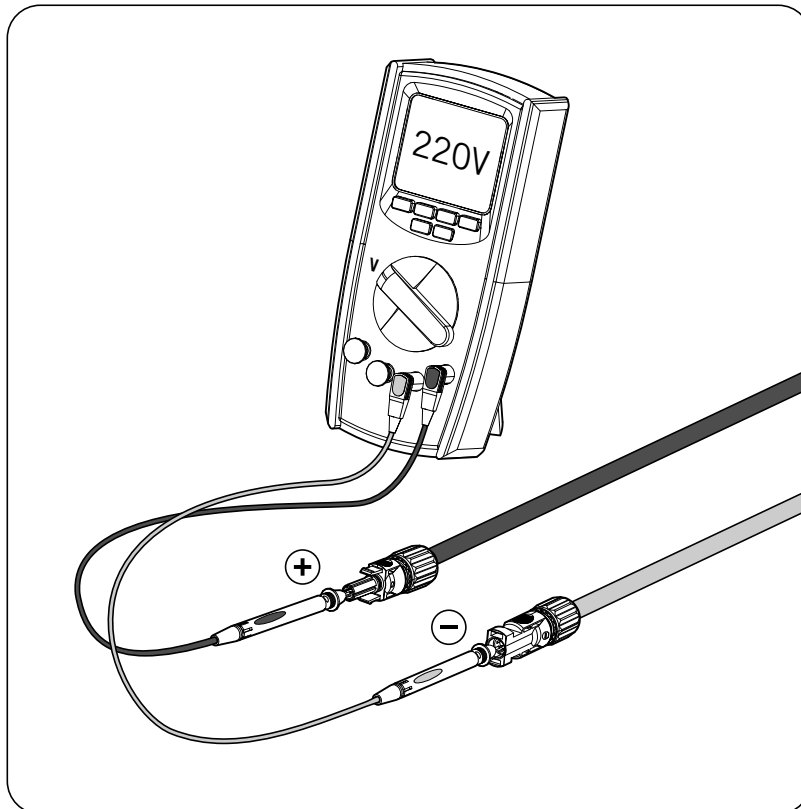
Para asegurar el correcto funcionamiento del seccionador, a la hora de conectar los strings debe respetarse siempre la numeración. Es decir, el string nº1 deberá conectarse a los conectores PV1+ y PV1-. Se procederá de igual manera con el resto de strings a conectar.

Con el seccionador en Off y el equipo completamente cerrado:

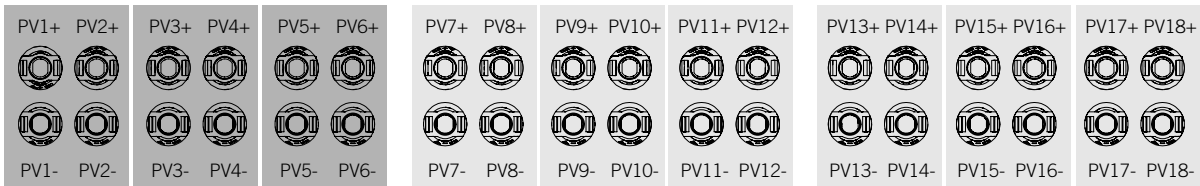
1. Retirar los tapones de los conectores en los que se vayan a conectar strings.
2. Instalar los conectores aéreos en los cables.



3. Comprobar la polaridad de los strings.



4. Conectar los strings a cada una de las entradas respetando las polaridades indicadas en la placa de conexiones inferior del equipo. Se deberá tener en cuenta también la numeración de cada entrada, respetándola en los polos positivo y negativo.



■ Corriente máxima por agrupación de strings: 40 Adc

■ Corriente máxima por agrupación de strings: 32 Adc

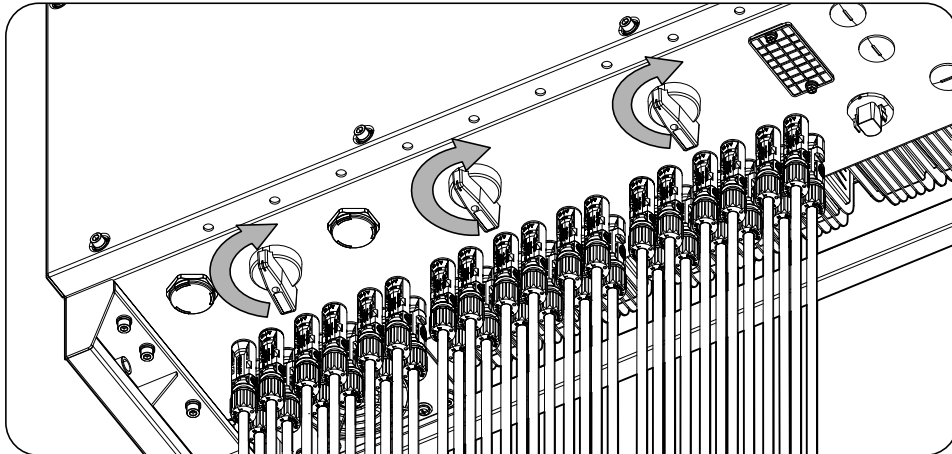
**PELIGRO**

Si se conecta el cableado de forma inversa y el seccionador DC está activado, no operar inmediatamente dicho interruptor ni los conectores. En caso contrario el equipo podría dañarse.

Es necesario esperar hasta la noche, cuando la radiación solar disminuye, para poder operarlos. Poner el seccionador DC en OFF, extraer los conectores y volver a conectar respetando la polaridad.

Una vez comprobado que todos los string se han conectado correctamente, asegurar la firmeza de las conexiones.

5. Poner los seccionadores DC en posición On.



6. En caso de que la conexión no sea correcta, que la tensión AC sea insuficiente o de que no exista tensión AC, el LED del panel de control del equipo parpadeará en rojo.

# 11. Primera conexión a la red eléctrica

A lo largo de este capítulo se detalla el proceso a seguir para realizar la primera conexión a red del inversor.

Este inversor al estar alimentado desde la parte AC sigue teniendo las comunicaciones activas. De esta forma, por ejemplo, una instalación de autoconsumo puede seguir siendo monitorizada con ausencia de energía DC.

## 11.1. Revisión del equipo

Es necesario revisar el correcto estado de la instalación antes de la puesta en marcha.

Cada instalación es diferente según sus características, el país donde se encuentre u otras condiciones especiales que se le apliquen. En cualquier caso, antes de realizar la puesta en marcha, ha de asegurarse de que la instalación cumple la legislación y reglamentos que se le apliquen y que está finalizada, al menos la parte que se va a poner en marcha.

### 11.1.1. Inspección

Antes de la primera conexión a red del inversor se ha de realizar una revisión general consistente principalmente en:

#### Revisión del cableado

- Comprobar que los cables están correctamente unidos a sus conectores.
- Comprobar que dichos cables están en buen estado, y que en su entorno no existen peligros que puedan deteriorarlos, como fuentes de calor intenso, objetos que puedan causar su corte u disposiciones que les sometan a riesgo de impactos o tirones.
- Comprobar las polaridades de los cables de DC y AC.

#### Revisión de la fijación del equipo

Comprobar que el equipo está sólidamente fijado y no corre peligro de caer.

### 11.1.2. Cierre hermético del equipo

En las operaciones de instalación asegurarse de que las operaciones de conexión del equipo no han alterado el grado de estanqueidad del equipo.

Vigilar el ajuste correcto de los conectores y un buen cierre de los elementos pasacables.

## 11.2. Conexión y configuración inicial

### INFO

Para controlar el inversor desde un smartphone o tablet es necesario instalar la app INGECON SUN Monitor, disponible en Apple Store y Play Store.



<https://apps.apple.com/br/app/ingecon-sun-monitor/id1434881715>


<https://play.google.com/store/apps/details?id=com.ingeteam.ingecon.sunmonitor>

Gracias al interfaz de usuario web el inversor se configura de forma sencilla y ágil a través de un ordenador o smartphone.

Por defecto el inversor actúa como punto de acceso Wi-Fi, generando una red SoftAP con un SSID del tipo *Ingeteam\_1MMxxxxxAxx\_MMMM*. Por defecto, esta red está protegida con la contraseña *ingeconsun*.

Seguir las siguientes indicaciones para establecer una conexión local con el inversor y configurarlo:

**Conexión con smartphone o tablet**

1. Instalar la aplicación INGECON SUN Monitor.
2. Registrarse como instalador autorizado y acceder al icono  para conectarse localmente al inversor.
3. Seguir los pasos indicados para acceder a la aplicación web del equipo.

**Conexión con ordenador**

1. Conectarse a la red Wi-Fi generada por el inversor.
2. En el navegador web acceder a la aplicación web en la dirección <http://169.254.1.1>. Se deberá de registrar como instalador autorizado.

Al ser la primera conexión, un asistente nos indicará los pasos a seguir para realizar una configuración óptima del equipo.

## 11.3. Conexión a la red eléctrica

Una vez configurado el equipo proceder a cerrar el interruptor magnetotérmico AC externo al equipo para suministrarle tensión AC.

A partir de este momento el equipo estaría listo para conectarse a la red eléctrica. Si el equipo no conectara comprobar si existe alguna alarma o paro manual.

## 12. Manejo del equipo

La gestión del funcionamiento del inversor se realiza a través de la aplicación web.

### 12.1. Gestión del inversor a través de la aplicación web

Es posible acceder a la aplicación de control desde distintos tipos de dispositivo (smartphone, tablet u ordenador). La gestión del inversor desde la aplicación de control se puede realizar de forma local (inversor y dispositivo conectados a la misma red de comunicación) o de forma remota (inversor y dispositivo conectados a redes de comunicación diferentes).

En los siguientes apartados se describe el proceso para conectar con el inversor de forma local o remota.

La configuración de fábrica de las comunicaciones consiste en disponer de:

- Interfaz Ethernet en modo DHCP.
- Interfaz Wi-Fi únicamente en modo Access Point.

### 12.2. Conectar con el inversor de forma local a través de su red Wi-Fi


#### INFO

La red de comunicación Wi-Fi generada por el inversor es una red con una frecuencia inalámbrica de 2.4 GHz.

El inversor tiene una etiqueta adherida en la que se indica el SSID y contraseña de la red Wi-Fi (*Default local Wi-Fi access point*).

El inversor actúa como punto de acceso Wi-Fi, generando una red SoftAP. Para realizar una conexión local a esta red seguir los siguientes pasos:

#### Conexión con smartphone o tablet

1. Instalar la aplicación INGECON SUN Monitor.
2. Registrarse como instalador autorizado y acceder al icono  para conectarse localmente al inversor.
3. Seguir los pasos indicados para acceder a la aplicación web del equipo.

#### Conexión con ordenador

1. Conectarse a la red Wi-Fi generada por el inversor.
2. En el navegador web acceder a la aplicación web en la dirección <http://169.254.1.1>. Se deberá de registrar como instalador autorizado.
3. Acceder mediante el usuario y contraseña definidos en la etiqueta adherida en el inversor (*Default local access login*).

### 12.3. Conectar el inversor a una red Wi-Fi

#### INFO

La red de comunicación Wi-Fi a la que se desea conectar el inversor debe ser una red con una frecuencia inalámbrica de 2.4 GHz.

Ingeteam establece que el nivel mínimo de señal Wi-Fi recibida por el inversor ha de ser superior al 50% (-75 dBm) para garantizar una óptima conectividad.

En caso de querer conectar el inversor a una red Wi-Fi existente seguir los siguientes pasos:

1. Conectarse localmente al inversor (ver [“5.4. Protección de la conexión a la red eléctrica”](#)).
2. Acceder al menú Comms en la parte superior.
3. En el panel izquierdo seleccionar Wi-Fi.



4. Pulsar en *CONECTAR a red Wi-Fi*. A continuación, se mostrará un listado de las redes Wi-Fi disponibles. Seleccionar la red deseada e introducir la contraseña si procede.

**i INFO**

En caso de que el nombre de identificación SSID de una red Wi-Fi no pueda ser mostrado al usuario, introducir el nombre de la red en el campo *Custom SSID*.

## 12.4. Conectar con el inversor de forma remota

Para conectar con el inversor de forma remota es necesario que esté conectado a Internet a través de una red Wi-Fi o a través de Ethernet. Una vez conectado a internet seguir los siguientes pasos:

1. Entrar al INGECON SUN Monitor.
2. Crear una planta con el *Device ID* y *Password* del inversor. Ambos datos aparecen en la pegatina presente en el inversor.
3. Acceder a la planta para ver la monitorización de la instalación. Además, se podrá acceder a la aplicación web del equipo.

**i INFO**

Tener en cuenta los siguientes requerimientos:

- El inversor debe estar conectado a una red local, que tenga salida a Internet en los puertos UDP80 (o UDP1194) y TCP8883.
- El dispositivo desde el que se realice la conexión remota debe tener salida a Internet en los puertos TCP80, TCP22 y TCP9001.

Por defecto los routers tienen abiertos los puertos necesarios para la comunicación remota. En caso contrario solicitar la apertura de estos puertos al administrador de red.

Asegurar que la puerta de enlace y la máscara de red son correctas, ya que de lo contrario el inversor no tendrá acceso a Internet. Por defecto el inversor trabaja por DHCP y no hace falta configurar estos parámetros en una red con servidor DHCP.

En caso de querer configurar el inversor con una IP fija, consultar las propiedades de configuración de red de un ordenador u otro dispositivo que se encuentre en la misma red o bien solicitarlo al administrador de red.

## 12.5. Cambiar la configuración IP de una red Wi-Fi

Por defecto, en una conexión a una red Wi-Fi existente, el inversor obtendrá su dirección IP dinámicamente (DHCP). En caso de conectarse a una red sin servidor DHCP o si se desea configurar el inversor con dirección IP fija, seguir los siguientes pasos:

1. Acceder a la aplicación web a través del navegador del dispositivo.
2. Entrar en el menú superior *Comms*.
3. En el panel izquierdo seleccionar *Wi-Fi*.
4. Pulsar en la opción *Change* dentro del campo *Primary*.
5. En el selector *IP Mode* seleccionar la opción *Fixed* o *DHCP*.
6. Si se ha seleccionado *Fixed*, completar los datos a configurar (*IP address*, *IP mask* y *IP gateway*).

**i INFO**

Para comprobar que la puerta de enlace y la máscara de red son correctas acceder a las propiedades de configuración de red de un dispositivo que se encuentre en la misma red o bien solicitarlo a su administrador de red.

7. Finalizar pulsando en *Send*.

Se mostrará una ventana con los datos de la nueva configuración de dirección IP.

## 12.6. Cambiar la configuración IP de una red Ethernet

Por defecto, en una conexión a una red Ethernet, el inversor obtendrá su dirección IP dinámicamente (DHCP). En caso de conectarse a una red sin servidor DHCP o si se desea configurar el inversor con dirección IP fija, seguir los siguientes pasos:

1. Acceder a la aplicación web a través del navegador del dispositivo.
2. Entrar en el menú superior *Comms*.
3. En el panel izquierdo seleccionar *Ethernet*.
4. Pulsar en la opción *Change* dentro del campo *Primary*.
5. En el selector *IP Mode* seleccionar la opción *Fixed* o *DHCP*.
6. Si se ha seleccionado *Fixed*, completar los datos a configurar (*IP address*, *IP mask* y *IP gateway*).

### INFO

Para comprobar que la puerta de enlace y la máscara de red son correctas acceder a las propiedades de configuración de red de un dispositivo que se encuentre en la misma red o bien solicitarlo a su administrador de red.

7. Finalizar pulsando en *Send*.

Se mostrará una ventana con los datos de la nueva configuración de dirección IP.

## 12.7. Registrar el inversor en INGECON SUN Monitor

INGECON SUN Monitor es una aplicación para la monitorización de instalaciones fotovoltaicas. También está disponible en aplicación web.

Para registrar el inversor en INGECON SUN Monitor, éste dispone de una etiqueta adherida en la que se indica el *Device ID* y contraseña (*Register at [www.ingeconsunmonitor.com](http://www.ingeconsunmonitor.com)*).

### INFO

El registro del inversor deber realizarse a través de la aplicación web en [www.ingeconsunmonitor.com](http://www.ingeconsunmonitor.com).

## 12.8. Actualizar el firmware del inversor

### INFO

Para realizar este proceso es necesario que el inversor esté conectado a Internet a través de una red Wi-Fi o a través de Ethernet.

1. Acceder a la aplicación web a través del navegador del dispositivo (ver "[12.4. Conectar con el inversor de forma remota](#)").
2. Entrar en el menú *Actualización*. En caso de existir actualizaciones disponibles aparecerá indicado.
3. Instalar la actualización.

También es posible realizar esta operación mediante el botón disponible en la aplicación de control.

## 13. Estados y alarmas del inversor

Estos inversores disponen de una iluminación LED en la carátula frontal, así como un LED en el dongle de comunicaciones. Estas iluminaciones indicarán el estado del inversor y de las comunicaciones, y la posible existencia de alarmas.

### 13.1. Estados del inversor (iluminación en carátula frontal)

Color LED	Tipo iluminación LED	Estado
Verde	Parpadeo	Estado de intento de conexión o reconexión a la red eléctrica (standby)
	Encendido	Inversor conectado a la red eléctrica
Azul	Encendido	Funcionando con potencia limitada
Rojo	Parpadeo	Inversor desconectado de la red por incidencia activa
	Encendido	Inversor desconectado de la red por paro manual
Blanco	Parpadeo	Inversor alimentado únicamente desde AC

### 13.2. Estados de las comunicaciones del inversor (iluminación en dongle de comunicaciones)

Color LED	Tipo iluminación LED	Estado
Azul	Parpadeo	Inversor tratando de establecer comunicación
	Encendido	Inversor con comunicación activa
	Apagado	Inversor sin comunicación

### 13.3. Alarmas

#### **i** INFO

Consultar la guía ACL0000IMC01 donde se detallan las alarmas y la resolución de problemas que pudieran darse en la instalación y funcionamiento. Para descargar la guía acceder a la web de INGECON SUN Training ([www.ingeconsuntraining.info/?page\\_id=36472](http://www.ingeconsuntraining.info/?page_id=36472)).

## 14. Desconexión del equipo

Para desconectar el inversor seguir el siguiente orden:

1. Pasar a modo paro desde la aplicación de control.
2. Quitar tensión AC desde un medio de desconexión externo al equipo.
3. Quitar tensión DC desde un medio de desconexión externo al equipo o mediante el seccionador del equipo, siempre que no se vayan a desmontar las barreras de protección que protegen la acometida DC.
4. Si fuese necesario quitar estas protecciones (por ejemplo, para manipular la acometida DC), se deberá quitar tensión DC mediante la desconexión de todos los conectores rápidos.
5. Esperar 5 minutos a que se descarguen las capacitancias internas existentes, a que se enfríen los elementos internos y externos. Además se deberá esperar a que los ventiladores se detengan.

## 15. Mantenimiento

Las labores de mantenimiento que se recomiendan serán realizadas con periodicidad mínima anual, salvo aquellas en que se indique lo contrario.

### 15.1. Condiciones de seguridad

#### PELIGRO

Todas las comprobaciones de mantenimiento que aquí se recogen deberán hacerse con el conjunto de la máquina parada, en condiciones seguras de manipulación, incluyendo las especificadas por el cliente para este tipo de operaciones.

Asegurar la ausencia de tensión en el equipo antes de iniciar las tareas de mantenimiento.

Durante la conexión del inversor debe asegurarse la correcta instalación de los cables en los borneros del equipo de manera que no queden partes en tensión de este cableado accesibles.

Para realizar las labores de mantenimiento en el equipo se han de utilizar el Equipo de Protección Individual especificado en el apartado *“Equipo de Protección Individual (EPI)”* en este documento.

#### ATENCIÓN

El conjunto de condiciones que se detallan a continuación deben considerarse como mínimas.

Ingeteam no se responsabiliza de los daños que pudieran causarse por una utilización inadecuada de los equipos. Toda intervención que se realice sobre cualquiera de estos equipos que suponga un cambio en las disposiciones eléctricas respecto a las originales deberán ser previamente propuestas a Ingeteam. Éstas deberán ser estudiadas y aprobadas por Ingeteam.

### 15.2. Estado de la envolvente

Es necesaria una comprobación periódica del estado de la envolvente verificando el estado de los cierres y tapa, así como el anclaje de los equipos a sus amarres por la pared. Asimismo, se debe comprobar el buen estado de la envolvente y la ausencia de golpes o rayas que pudieran degradar la envolvente o hacerle perder su índice de protección. En el caso de que se apreciaran este tipo de defectos, se deberán reparar o sustituir aquellas partes afectadas.

Revisar el correcto amarre de los componentes de la envolvente a sus correspondientes anclajes.

### 15.3. Estado de los cables y terminales

Es necesario realizar una inspección anual del estado de los cables y terminales:

- Comprobar el correcto guiado de los cables de forma que estos no estén en contacto con partes activas.
- Revisar deficiencias en los aislamientos y puntos calientes, verificando el color del aislamiento y terminales.
- Comprobar que las conexiones tienen el par de apriete adecuado.

## 16. Tratamiento de residuos

Estos equipos utilizan componentes nocivos para el medio ambiente (tarjetas electrónicas, baterías o pilas, etc.).



Concluida la vida útil del equipo este debe ser puesto en manos de un gestor autorizado de residuos peligrosos para su correcto procesado.

Installation and Operation Manual	EN
Manual de instalación y uso	ES
<b>Manuel d'installation et usage</b>	<b>FR</b>
Manuel d'installation et usage	IT
Manual de instalação e uso	PT

# Conditions importantes de sécurité

Cette section décrit les avertissements de sécurité et les équipements de protection individuelle ou les symboles utilisés sur l'appareil.

## Conditions de sécurité

### Avertissements généraux



**DANGER**

L'ouverture de l'enveloppe n'implique pas qu'il n'y ait pas de tension à l'intérieur.

Même après avoir déconnecté le réseau, le champ photovoltaïque et l'alimentation auxiliaire, le risque de décharge électrique persiste.

Seul le personnel qualifié est autorisé à l'ouvrir en respectant les instructions de ce manuel.

Il est expressément interdit d'accéder à l'intérieur de l'onduleur par tout autre point que l'habacle CA. L'accès doit toujours être réalisé hors tension.



**ATTENTION**

Les opérations décrites dans ce manuel ne doivent être réalisées que par du personnel qualifié.

Les aptitudes du personnel qualifié auxquelles se réfère ce manuel doivent être, au minimum, celles qui satisfont à toutes les normes, règlements et lois en matière de sécurité applicables aux travaux d'installation et à l'utilisation de cet appareil.

La responsabilité de désigner le personnel qualifié est toujours à la charge de l'entreprise à laquelle appartient ce personnel. Pour préserver la sécurité de l'employé tout en respectant la loi sur la sécurité au travail, c'est à l'entreprise de déterminer qui est apte ou non à réaliser un travail.

Ces entreprises sont responsables de former leur personnel sur les appareils électroniques ainsi que de le familiariser avec le contenu de ce manuel.

Veillez tenir compte du fait qu'il est obligatoire de respecter la législation en vigueur en matière de sécurité pour les travaux d'électricité. Il existe un danger de décharge électrique.

Le respect des instructions de sécurité ou de la loi exposées dans ce manuel n'exclut pas de se conformer aux autres normes spécifiques à l'installation, au lieu, au pays ou à toute autre circonstance relative à l'onduleur.

L'ensemble des conditions détaillées dans ce document doit être considéré comme un minimum. Il est toujours préférable de couper l'alimentation générale. Il peut y avoir des défauts sur l'installation provoquant des retours de tension non souhaités. Il existe un danger de décharge électrique.

Conformément aux normes de sécurité de base, tout l'appareil doit être adéquat pour protéger les opérateurs exposés des risques de contacts directs et indirects. Quoi qu'il en soit, les pièces électriques des équipements de travail doivent être conformes aux dispositions de la réglementation spécifique correspondante.

Conformément aux normes de sécurité de base, l'installation électrique ne doit pas entraîner de risques d'incendie ou d'explosion. Les opérateurs doivent être dûment protégés contre les risques d'accidents provoqués par des contacts directs ou indirects. L'installation électrique et les dispositifs de protection doivent tenir compte des facteurs externes conditionnant et des compétences des personnes ayant accès aux pièces de l'installation.

Pour vérifier l'absence de tension, il faut obligatoirement utiliser des éléments de mesure de catégorie III et d'une tension supérieure à la tension maximale du champ photovoltaïque.



**INFOS**

Ces instructions doivent être accessibles, se trouver à proximité de l'appareil et être à portée de main de tous les opérateurs.

Avant l'installation et la mise en marche, veuillez lire attentivement ces instructions de sécurité et avertissements ainsi que tous les signes d'avertissement placés sur l'appareil. S'assurer que toutes les signalisations sont parfaitement lisibles et que les panneaux endommagés ou absents sont remplacés.



**i INFOS**

La protection contre les contacts directs se fait par enveloppe.

L'appareil a été testé conformément à la réglementation applicable pour garantir qu'il remplit les exigences de sécurité, de valeurs de distances d'isolation et des lignes de fuite pour les tensions d'utilisation.

**Dangers potentiels pour les personnes****⚠ DANGER**

Électrocution.

L'appareil peut rester chargé une fois le champ photovoltaïque, l'alimentation sur secteur et les alimentations auxiliaires déconnectés.

Suivez attentivement les étapes obligatoires du manuel pour mettre le dispositif hors tension.

Explosion.

Il existe un risque très peu probable d'explosion dans des cas très spécifiques de dysfonctionnement.

La carcasse ne protégera les personnes et les biens de l'explosion que si elle est bien fermée.

Écrasement et lésions articulaires.

Suivez toujours les indications du manuel pour déplacer et mettre l'appareil en place.

S'il n'est pas correctement manipulé, le poids de cet appareil peut produire des lésions et des blessures graves, voire mortelles.

Haute température.

Le débit d'air de sortie peut atteindre des températures très élevées pouvant blesser les personnes exposées.

**Dangers potentiels pour l'appareil****⚠ DANGER**

Refroidissement.

L'appareil nécessite un flux d'air sans particules lorsqu'il est en fonctionnement.

Il est indispensable de le maintenir en position verticale et de dégager les entrées de tout obstacle pour que ce flux d'air atteigne l'intérieur de l'appareil.

Ne touchez pas les cartes ni les composants électroniques. Les composants les plus sensibles peuvent être endommagés ou détruits par l'électricité statique.

Ne procédez pas à la déconnexion ou à la connexion d'une cosse lorsque l'appareil est en marche. Déconnectez-le et vérifiez l'absence de tension avant de procéder.

Afin d'éviter l'usure prématurée des raccords vissés des panneaux de l'enveloppe de l'appareil, il faut que les tâches de retrait et d'installation des vis s'effectuent avec un outil manuel.

## Équipements de protection individuelle (EPI)

Lors de la réalisation de travaux sur l'appareil, utilisez toujours, au minimum, les équipements de sécurité suivants recommandés par Ingeteam.

Dénomination	Explication
Chaussures de sécurité	Conformes à la norme <i>UNE-EN-ISO 20345:2012</i>
Casque avec visière de protection	Conforme à la norme <i>UNE-EN 397:1995</i> , à condition qu'il existe des éléments sous tension directement accessibles
Vêtements de travail	Ajustés, ignifugés, 100% coton
Gants diélectriques	Conformes à la norme <i>EN 60903:2005</i>

Les outils et/ou appareils utilisés pour les travaux sous tension doivent posséder, au moins, une isolation de classe III et une tension supérieure à la celle maximale du champ photovoltaïque.

Dans le cas où la réglementation locale exige d'autres types d'équipements de protection individuelle, les équipements recommandés par Ingeteam doivent être dûment complétés.

# Table des matières

Conditions importantes de sécurité.....	96
Conditions de sécurité .....	96
Équipements de protection individuelle (EPI).....	98
Table des matières .....	99
1. Information concernant ce manuel.....	101
1.1. Destinataires .....	101
1.2. Symbolique.....	101
2. Description de l'appareil.....	102
2.1. Description générale .....	102
2.2. Communications présentes de série .....	103
2.3. Sécurité électrique.....	103
2.3.1. Catégorie de surtension (OVC).....	103
2.4. Degré de pollution .....	103
2.5. Pollution sonore.....	103
2.6. Schéma électrique du système.....	104
2.7. Tableau des caractéristiques .....	105
2.8. Description des accès de câbles.....	106
3. Réception et stockage de l'appareil.....	107
3.1. Réception .....	107
3.2. Identification de l'appareil .....	107
3.3. Dommages lors du transport.....	107
3.4. Stockage.....	107
3.5. Conservation.....	107
4. Transport de l'appareil .....	108
4.1. Transport.....	108
5. Préparation pour l'installation de l'appareil.....	109
5.1. Environnement .....	109
5.2. Conditions environnementales.....	110
5.3. Surface d'appui et de fixation .....	111
5.4. Protection du raccordement au réseau électrique .....	111
5.5. Type de réseau.....	111
5.6. Longueur du câblage.....	111
5.7. Panneaux photovoltaïques .....	111
5.8. Système de déconnexion externe.....	111
6. Installation de l'appareil .....	112
6.1. Exigences générales d'installation .....	112
6.2. Fixation de l'appareil au mur.....	112
6.3. Ouverture et fermeture de l'enveloppe.....	115
7. Raccordement de la protection externe de mise à la terre.....	116
7.1. Consignes de sécurité pour le raccordement de la protection externe de mise à la terre. ....	116
7.2. Spécifications de câblage pour le raccordement de la protection externe de mise à la terre .....	116
7.3. Processus de raccordement de la protection externe de mise à la terre.....	117
8. Raccordement de communications .....	118
8.1. Consignes de sécurité pour le raccordement de communications .....	118
8.2. Raccordement de la communication via Ethernet.....	118
8.2.1. Exigences du câblage.....	118
8.2.2. Processus de connexion.....	119
8.3. Connexion Wi-Fi.....	120
8.4. Raccordement de la communication du port COM4.....	120
8.4.1. Exigences du câblage.....	121
8.4.2. Processus de connexion.....	121
9. Connexion de câbles AC.....	125
9.1. Consignes de sécurité pour la connexion de câbles CA.....	125
9.2. Spécifications de câblage pour le raccordement CA.....	125

EN

ES

FR

IT

PT

- 9.3. Spécifications des cosses pour la connexion AC ..... 126
- 9.4. Processus de connexion de câbles AC ..... 126
- 10. Connexion de câbles DC ..... 128
  - 10.1. Consignes de sécurité pour la connexion de câbles DC ..... 128
  - 10.2. Spécifications des câbles pour la connexion DC ..... 128
  - 10.3. Processus de connexion de câbles DC ..... 128
- 11. Première connexion au réseau électrique..... 132
  - 11.1. Révision de l'appareil ..... 132
    - 11.1.1. Inspection..... 132
    - 11.1.2. Fermeture hermétique de l'appareil ..... 132
  - 11.2. Connexion et configuration initiale..... 132
  - 11.3. Connexion au réseau électrique ..... 133
- 12. Utilisation de l'appareil ..... 134
  - 12.1. Gestion de l'onduleur via l'application Web ..... 134
  - 12.2. Connexion locale à l'onduleur via votre réseau Wi-Fi ..... 134
  - 12.3. Connexion de l'onduleur à un réseau Wi-Fi ..... 134
  - 12.4. Connexion à l'onduleur à distance ..... 135
  - 12.5. Modification de la configuration IP d'un réseau Wi-Fi ..... 135
  - 12.6. Modification de la configuration IP d'un réseau Ethernet ..... 136
  - 12.7. Enregistrer l'onduleur dans INGECON SUN Monitor ..... 136
  - 12.8. Mise à jour du firmware de l'onduleur ..... 136
- 13. États et alarmes de l'onduleur ..... 137
  - 13.1. États de l'onduleur (éclairage sur la face avant) ..... 137
  - 13.2. États des communications de l'onduleur (éclairage sur dongle de communications) ..... 137
  - 13.3. Alarmes ..... 137
- 14. Déconnexion de l'appareil ..... 138
- 15. Maintenance ..... 139
  - 15.1. Conditions de sécurité ..... 139
  - 15.2. État de l'enveloppe ..... 139
  - 15.3. État des câbles et des cosses ..... 139
- 16. Traitement des déchets..... 140

# 1. Information concernant ce manuel

Le but de ce manuel est de décrire l'onduleur INGECON SUN 110TL M9 et de fournir les informations nécessaires pour sa bonne réception, installation, mise en marche, maintenance et utilisation.

## 1.1. Destinataires

Le présent document s'adresse au personnel qualifié.

Les aptitudes du personnel qualifié auxquelles se réfère ce manuel doivent être, au minimum, celles qui satisfont à toutes les normes, règlements et lois en matière de sécurité applicables aux travaux d'installation et à l'utilisation de cet appareil.

La responsabilité de désigner le personnel qualifié est toujours à la charge de l'entreprise à laquelle appartient ce personnel. Pour préserver la sécurité de l'employé tout en respectant la loi sur la sécurité au travail, c'est à l'entreprise de déterminer qui est apte ou non à réaliser un travail.

Ces entreprises sont responsables de former leur personnel sur les appareils électroniques ainsi que de le familiariser avec le contenu de ce manuel.

## 1.2. Symbolique

Dans ce manuel apparaissent des avertissements permettant de mettre en avant les informations à souligner. En fonction de la nature du texte contenu, il existe trois types d'avertissements :



Indique des risques pour l'intégrité du personnel ou de l'onduleur.



Indication à caractère important.



Informations supplémentaires ou références à d'autres parties du document, ou à d'autres documents.

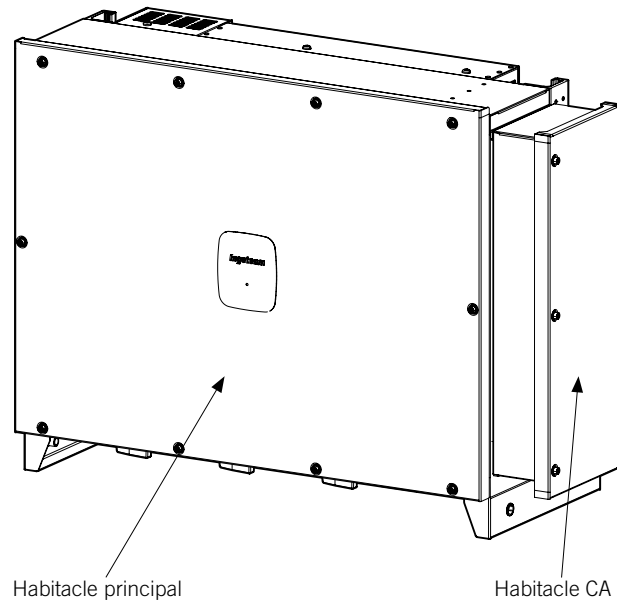
## 2. Description de l'appareil

### 2.1. Description générale

La finalité intrinsèque de cet onduleur est de transformer le courant continu produit par les neuf champs photovoltaïques maximum en courant alternatif en vue de son injection sur le réseau électrique.

En outre, sa fonction est de rechercher le point de puissance maximale de ces champs photovoltaïques et de respecter les exigences des différentes réglementations relatives au réseau électrique.

Ces onduleurs se composent de deux parties différenciées : l'habitacle principal et l'habitacle CA.



#### **⚠ ATTENTION**

Toutes les tâches nécessaires pour l'utilisation et la maintenance correctes de l'onduleur se font dans l'habitacle CA.

L'habitacle principal ne doit être ouvert en aucun cas. En cas d'ouverture, la garantie serait annulée.

Ces onduleurs ne disposent pas d'un transformateur pour la connexion de champs photovoltaïques isolés au réseau électrique.

Quelques caractéristiques principales de ces onduleurs :

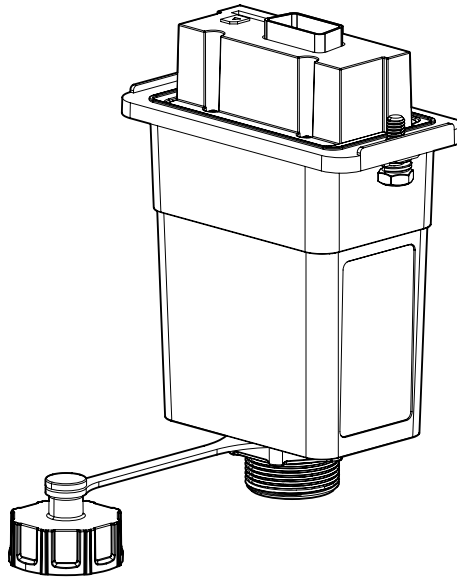
- Mesure de courants d'entrée de MPPT.
- Sectionneur CC
- Limiteurs de surtension CC et CA type 2.

Ils disposent des appareils de recherche suivants du point de puissance maximale d'entrée CC. Le raccordement s'effectue via des connecteurs rapides.

Entrée DC	IS 110TL M9
Nbre d'appareils de recherche du point de puissance maximale	9
Nbre de paires de connecteurs rapides	18

## 2.2. Communications présentes de série

Ces onduleurs disposent d'un dongle pour la communication via Ethernet ou Wi-Fi. Il sera raccordé à l'onduleur via le port *COM1*.



## 2.3. Sécurité électrique

Ci-après sont exposées des valeurs de conception intéressantes pour la sécurité électrique.

### 2.3.1. Catégorie de surtension (OVC)

Ces appareils sont conformes aux normes *CEI 62109-1* et *CEI 62109-2*.

Le circuit CA a été conçu avec une catégorie de surtension II (OVC II). Le circuit CC a été conçu avec une catégorie de surtension I (OVC I).

## 2.4. Degré de pollution

Les appareils sont conformes au degré de pollution 3 exigé pour ce type d'onduleurs.

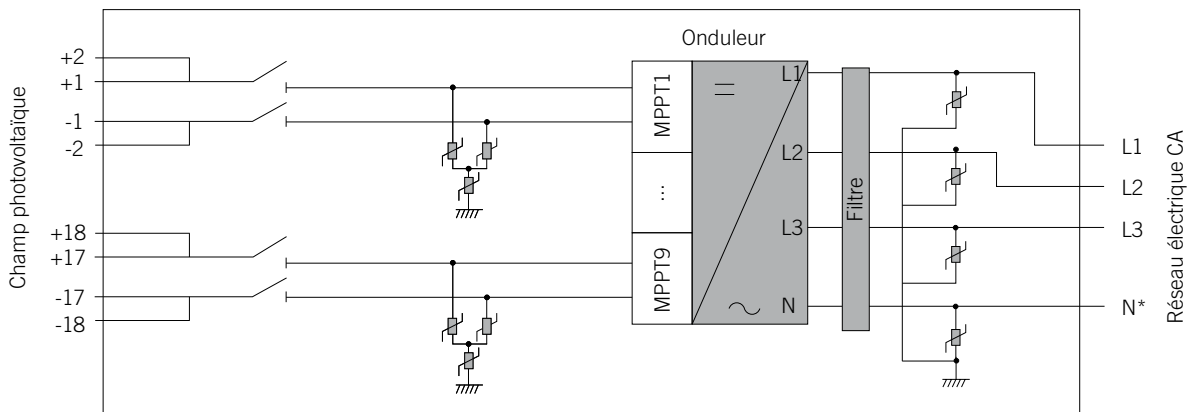
## 2.5. Pollution sonore

Le fonctionnement de cet appareil génère un bourdonnement. Ne le placez pas dans une pièce habitée ou sur des supports légers pouvant amplifier ce bourdonnement. La surface de montage doit être solide et adaptée au poids de l'appareil.

## 2.6. Schéma électrique du système

**i INFOS**

Ces appareils utilisent la cosse du neutre uniquement à des fins de mesure, car il est possible de travailler sans câble de neutre, de rester raccordé au réseau et d'injecter la puissance du champ photovoltaïque. Néanmoins certaines réglementations exigent la surveillance de la tension de phase du réseau, que ce soit au cours du fonctionnement normal ou pendant des transitoires de réseau. Dans ce cas l'absence du câble de neutre peut impliquer un manquement à ces réglementations.



\* en option

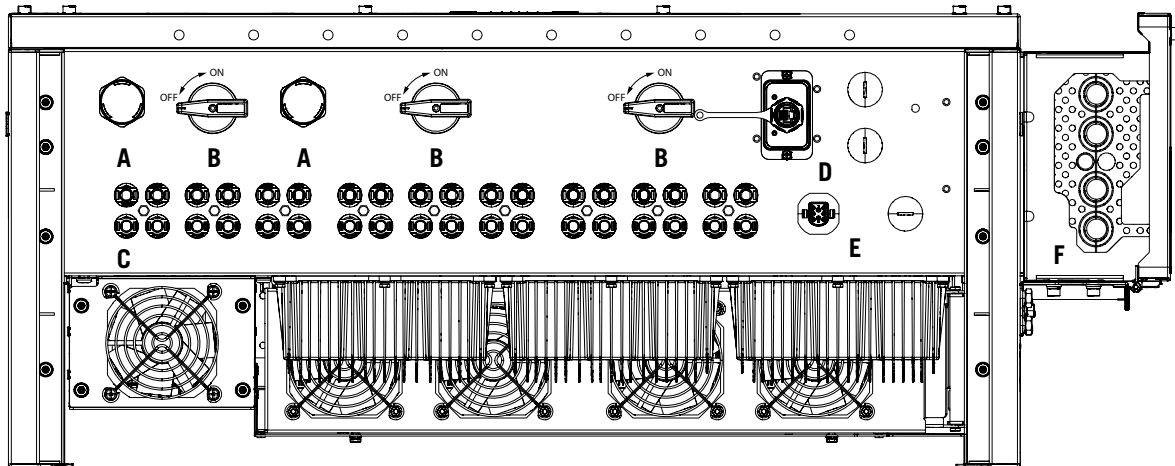


## 2.7. Tableau des caractéristiques

110TL M9	
<b>Entrée DC</b>	
Plage de puissance recommandée du module photovoltaïque	113,3 ~ 165 kWp
Plage de tension de MPPT	200 ~ 1000 V
Tension maximale	1100 V
Tension d'entrée nominale	600 V
Tension de démarrage / Tension de fonctionnement mini.	250 V / 200 V
Courant maximal de court-circuit	3*50 A + 6*45 A
Courant maximal	3*40 A + 6*32 A
Entrées avec connecteurs photovoltaïques	18 (9*2)
Nombre de MPPT	9
<b>Sortie CA</b>	
Puissance nominale	110 kW
Puissance maximale apparente <sup>(1)</sup>	123 kVA
Puissance active maximale (PF=1) <sup>(1)</sup>	121 kW
Courant de sortie maximal	187 A
Tension nominale	400 V
Plage de tension <sup>(2)</sup>	322 V ~ 520 V (réglable)
Fréquence	50/60 Hz
Type de réseau	TT, TN, IT
Facteur de puissance réglable	Oui. 0 ~ 1 (avancée / recul)
<b>Efficacité</b>	
Efficacité maximale	98,2%
Euro efficacité	97,8%
<b>Informations générales</b>	
Système de refroidissement	Ventilation forcée
Consommation nocturne	<10W
Température de service	-25 °C ~ 60 °C
Humidité relative (sans condensation)	0 ~ 100 %
Indice de protection	IP66
Marquage	CE
Émissions sonores	< 65 dB
Altitude maximale d'installation	4000 m
Poids	92 kg
Dimensions (hauteur x largeur x profondeur)	678 x 936 x 365 mm
Normes de compatibilité électromagnétique et sécurité	EN 61000-6-2, EN 61000-6-4, EN 62109-1, EN 62109-2
Réglementation de connexion au réseau	CEI 61727:2004, CEI 62116:2014, EN 50549-1:2019, EN 50549-2:2019, UNE 217002:2020, UNE 217001:2020, NTS SEPE 2.1 type B, CEI 0-21 v1 novembre 2022 (including Allegato B), CEI 0-16 v1 novembre 2022 (including Allegato N), VDE-AR-N 4105:2018

<sup>(1)</sup> En Espagne, conformément à la réglementation espagnole, la puissance active maximale sera égale à la puissance nominale. <sup>(2)</sup> Les plages de tension et fréquence de sortie peuvent varier en fonction des différents codes de réseau.

## 2.8. Description des accès de câbles



- A. Soupapes anti-condensation
- B. Sectionneurs CC
- C. Connecteurs rapides CC

- D. COM1 pour dongle de communications (Ethernet/Wi-Fi)
- E. COM4
- F. Câblage CA

## 3. Réception et stockage de l'appareil

### 3.1. Réception

Conservez l'appareil emballé jusqu'à son installation.

### 3.2. Identification de l'appareil

Le numéro de série de l'appareil permet de l'identifier de manière non équivoque. Ce numéro doit être mentionné lors de toute communication avec Ingeteam.

Le numéro de série de l'appareil est également indiqué sur la plaque signalétique.

### 3.3. Dommages lors du transport

Si, pendant le transport, l'appareil a été endommagé, procédez comme suit :

1. Ne procédez pas à son installation.
2. Informez immédiatement le distributeur dans les cinq jours suivant la réception de l'appareil.

S'il est finalement nécessaire de renvoyer l'appareil au fabricant, utilisez le même emballage que celui dans lequel il vous a été livré.

### 3.4. Stockage

#### ATTENTION

Le non-respect des instructions fournies dans cette section peut causer des dommages à l'appareil.

Ingeteam n'assume aucune responsabilité en cas de dommages découlant du non-respect de ces instructions.

Si l'appareil n'est pas installé immédiatement après sa réception, prenez en compte les éléments suivants afin d'éviter qu'il ne se détériore :

- L'appareil doit être stocké dans son emballage d'origine et à la verticale, sans oublier que son empilement n'est pas autorisé.
- Maintenez l'appareil à l'abri de la saleté (poussière, copeaux, graisse, etc.) et des rongeurs.
- Évitez qu'il ne reçoive des projections d'eau, des étincelles de soudures, etc.
- Couvrez l'appareil avec un matériau de protection respirant afin d'éviter la condensation due à l'humidité ambiante.
- Les appareils entreposés ne doivent pas être soumis à des conditions climatiques différentes de celles qui sont indiquées dans la section « 2.7. *Tableau des caractéristiques* ».
- Il est essentiel de protéger l'appareil des produits chimiques corrosifs ainsi que des atmosphères salines.
- N'entrez pas l'appareil à l'extérieur.

### 3.5. Conservation

Afin de permettre une bonne conservation des appareils, ne retirez pas l'emballage d'origine avant de procéder à leur installation.

En cas d'entreposage prolongé, il est recommandé de conserver les appareils dans des endroits secs, en évitant, si possible, les changements brusques de température.

La détérioration de l'emballage (déchirures, trous, etc.) empêche de conserver les appareils dans des conditions optimales avant leur installation. Ingeteam n'est pas tenu responsable du non-respect de cette condition.

## 4. Transport de l'appareil

L'appareil doit être transporté en position verticale, protégé contre les chocs mécaniques, les vibrations, les projections d'eau (pluie) et tout autre produit ou situation pouvant l'endommager ou altérer son comportement. Le non-respect de ces instructions peut entraîner la perte de la garantie du produit ; Ingeteam n'en est pas responsable.

### 4.1. Transport

#### Transport par transpalette ou chariot élévateur

Vous devez respecter au minimum les exigences suivantes :

1. Déposez les appareils emballés au centre des fourches.
2. Veillez à les placer le plus près possible de la jonction entre les fourches et le tireur.
3. Assurez-vous que les fourches sont parfaitement nivelées afin d'éviter que l'appareil ne se renverse.
4. Dans tous les cas, respectez le manuel d'utilisation du transpalette ou du chariot.

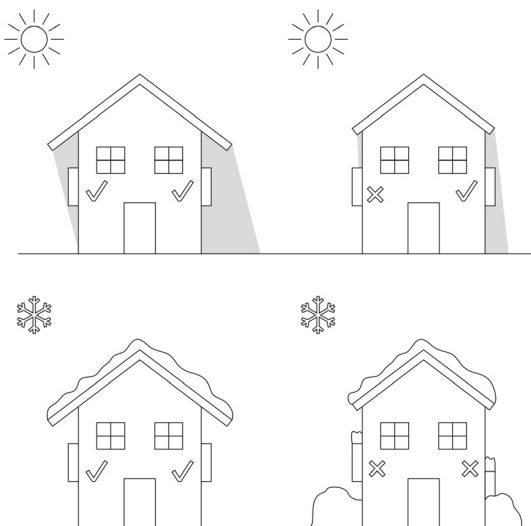
Une fois l'appareil transporté à l'endroit où il sera placé, et uniquement au moment de son installation, déballez-le.

## 5. Préparation pour l'installation de l'appareil

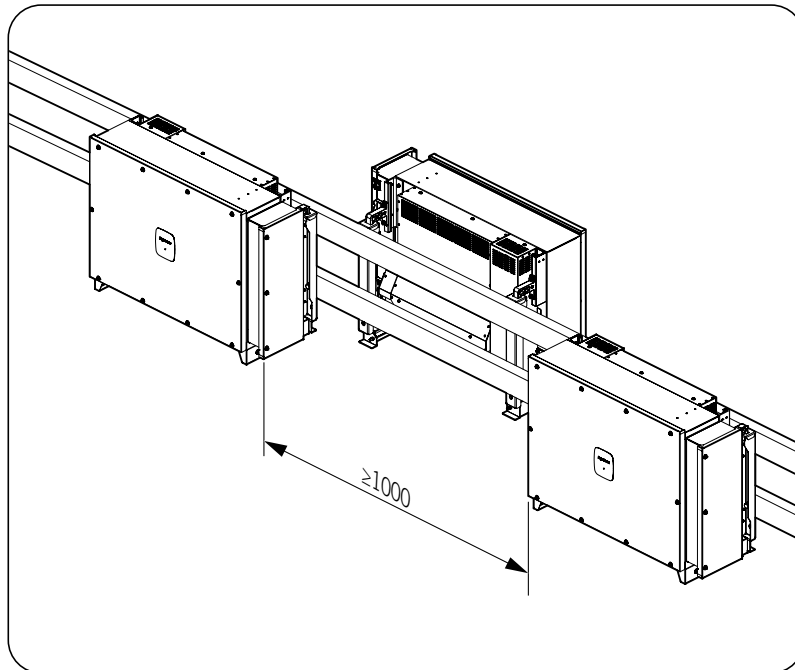
Au moment de décider de l'emplacement de l'appareil et de planifier son installation, vous devez suivre un ensemble de règles découlant de ses caractéristiques. Ces règles sont résumées dans ce chapitre.

### 5.1. Environnement

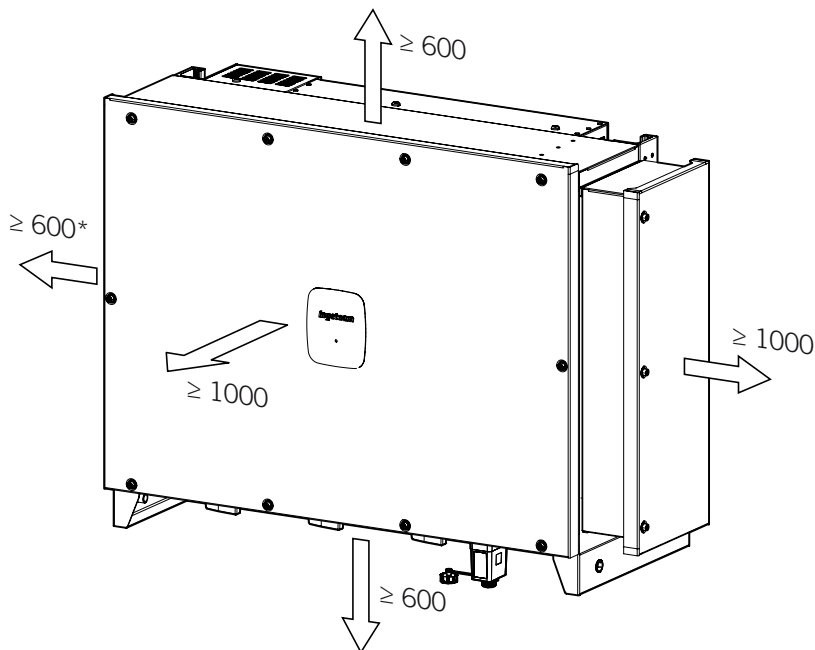
- Ces appareils peuvent être installés en intérieur et extérieur.
- Placez les appareils dans un lieu accessible pour les travaux d'installation et de maintenance, et permettant l'accès au panneau de commande.
- Évitez les environnements corrosifs pouvant affecter le bon fonctionnement de l'onduleur.
- Ne laissez aucun objet appuyé sur l'appareil ou contre ses côtés, cela pourrait entraver la ventilation et provoquer des hautes températures.
- N'exposez pas les onduleurs au rayonnement solaire direct.
- N'installez pas les appareils dans des salles habitées en raison du bruit provoqué par leur fonctionnement.
- En cas d'installation des appareils dans des espaces fermés (chambre, poste, etc.), assurez une ventilation correcte. La plage de fonctionnement des appareils dépend de leur température ambiante ; une ventilation insuffisante peut donc limiter leurs capacités.



- Si plus d'un onduleur est installé, assurez-vous que l'extraction de l'air chaud des uns ne gêne pas la bonne ventilation des autres. Il faut laisser une séparation latérale entre eux d'au moins 1 000 mm.



- Évitez tout obstacle sur les distances minimales suivantes.



\* En cas d'installation de plusieurs onduleurs contigus, la distance minimale entre eux sera de 1 000 mm.

## 5.2. Conditions environnementales

Vous devez tenir compte des conditions environnementales de fonctionnement de l'appareil indiquées à la section « 2.7. [Tableau des caractéristiques](#) » pour choisir son emplacement.

Il convient de prendre en compte que, de façon occasionnelle, il peut se produire une condensation modérée résultant des variations de température. Pour cette raison, et en marge de la protection de l'appareil, il est

nécessaire de surveiller ces appareils, une fois mis en marche dans des lieux qui pourraient ne pas être conformes aux conditions décrites précédemment.

En cas de condensation, l'appareil ne doit en aucun cas être mis sous tension.

### 5.3. Surface d'appui et de fixation

Ces onduleurs doivent être installés à la verticale.

Pour fixer l'appareil, il faudra réserver un mur ou une structure solide permettant de percer et d'incorporer des éléments de fixation adéquats pour supporter le poids de l'appareil.

### 5.4. Protection du raccordement au réseau électrique

Il est nécessaire d'installer des éléments de protection au niveau de la connexion entre l'onduleur et le réseau électrique.

#### Disjoncteur magnétothermique

Il est nécessaire d'installer un disjoncteur magnétothermique et/ou un fusible au niveau de la connexion entre l'onduleur et le réseau électrique.

Le tableau suivant fournit les données nécessaires pour la sélection de ce dispositif par l'installateur.

Courant maximal de l'onduleur	Courant nominal du disjoncteur magnétothermique
187 A	250 A

Lorsque vous sélectionnez la protection d'une installation, tenez compte que son pouvoir de coupure est supérieur au courant de court-circuit du point de connexion au réseau.

Lors du choix des éléments de protection corrects, tenez compte que la température ambiante de service influe sur le courant maximal admissible par ces protections, comme stipulé par le fabricant.

#### Disjoncteur

Si la réglementation actuelle du pays de l'installation exige une protection différentielle entre l'onduleur et le réseau électrique, elle devra être supérieure à 1 230 mA.

### 5.5. Type de réseau

Ces appareils peuvent être connectés à des réseaux triphasés de type IT, TT et TN.

### 5.6. Longueur du câblage

L'onduleur mesure la tension à ses bornes de connexion ; pour cette raison, l'installateur doit utiliser un câble AC d'une impédance suffisamment basse pour que l'augmentation de tension dans le câble (entre le transformateur de distribution et l'appareil) ne provoque pas la déconnexion de ce dernier pour haute tension.

### 5.7. Panneaux photovoltaïques

Les panneaux photovoltaïques de l'installation doivent être de classe A (*CEI 61730*). Étant donné que ces appareils n'admettent pas la mise à la terre des panneaux photovoltaïques, les pôles positif et négatif du champ photovoltaïque ne doivent pas être connectés à la terre. Sinon, l'onduleur renvoie une erreur d'isolement.

Cependant, la structure métallique sur laquelle reposent les panneaux photovoltaïques et/ou le cadre métallique du panneau peuvent, eux, être connectés à la terre.

### 5.8. Système de déconnexion externe

Pour les tâches d'inspection de l'appareil, il faut ôter la tension d'alimentation DC et AC. Pour cela, l'installateur devra installer un système de déconnexion externe.

## 6. Installation de l'appareil

Vérifiez l'absence de condensation à l'intérieur de l'emballage. En cas de signes de condensation, l'appareil ne doit pas être installé avant d'avoir entièrement séché.

### ⚠ ATTENTION

Toutes les opérations d'installation devront être conformes à la réglementation en vigueur.

Toutes les opérations impliquant un mouvement de poids importants devront être réalisées à l'aide des moyens d'assistance mécanique nécessaires (grue, palan, etc.).

Si l'installation photovoltaïque se trouve en France, il faudra coller fermement sur chaque onduleur les étiquettes indiquées dans les normes *C18-510* et *C15-712-1/2/3*.

### 6.1. Exigences générales d'installation

- L'environnement de l'appareil doit être adéquat et satisfaire aux directives prescrites dans le chapitre « 5. Préparation pour l'installation de l'appareil ». Par ailleurs, les éléments employés dans le reste de l'installation devront être compatibles avec l'appareil et conformes à la loi applicable.
- La ventilation et l'espace de travail devront être adéquats pour les travaux de maintenance conformément à la réglementation en vigueur.
- Les dispositifs extérieurs de connexion doivent être adéquats et suffisamment proches comme stipulé dans la réglementation en vigueur.
- La section des câbles d'alimentation doit être adaptée à l'intensité maximale.
- Veillez à ce qu'aucun élément extérieur ne se trouve à proximité des entrées et sorties d'air pouvant empêcher le bon refroidissement de l'appareil ; respectez pour cela les distances indiquées dans la section « 5.1. Environnement ».

### 6.2. Fixation de l'appareil au mur

#### ⚠ ATTENTION

Ces onduleurs permettent une installation murale ou grâce à un support de montage. Le mur ou la structure sur lequel ils sont installés doit être capable de supporter leur poids.

En cas d'installation murale, la capacité de charge de ce mur devra être supérieure à 10 kN/m<sup>2</sup>, il faudra utiliser des boulons d'expansion en acier inoxydable M12x60 mm.

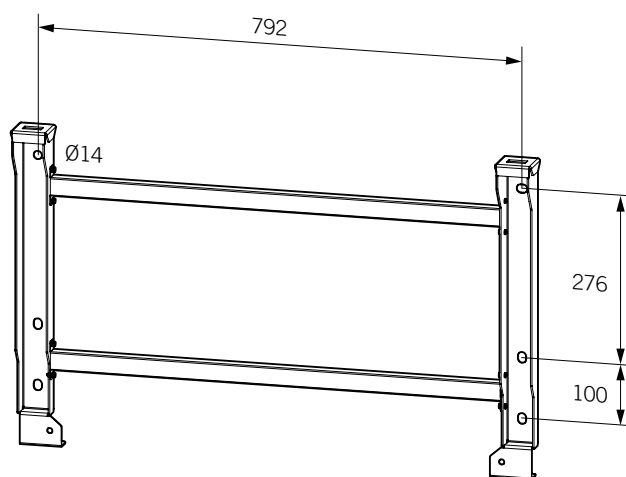
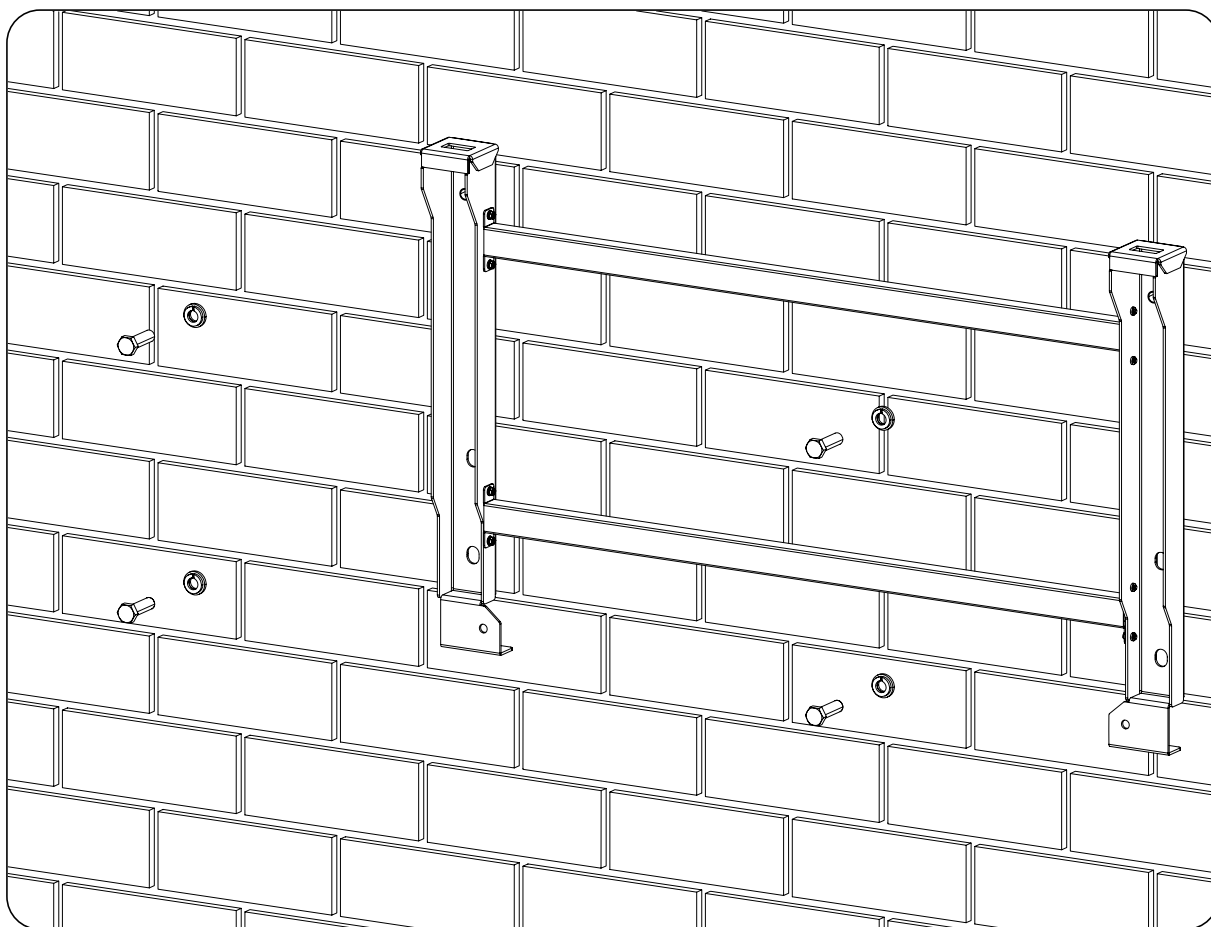
Ces appareils disposent d'un système de fixation au mur à l'aide d'une platine. Voici les étapes pour fixer correctement l'appareil au mur. Veuillez tenir compte du poids de l'appareil.

La platine de fixation supérieure des appareils supporte le poids. Les trous du bas permettent de fixer l'onduleur au mur et d'éviter les vibrations.

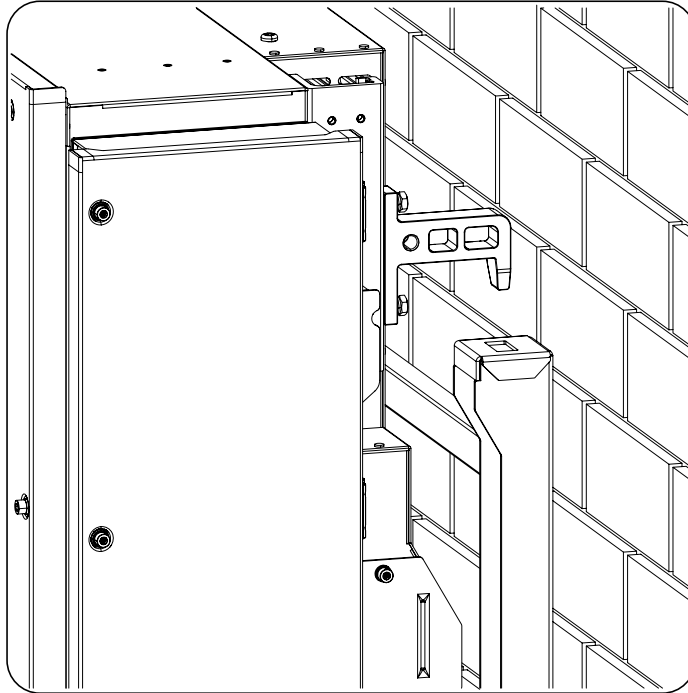
1. Placez la platine au mur à l'aide d'un niveau pour assurer l'horizontalité, et marquez les trous.
2. Percez les trous à l'aide d'une mèche adaptée au mur et aux éléments de fixation que vous utiliserez ensuite pour fixer l'onduleur. Les orifices de la platine et de l'onduleur présentent un diamètre de 14 mm.



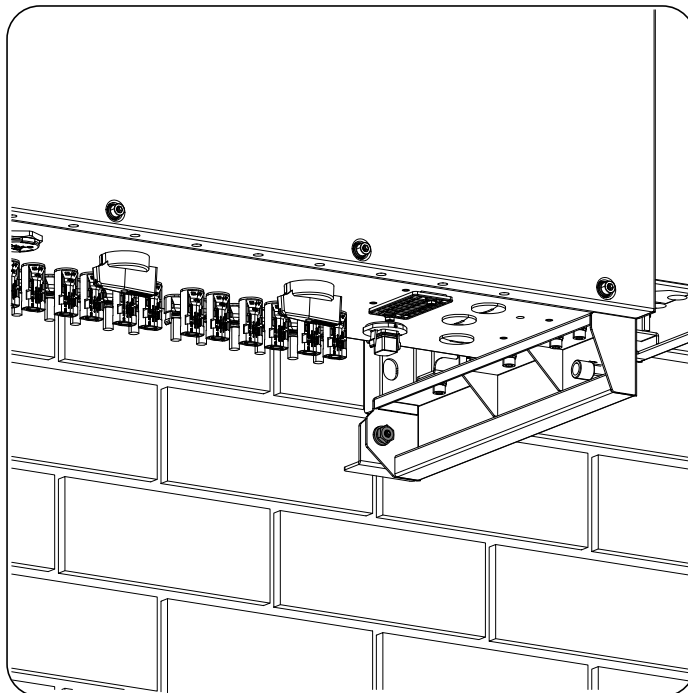
- Fixez la platine grâce à des éléments de fixation adéquats pour le mur ou la structure sur lequel elle sera installée, en tenant compte des mesures indiquées ci-après.



4. Posez l'appareil sur la platine.



5. Vissez les deux vis M8 inférieures en appliquant un couple de 12 Nm.



6. Vérifiez que l'appareil est fermement fixé.

Une fois que l'appareil est installé correctement, vous pouvez procéder aux connexions.

Raccordez les connexions en suivant l'ordre suivant :

1. Raccordement de la protection externe de mise à la terre.
2. Raccordement de communications.
3. Connexion CA.

## 4. Connexion DC.

**⚠ ATTENTION**

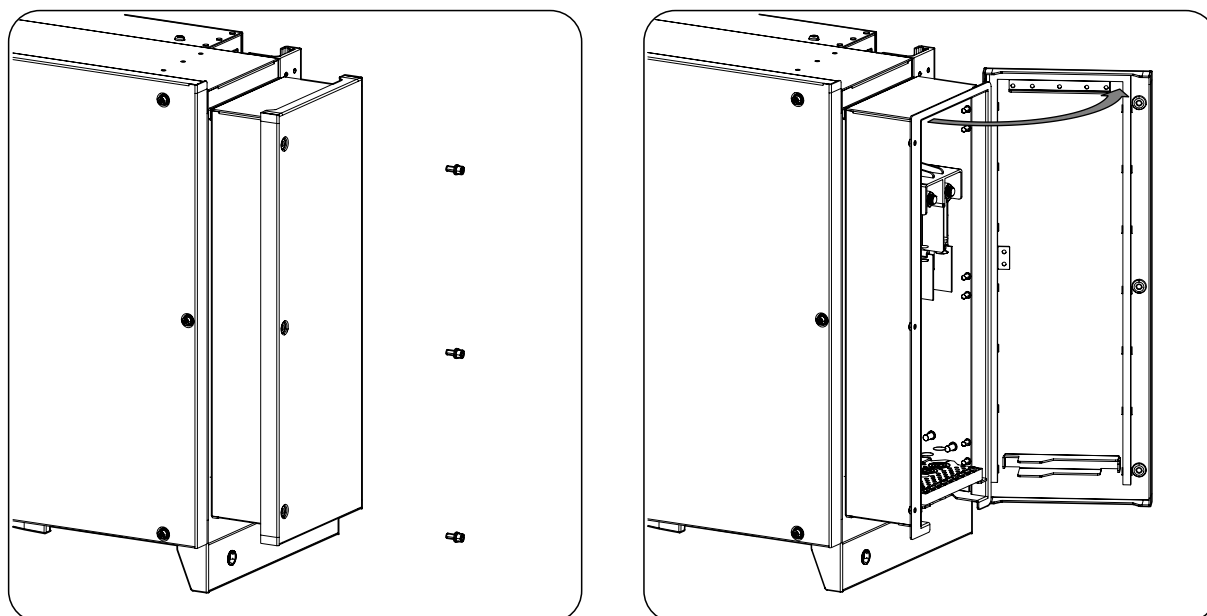
Vous devez obligatoirement respecter l'ordre décrit ci-dessus. N'alimentez pas l'appareil avant d'avoir effectué tous les raccordements.

### 6.3. Ouverture et fermeture de l'enveloppe

**⚠ ATTENTION**

Dans des conditions normales d'utilisation, il n'est pas nécessaire d'ouvrir l'habitacle principal.

Pour accéder à l'habitacle CA, retirez les vis M6 et ouvrez le couvercle comme indiqué ci-après.



Après avoir réalisé les différents raccordements expliqués dans les sections suivantes, il faudra fermer l'appareil avant de procéder à la mise en marche. Pour réaliser la fermeture de l'enveloppe, il faudra visser les vis indiquées précédemment en appliquant un couple de 4 Nm.

Vérifiez la fermeture correcte de l'appareil avant de procéder à la mise en marche.

## 7. Raccordement de la protection externe de mise à la terre

Ce chapitre explique les spécifications du câblage de terre et son processus de raccordement à l'appareil.

Lisez-le attentivement avant de commencer le processus de connexion.

### **i** INFOS

Avant de manipuler l'appareil, consultez la section « *Conditions importantes de sécurité* » ainsi que les indications suivantes.

### 7.1. Consignes de sécurité pour le raccordement de la protection externe de mise à la terre.

#### **⚠ DANGER**

Assurez-vous de l'absence de tension sur l'appareil et que le raccordement CC n'a pas été réalisé avant de débiter le raccordement à la terre.

**N'alimentez pas** l'appareil avant d'avoir réalisé correctement tous les autres raccordements.

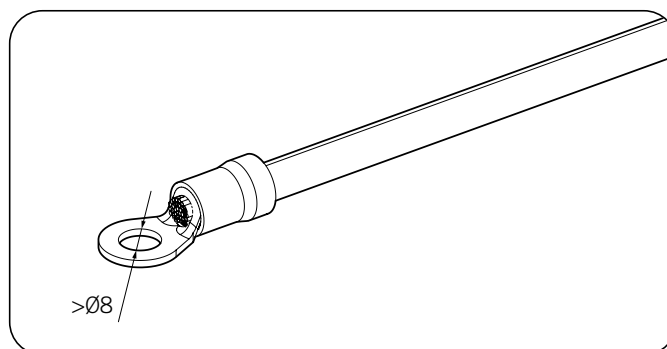
Utilisez l'Équipement de Protection Individuelle indiqué à la section « *Équipements de protection individuelle (EPI)* ».

#### **⚠ ATTENTION**

Ingeteam n'est pas responsable des dommages qu'une mauvaise connexion pourrait entraîner.

### 7.2. Spécifications de câblage pour le raccordement de la protection externe de mise à la terre

	110TL M9
Section du câblage	70 ~ 240 mm <sup>2</sup>
Matériau du câblage	Cuivre
Type de cosse	Ronde ou à anneau
Trou fileté sur l'onduleur	M8
Couple de serrage	7 Nm



La responsabilité de la dimension du câble de terre incombe à l'installateur, elle devra répondre aux exigences réglementaires s'appliquant à l'installation.

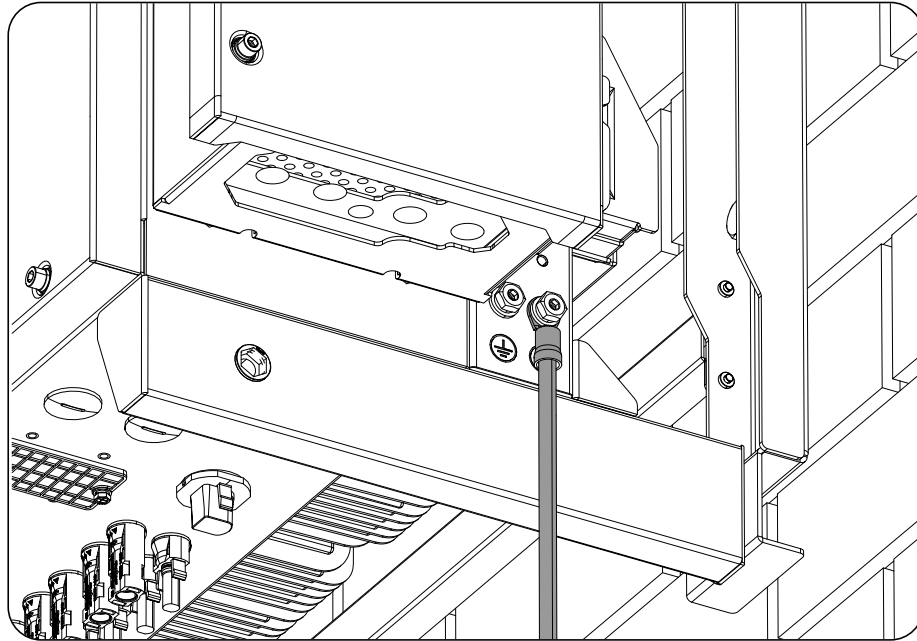
## 7.3. Processus de raccordement de la protection externe de mise à la terre

### **ATTENTION**

Raccorder la protection externe de mise à la terre n'implique pas que le raccordement de PE sur la partie CA ne soit obligatoire. Il faut qu'ils soient tous deux correctement raccordés et mis à la terre.

Ingeteam n'est pas responsable des conséquences découlant du non respect de cette consigne.

Raccordez la cosse avec la vis et la rondelle fournies dans le trou fileté prévu à cet effet.



## 8. Raccordement de communications

Ce chapitre explique les spécifications du câblage de terre et son processus de raccordement à l'onduleur.

Lisez-le attentivement avant de commencer le processus de connexion.

### 8.1. Consignes de sécurité pour le raccordement de communications

#### **⚠ DANGER**

Garantissez l'absence de tension sur l'appareil avant d'effectuer toute connexion.

**N'alimentez pas** l'appareil avant d'avoir réalisé correctement tous les autres raccordements.

Utilisez l'Équipement de Protection Individuelle indiqué à la section « *Équipements de protection individuelle (EPI)* ».

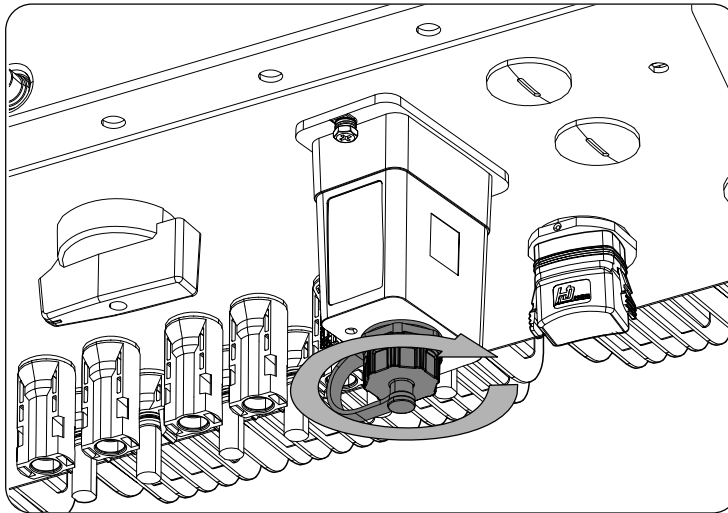
#### **⚠ ATTENTION**

Ingeteam n'est pas responsable des dommages qu'une mauvaise connexion pourrait entraîner.

Une fois le dongle de communications raccordé, et à condition de ne pas utiliser le connecteur Ethernet, il faut fermer le couvercle fileté du connecteur.

De la même manière, les couvercles du reste des connecteurs de communications devront rester en place.

Ingeteam n'est pas responsable des conséquences découlant du non respect de ces directives.



*Couvercle fileté pour le connecteur Ethernet*

### 8.2. Raccordement de la communication via Ethernet

Il est possible de communiquer avec un onduleur par Ethernet.

#### 8.2.1. Exigences du câblage

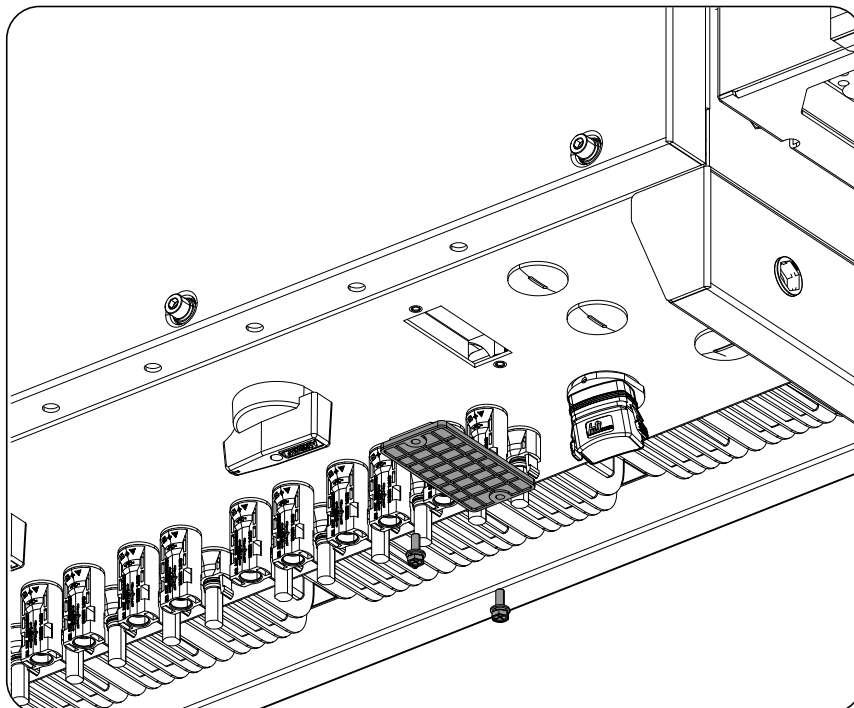
Pour la communication Ethernet, utilisez un câble de 4 à 6 mm de diamètre.

## 8.2.2. Processus de connexion

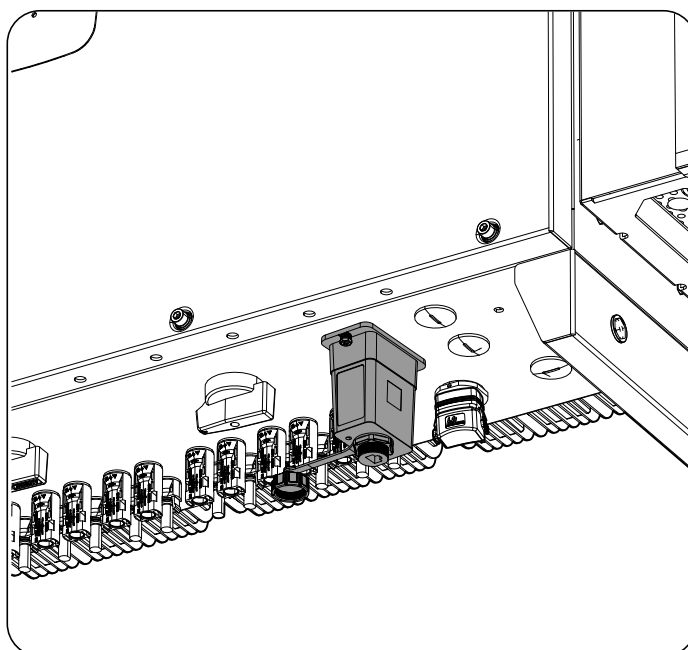
### **i** INFOS

Le dongle de communications est conçu pour pouvoir raccorder le câble Ethernet en conservant le niveau de protection de l'onduleur.

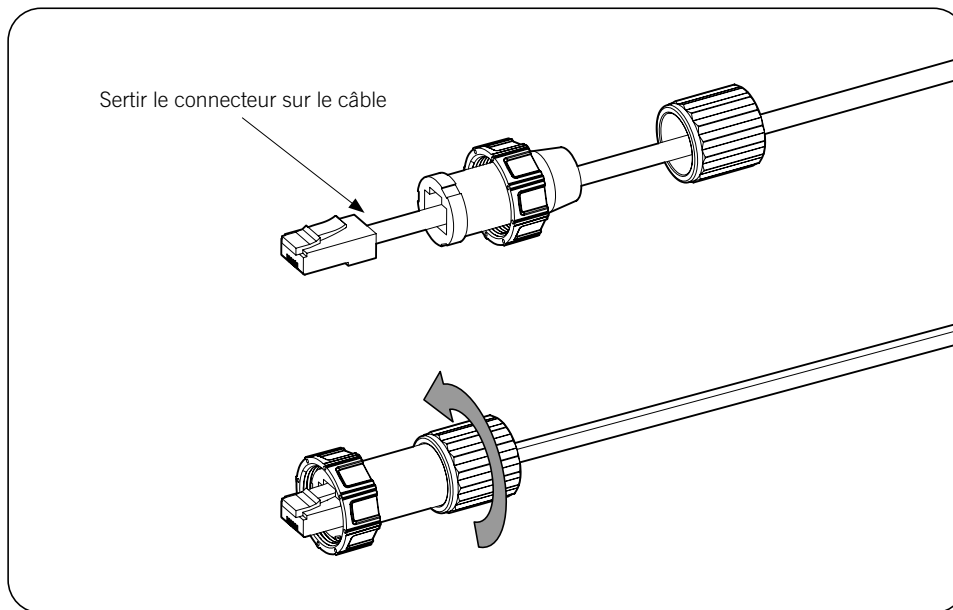
1. Retirez le couvercle de protection de *COM1*.



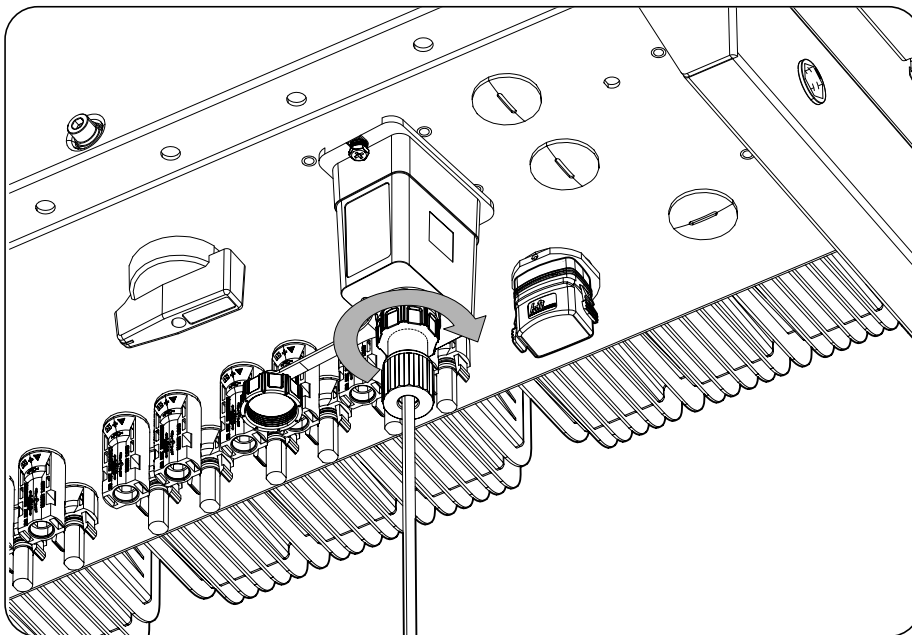
2. Raccordez le dongle de communications Ethernet/Wi-Fi, en l'assurant à l'aide de deux vis (couple de serrage 0,8 Nm).



3. Pour garantir le niveau de protection, il faut utiliser le connecteur fourni avec l'onduleur.



4. Raccordez le câblage Ethernet.



### 8.3. Connexion Wi-Fi

#### **⚠ ATTENTION**

En cas d'utilisation de la connexion Wi-Fi au lieu du raccordement Ethernet, la prise de raccordement Ethernet devra rester fermée par son couvercle afin de garantir le niveau de protection.

Voir le chapitre « [12.3. Connexion de l'onduleur à un réseau Wi-Fi](#) ».

### 8.4. Raccordement de la communication du port COM4

La communication RS-485 est configurée par défaut pour être un esclave Modbus avec un ID de 01. Cette adresse peut être modifiable.



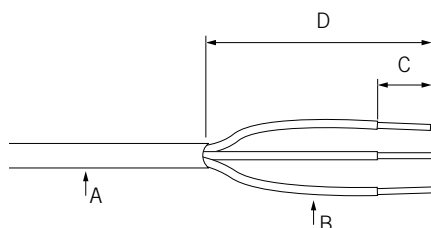
Pour que la communication se fasse avec un wattmètre, le modèle de wattmètre à connecter doit être configuré. Voir le document ACL2010IMB03 - Liste des wattmètres approuvés pour Ingecon Sun 110TL M9.

### **ATTENTION**

Si la connexion RS-485 n'est pas utilisée, le couvercle COM4 doit être laissé en place.

## 8.4.1. Exigences du câblage

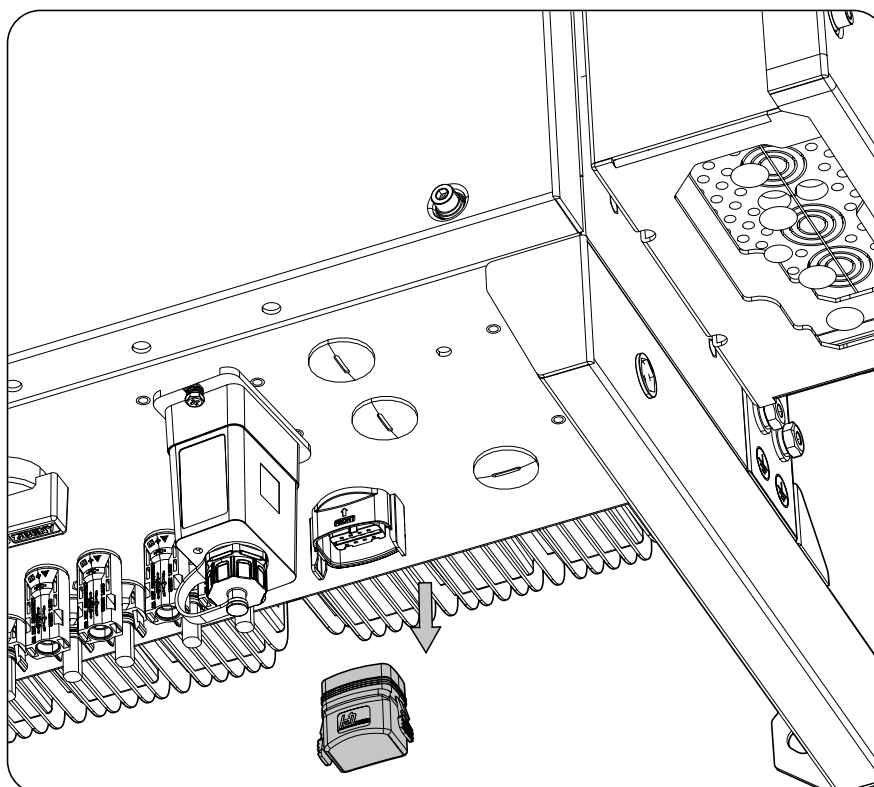
Les caractéristiques des câbles pour le raccordement de la communication RS-485 sont présentées dans le tableau suivant :



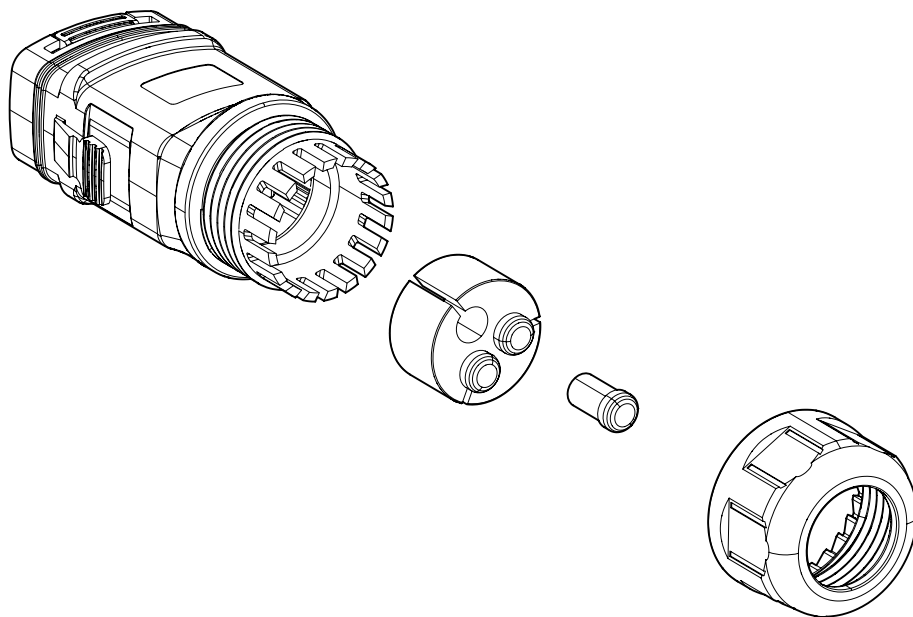
A	B	C	D
Diamètre	Section	Longueur	Longueur
12 ~ 14 mm	0,50 mm <sup>2</sup> ~ 0,75 mm <sup>2</sup>	7 ~ 8 mm	31 ~ 35 mm

## 8.4.2. Processus de connexion

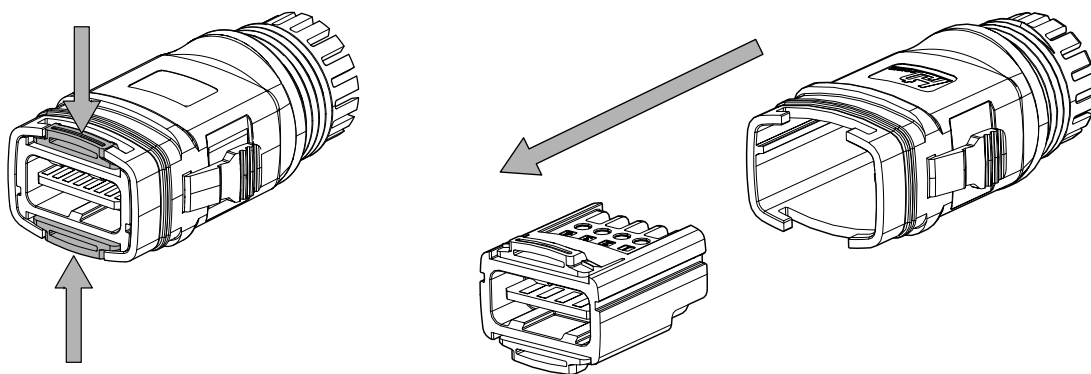
1. Retirez le couvercle de protection du connecteur COM4 de l'onduleur.



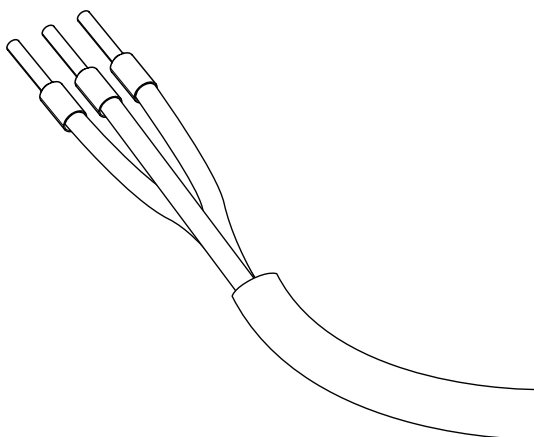
2. Ôtez l'écrou arrière du connecteur aérien et retirez l'un des bouchons du caoutchouc de serrage.



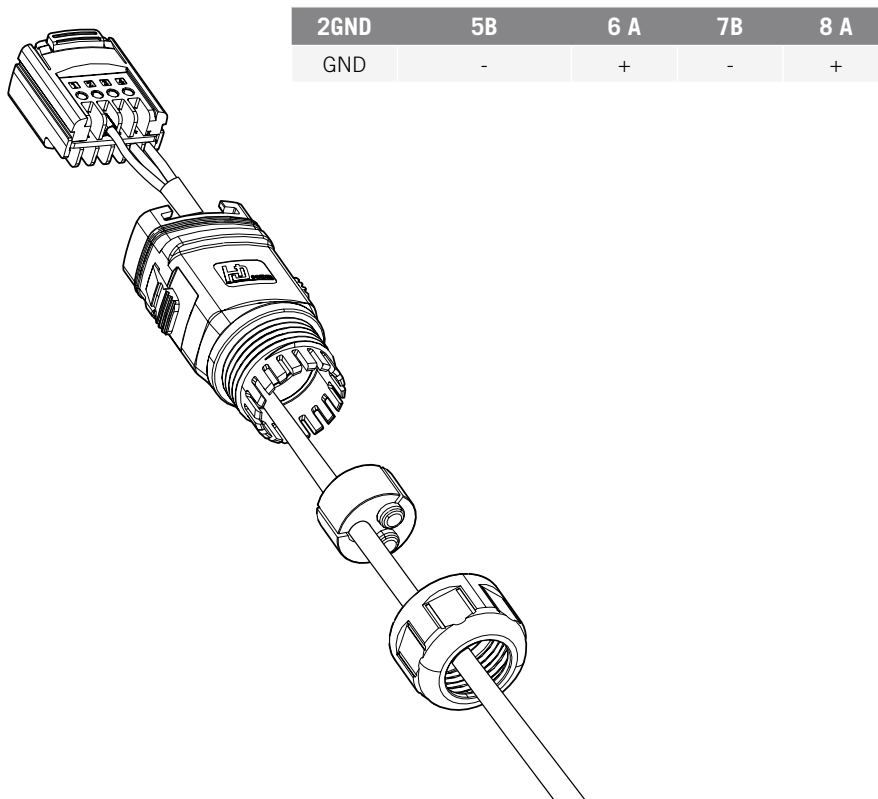
3. Retirez le boîtier du connecteur aérien pour accéder à la zone des raccordements.



4. Sertissez les 3 fils.

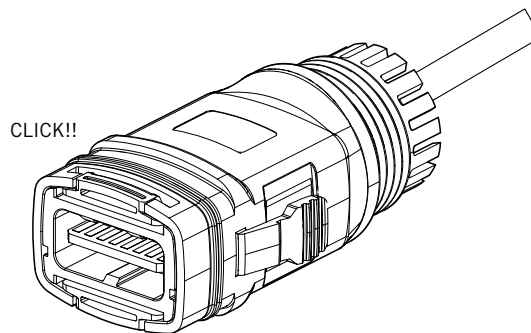


5. Raccordez les broches 2, 5 et 6 à la zone de raccordements du connecteur aérien. Serrez au couple de 1,2 Nm.

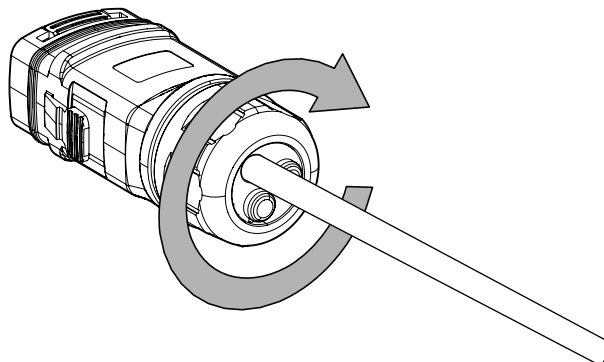


Sur le connecteur, les broches positives et négatives de la communication RS-485 sont dupliquées afin de pouvoir continuer vers un autre nœud si nécessaire. En cas de communication unique, n'utiliser que les broches 2, 5 et 6.

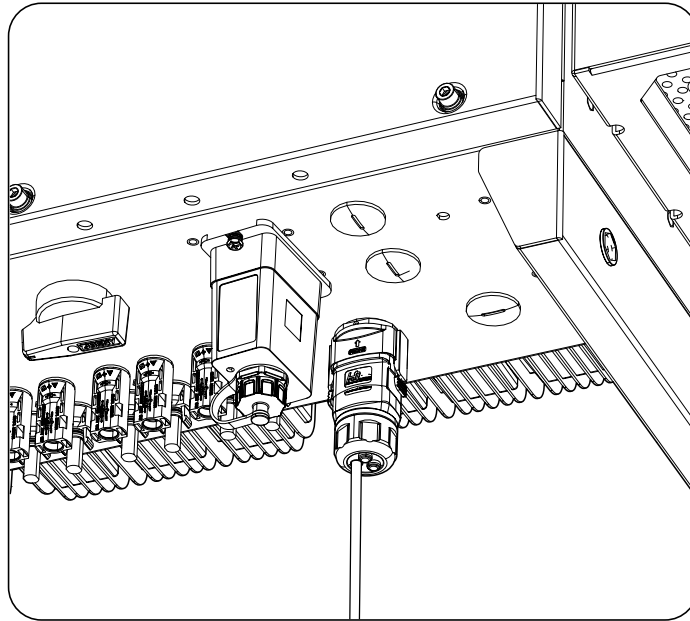
- Reposez le boîtier du connecteur. Vous entendrez un clic lorsqu'il sera correctement inséré.



- Serrez l'écrou arrière du connecteur.



8. Raccordez le connecteur aérien à celui COM4 de l'onduleur.



## 9. Connexion de câbles AC

Ce chapitre explique les spécifications des câbles AC et le processus de connexion de ces derniers à l'appareil. Lisez-le attentivement avant de commencer le processus de connexion.

### INFOS

Avant de manipuler l'appareil, consultez la section « [Conditions importantes de sécurité](#) » ainsi que les indications suivantes.

Pour de plus amples informations sur le raccordement de l'onduleur dans l'installation, voir le chapitre « [2.6. Schéma électrique du système](#) ».

### 9.1. Consignes de sécurité pour la connexion de câbles CA

#### DANGER

Assurez-vous de l'absence de tension sur l'appareil et que la connexion DC n'a pas été réalisée avant de débiter la connexion AC.

**N'alimentez pas** l'appareil avant d'avoir réalisé correctement tous les autres raccordements.

Utilisez l'Équipement de Protection Individuelle indiqué à la section « [Équipements de protection individuelle \(EPI\)](#) ».

Respectez la polarité du câblage AC.

#### ATTENTION

Ingeteam n'est pas responsable des dommages qu'une mauvaise connexion pourrait entraîner.

Les communications de cet onduleur sont également alimentées depuis la partie CA.

### 9.2. Spécifications de câblage pour le raccordement CA

Afin de garantir la sécurité des personnes, pour le fonctionnement correct de l'appareil et pour être conforme à la réglementation applicable, l'appareil doit être raccordé à la terre de l'installation.

Si l'onduleur et le point de connexion au réseau sont séparés par une distance requérant l'utilisation de câbles d'une section supérieure, il est recommandé d'utiliser une boîte de distribution externe à proximité de l'onduleur pour réaliser ce changement de section.

Le raccordement CA devra se faire via des câbles monopolaires. Au total cinq câbles seront utilisés : trois phases, neutre (en option) et terre. Le matériau du conducteur peut être le cuivre ou l'aluminium.

Spécifications de câblage pour le raccordement CA				
Câblage	Type	Matériau	Section	Diamètre
Monopolaire	5 câbles monopolaires (L1, L2, L3, PE, N <sup>(1)</sup> )	Cuivre	70 mm <sup>2</sup> ~ 240 mm <sup>2</sup> $S_{PE} \geq S_L/2^{(2)}$	14 mm ~ 32 mm
		Aluminium	95 mm <sup>2</sup> ~ 240 mm <sup>2</sup> $S_{PE} \geq S_L/2^{(2)}$	

<sup>(1)</sup> En option, l'onduleur peut fonctionner sans le raccordement du neutre. <sup>(2)</sup>  $S_L$  : section de câble de phase.  $S_{PE}$  : section de câble PE

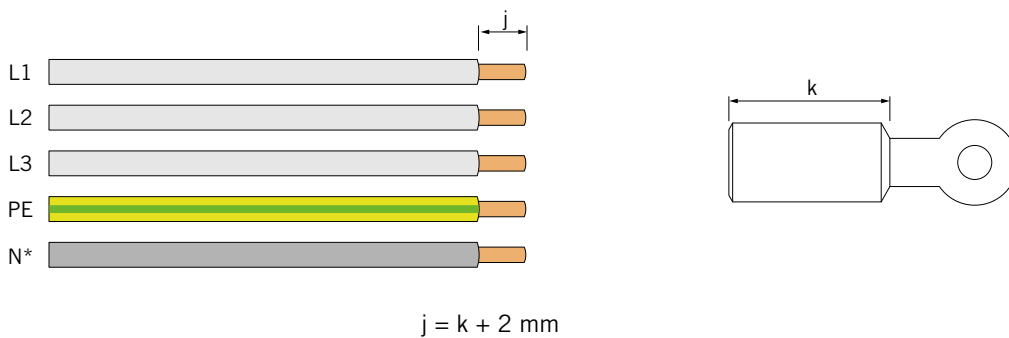
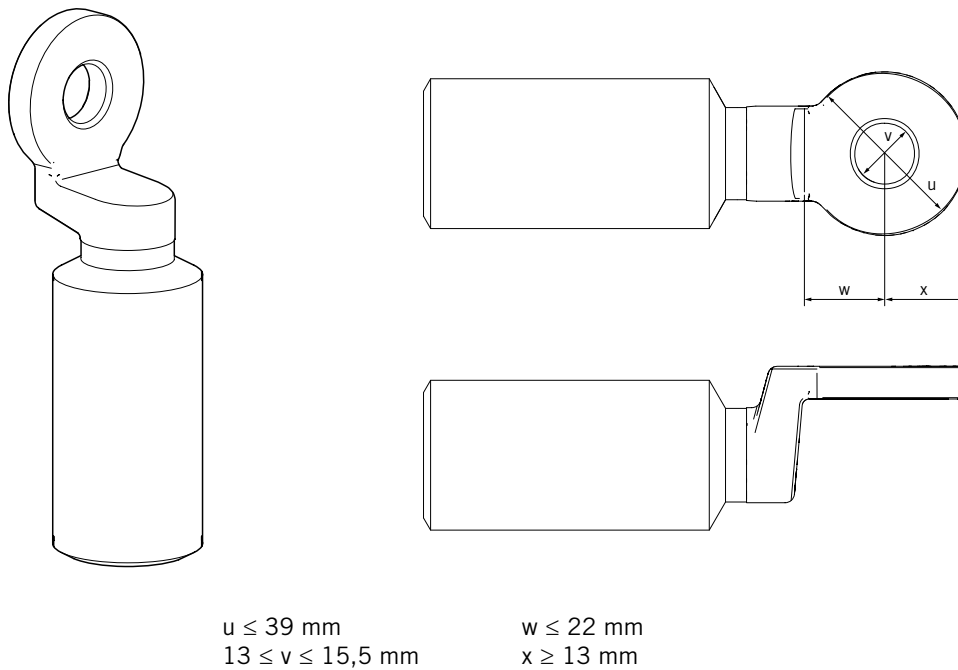
#### ATTENTION

En cas d'utilisation de câbles en aluminium, l'installateur devra disposer des moyens permettant d'éviter l'effet du couple galvanique (cosses bipolaires, interfaces bimétalliques, etc.)

La responsabilité de la dimension du câble de terre incombe à l'installateur, elle devra répondre aux exigences réglementaires s'appliquant à l'installation.

### 9.3. Spécifications des cosses pour la connexion AC

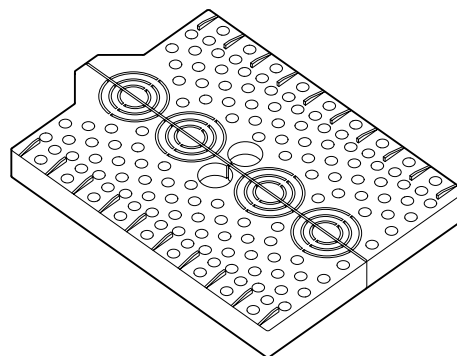
Pour assurer une bonne connexion, les cosses M12 doivent répondre aux exigences formelles suivantes.



### 9.4. Processus de connexion de câbles AC

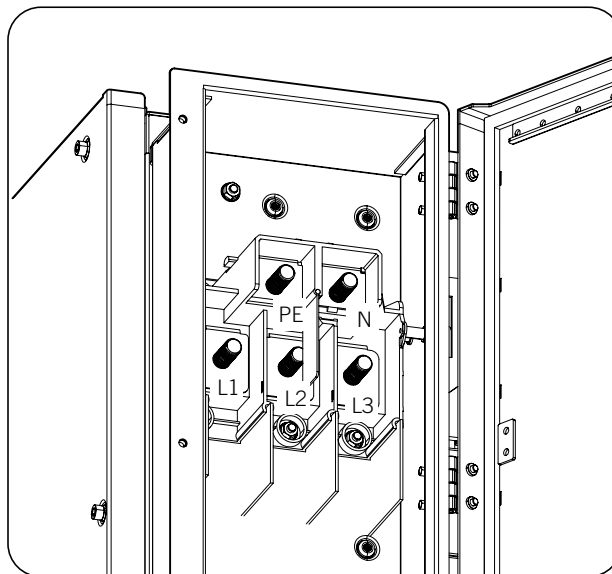
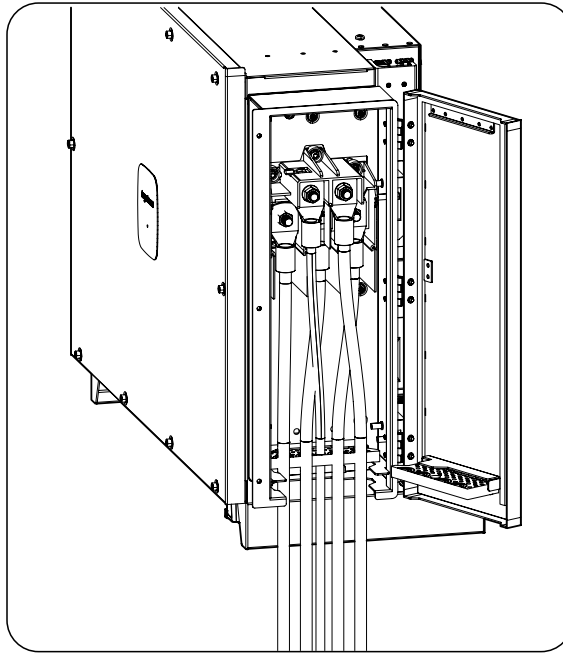
**i** **INFOS**

L'appareil dispose de différents systèmes de passage de câbles afin de faciliter l'installation de n'importe quelle section choisie par l'installateur.



1. Accédez à l'habitacle CA du côté de l'onduleur.

2. En respectant les polarités, raccordez les trois phases, le neutre et la terre aux bornes indiquées comme L1, L2, L3, N et PE. Le couple de serrage à appliquer sur les bornes est de 25 Nm.



**ATTENTION**

En cas de raccordement de l'appareil à un réseau TN-C, raccordez les trois phases aux bornes L1, L2, L3 et le câble PEN à la borne PE. Depuis la borne PE, raccordez un câble de section de plus de 12 mm<sup>2</sup> à la borne N pour disposer de captation du neutre.

3. Fermez le couvercle de l'habitacle CA en vérifiant que la membrane inférieure est bien posée.

## 10. Connexion de câbles DC

Ce chapitre explique les spécifications des câbles DC et le processus de connexion de ces derniers à l'appareil. Lisez-le attentivement avant de commencer le processus de connexion.

### INFOS

Avant de manipuler l'appareil, consultez la section « *Conditions importantes de sécurité* » ainsi que les indications suivantes.

### 10.1. Consignes de sécurité pour la connexion de câbles DC

#### DANGER

Garantissez l'absence de tension sur l'appareil avant d'effectuer toute connexion.

**N'alimentez pas** l'appareil avant d'avoir réalisé correctement tous les autres raccordements.

Utilisez l'Équipement de Protection Individuelle indiqué à la section « *Équipements de protection individuelle (EPI)* ».

Lorsque le champ photovoltaïque est exposé à la lumière du soleil l'onduleur présente une tension DC.

#### ATTENTION

Ingeteam n'est pas responsable des dommages qu'une mauvaise connexion pourrait entraîner.

### 10.2. Spécifications des câbles pour la connexion DC

#### ATTENTION

Le type de câblage utilisé pour le raccordement doit respecter les dimensions de la réglementation en vigueur dans le pays d'installation, et il doit être conforme au type d'installation, de courant et de tension maximum du champ photovoltaïque.

Les strings connectés aux connecteurs de l'appareil doivent être électriquement indépendants entre eux. En d'autres termes, il ne doit pas s'agir de strings de courant supérieur à celui autorisé séparés en plusieurs connecteurs car la répartition du courant n'est jamais garantie.

	Groupes de strings								
	1-2	3-4	5-6	7-8	9-10	11-12	13-14	15-16	17-18
Diamètre des câbles	5 ~ 8 mm								
Courant maximal par groupe de strings	40 ADC	40 ADC	40 ADC	32 ADC	32 ADC	32 ADC	32 ADC	32 ADC	32 ADC

L'onduleur inclut les connecteurs photovoltaïques aériens nécessaires au raccordement entre chaque string et l'appareil.

### 10.3. Processus de connexion de câbles DC

#### Assemblage de connecteurs aériens

#### DANGER

Il est indispensable de vérifier la polarité des strings et d'assembler correctement leurs connecteurs aériens afin de garantir que la connexion avec l'appareil se fait avec la polarité adéquate. Ingeteam n'est pas responsable des conséquences découlant d'une mauvaise connexion.

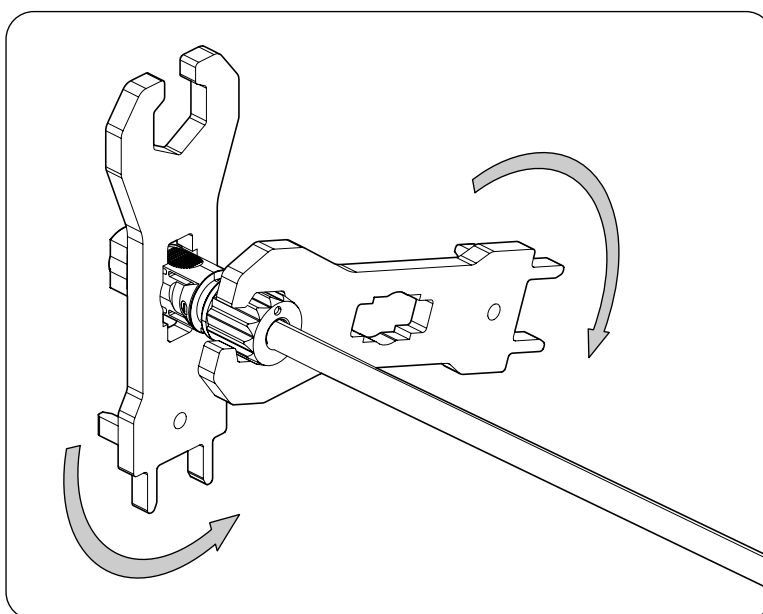
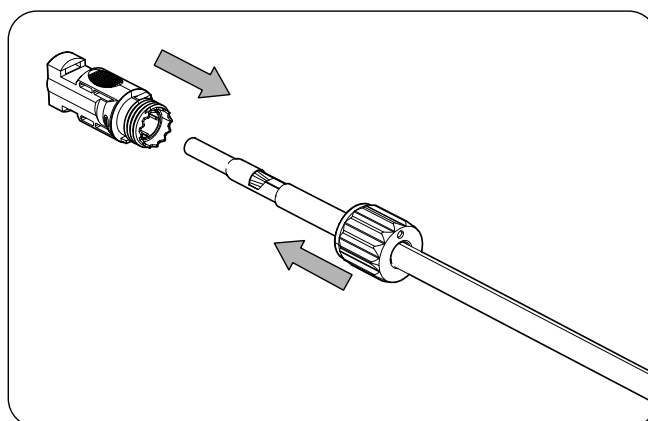
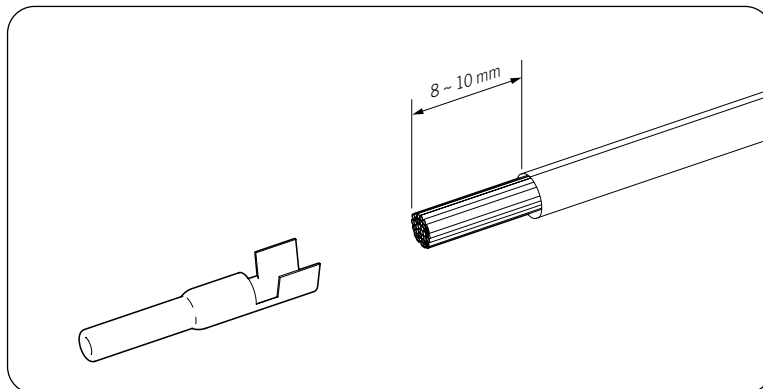


### Connexion via connecteurs rapides

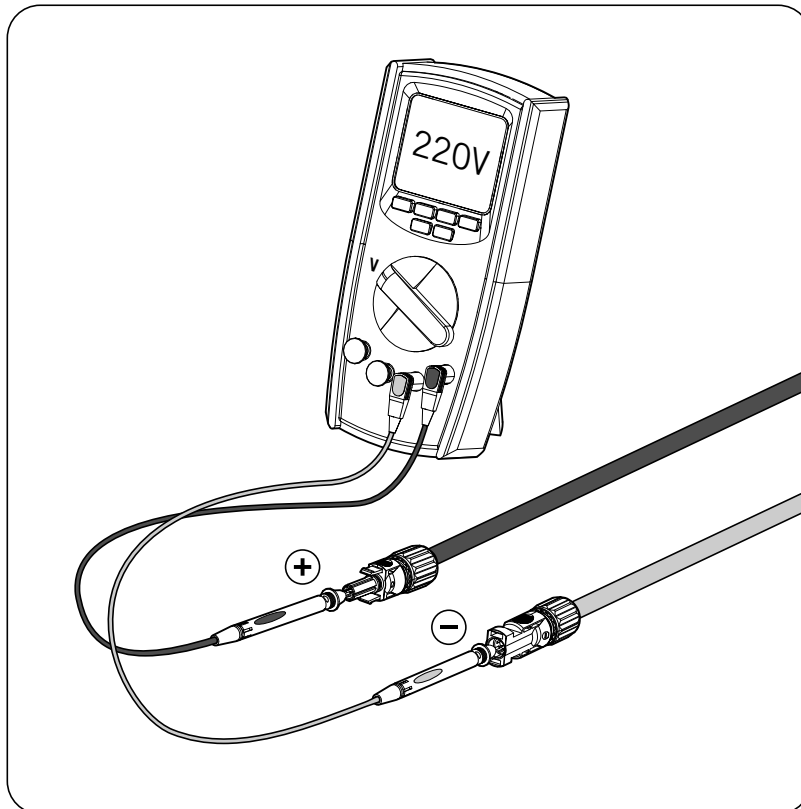
Pour garantir le fonctionnement correct du sectionneur, au moment de raccorder les strings il faut toujours respecter la numérotation. C'est-à-dire que le string n°1 devra être raccordé aux connecteurs PV1+ et PV1-. Il faudra procéder de la même manière avec le reste des strings à raccorder.

Avec le sectionneur sur Off et l'appareil totalement fermé :

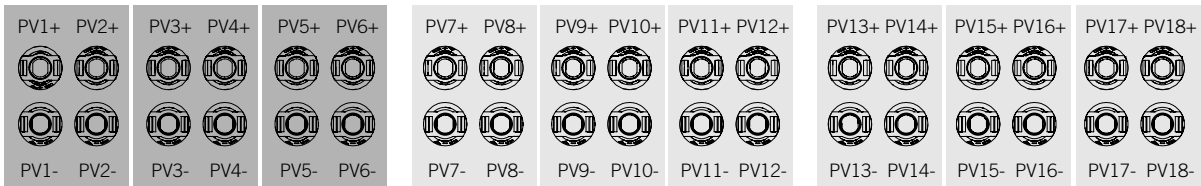
1. Retirez les bouchons des connecteurs auxquels seront raccordés les strings.
2. Installez les connecteurs aériens sur les câbles.



- Vérifiez la polarité des strings.



- Raccordez les strings à chacune des entrées en respectant les polarités indiquées sur la plaque de connexion inférieure de l'appareil. Il faudra également tenir compte de la numérotation de chaque entrée, en la respectant sur les pôles positif et négatif.



■ Courant maximal par groupe de strings : 40 ADC

■ Courant maximal par groupe de strings : 32 ADC

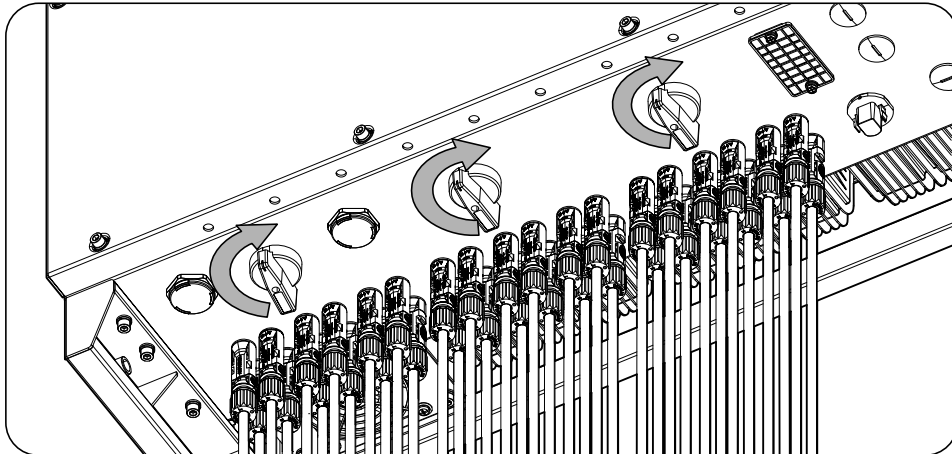
**⚠ DANGER**

Si vous inversez le raccordement du câblage et que le sectionneur DC est activé, cessez d'utiliser cet interrupteur et les connecteurs immédiatement. Sinon vous risquez d'endommager l'équipement.

Il faut attendre jusqu'à la nuit, lorsque les rayons du soleil diminuent, pour pouvoir les utiliser. Placez le sectionneur DC sur OFF, retirez les connecteurs et reconnectez-le en respectant la polarité.

Après avoir vérifié que tous les strings ont été raccordés correctement, assurez-vous de la fermeté des connexions.

5. Placez les sectionneurs DC sur la position On.



6. Si le raccordement n'est pas correct, si la tension CA est insuffisante ou inexistante, la LED du panneau de commande de l'appareil clignote en rouge.

# 11. Première connexion au réseau électrique

Ce chapitre décrit les étapes à suivre pour réaliser la première connexion de l'onduleur au réseau.

Les communications restent actives sur cet onduleur, étant donné qu'il est alimenté depuis la partie CA. Par exemple, une installation d'auto-consommation peut ainsi rester surveillée en l'absence d'énergie CC.

## 11.1. Révision de l'appareil

Il faut vérifier le bon état de l'installation avant la mise en marche.

Chaque installation diffère au niveau de ses caractéristiques, du pays où elle est installée ou d'autres conditions particulières qui s'y appliquent. Dans tous les cas, avant de procéder à la mise en marche, assurez-vous que l'installation est conforme à la loi et aux réglementations applicables et qu'elle est terminée, au moins la partie qui va être mise en marche.

### 11.1.1. Inspection

Avant la première connexion de l'onduleur au réseau, il faut réaliser une vérification générale des éléments suivants :

#### Révision du câblage

- Vérifiez que les câbles sont correctement raccordés à leurs connecteurs.
- Vérifiez que ces câbles sont en bon état, et qu'il n'existe pas de conditions qui pourraient les endommager, comme par exemple des sources de chaleur intense, des objets coupants ou des dispositions qui les exposent à des risques d'impacts ou de coups.
- Vérifiez les polarités des câbles DC et AC.

#### Révision de la fixation de l'appareil

Vérifiez que l'appareil est solidement fixé et ne risque pas de tomber.

### 11.1.2. Fermeture hermétique de l'appareil

Lors de l'installation, assurez-vous que les opérations de connexion de l'appareil n'ont pas altéré son degré d'étanchéité.

Veillez à ce que les connecteurs soient bien ajustés et les presse-étoupes bien fermés.

## 11.2. Connexion et configuration initiale

### INFOS

Pour commander l'onduleur depuis un smartphone ou une tablette, l'installation de l'app INGECON SUN Monitor est nécessaire, celle-ci est disponible depuis Apple Store et Play Store.



<https://apps.apple.com/br/app/ingecon-sun-monitor/id1434881715>


<https://play.google.com/store/apps/details?id=com.ingetteam.ingecon.sunmonitor>

L'interface utilisateur Web permet de configurer facilement l'onduleur via un ordinateur ou un smartphone.

Par défaut l'onduleur agit comme point d'accès Wi-Fi, en créant un réseau SoftAP avec un SSID du type *Ingeteam\_1MMxxxxxAxx\_MMMM*. Par défaut, ce réseau est protégé avec le mot de passe *ingeconsun*.

Suivez les indications suivantes pour établir une connexion locale et configurer l'onduleur :

**Connexion depuis un smartphone ou une tablette**

1. Installez l'application INGECON SUN Monitor.
2. Enregistrez-vous comme installateur agréé et accédez à l'icône  pour vous connecter localement à l'onduleur.
3. Suivez les étapes indiquées pour accéder à l'application Web de l'appareil.

**Connexion depuis un ordinateur.**

1. Connectez-vous au réseau Wi-Fi généré par l'onduleur.
2. Accédez à l'application depuis votre navigateur à l'adresse <http://169.254.1.1>. Vous devrez vous enregistrer comme installateur agréé.

Lors de la première connexion, un assistant vous indique les étapes à suivre pour réaliser une configuration optimale de l'appareil.

## 11.3. Connexion au réseau électrique

Une fois l'appareil configuré, fermer le disjoncteur magnétothermique AC externe à l'appareil pour l'alimenter en tension AC.

À partir de ce moment, l'appareil sera prêt à être connecté au réseau électrique. Si l'appareil ne se connecte pas, vérifiez s'il existe une alarme ou un arrêt manuel.

## 12. Utilisation de l'appareil

La gestion du fonctionnement de l'onduleur s'effectue via l'application Web.

### 12.1. Gestion de l'onduleur via l'application Web

Il est possible d'accéder à l'application de commande depuis différents types de dispositifs (smartphone, tablette ou ordinateur). La gestion de l'onduleur depuis l'application de commande peut être réalisée localement (onduleur et dispositif connectés au même réseau de communication) ou à distance (onduleur et dispositif connectés à des réseaux de communication différents).

Les sections suivantes décrivent le processus de connexion de l'onduleur localement ou à distance.

La configuration d'usine des communications consiste à disposer de :

- L'interface Ethernet en mode DHCP.
- L'interface Wi-Fi uniquement en mode Access Point.

### 12.2. Connexion locale à l'onduleur via votre réseau Wi-Fi


#### INFOS

Le réseau de communication Wi-Fi généré par l'onduleur est un réseau dont la fréquence sans fil est de 2.4 GHz.

L'onduleur est muni d'une étiquette indiquant le SSID et le mot de passe du réseau Wi-Fi (*Default local Wi-Fi access point*).

L'onduleur agit comme point d'accès Wi-Fi, en créant un réseau SoftAP. Pour réaliser une connexion locale à ce réseau, procédez comme suit :

#### Connexion depuis un smartphone ou une tablette

1. Installez l'application INGECON SUN Monitor.
2. Enregistrez-vous comme installateur agréé et accédez à l'icône  pour vous connecter localement à l'onduleur.
3. Suivez les étapes indiquées pour accéder à l'application Web de l'appareil.

#### Connexion depuis un ordinateur.

1. Connectez-vous au réseau Wi-Fi généré par l'onduleur.
2. Accédez à l'application depuis votre navigateur à l'adresse <http://169.254.1.1>. Vous devez vous enregistrer comme installateur agréé.
3. Accédez à l'aide du nom d'utilisateur et du mot de passe définis sur l'étiquette apposée sur l'onduleur (*Default local access login*).

### 12.3. Connexion de l'onduleur à un réseau Wi-Fi

#### INFOS

Le réseau de communication Wi-Fi que l'on souhaite connecter à l'onduleur doit être un réseau d'une fréquence sans fil de 2.4 GHz.

Ingeteam spécifie que le niveau minimum de signal Wi-Fi reçu par l'onduleur doit être supérieur à 50 % (-75 dBm) afin de garantir une connectivité optimale.

Si vous souhaitez connecter l'onduleur à un réseau Wi-Fi existant, respectez les étapes suivantes :

1. Connectez-vous localement à l'onduleur (voir « [5.4. Protection du raccordement au réseau électrique](#) »).
2. Rendez-vous dans le menu Comms dans la partie supérieure.
3. Sur le panneau gauche, sélectionnez Wi-Fi.

- Appuyez sur *CONNECT to Wi-Fi Network*. Une liste des réseaux Wi-Fi disponibles apparaît alors. Sélectionnez le réseau souhaité et saisissez le mot de passe le cas échéant.

#### **INFOS**

Si le nom d'identification SSID d'un réseau Wi-Fi ne peut pas être montré à l'utilisateur, saisissez le nom du réseau dans le champ *Custom SSID*.

## 12.4. Connexion à l'onduleur à distance

Pour vous connecter à l'onduleur à distance, vous devez être connecté à Internet via un réseau Wi-Fi ou via Ethernet. Une fois connecté à Internet, procédez comme suit :

- Accédez à INGECON SUN Monitor.
- Créez une centrale avec le *Device ID* et le *Password* de l'onduleur. Ces deux informations figurent sur l'étiquette présente sur l'onduleur.
- Accédez à la centrale pour voir le monitoring de l'installation. Vous pourrez également accéder à l'application Web de l'appareil.

#### **INFOS**

Tenir compte des spécifications suivantes :

- L'onduleur doit être connecté à un réseau local, disposant d'une sortie Internet sur les ports UDP80 (ou UDP1194) et TCP8883.
- Le dispositif depuis lequel s'effectue la connexion à distance doit disposer d'une sortie Internet sur les ports TCP80, TCP22 et TCP9001.

Par défaut, les ports nécessaires à la communication à distance sont ouverts sur les routeurs. Dans le cas contraire, demandez l'ouverture de ces ports à l'administrateur réseau.

Assurez-vous que la passerelle et le masque de réseau sont corrects, car sinon l'onduleur n'aura aucun accès à Internet. Par défaut l'onduleur travaille par DHCP et il n'est pas nécessaire de configurer ces paramètres sur un réseau avec serveur DHCP.

Si vous souhaitez configurer l'onduleur avec une IP fixe, consultez les propriétés de configuration réseau d'un ordinateur ou d'un autre dispositif se trouvant sur le même réseau, ou demandez à l'administrateur réseau.

## 12.5. Modification de la configuration IP d'un réseau Wi-Fi

Par défaut, lors de la connexion à un réseau Wi-Fi existant, l'onduleur obtient son adresse IP de manière dynamique (DHCP). En cas de connexion à un réseau sans serveur DHCP, ou si vous souhaitez configurer l'onduleur avec une adresse IP fixe, respectez les étapes suivantes :

- Accédez à l'application Web depuis le navigateur du dispositif.
- Entrez dans le menu supérieur *Comms*.
- Sur le panneau gauche, sélectionnez *Wi-Fi*.
- Cliquez sur l'option *Change* dans le champ *Primary*.
- Dans le sélecteur *IP Mode*, choisissez l'option *Fixed* ou *DHCP*.
- Si vous avez sélectionné *Fixed*, complétez les données à configurer (*adresse IP*, *masque IP* et *passerelle IP*).

#### **INFOS**

Pour vérifier que la passerelle et le masque de réseau sont corrects, accédez aux propriétés de configuration réseau d'un dispositif se trouvant sur le même réseau ou contactez l'administrateur réseau.

- Terminez en cliquant sur *Send*.

Une fenêtre apparaîtra avec les données de la nouvelle configuration d'adresse IP.

## 12.6. Modification de la configuration IP d'un réseau Ethernet

Par défaut, lors du raccordement à un réseau Ethernet, l'onduleur obtient son adresse IP de manière dynamique (DHCP). En cas de connexion à un réseau sans serveur DHCP, ou si vous souhaitez configurer l'onduleur avec une adresse IP fixe, respectez les étapes suivantes :

1. Accédez à l'application Web depuis le navigateur du dispositif.
2. Entrez dans le menu supérieur *Comms*.
3. Sur le panneau gauche, sélectionnez *Ethernet*.
4. Cliquez sur l'option *Change* dans le champ *Primary*.
5. Dans le sélecteur *IP Mode*, choisissez l'option *Fixed* ou *DHCP*.
6. Si vous avez sélectionné *Fixed*, complétez les données à configurer (*adresse IP, masque IP et passerelle IP*).

### INFOS

Pour vérifier que la passerelle et le masque de réseau sont corrects, accédez aux propriétés de configuration réseau d'un dispositif se trouvant sur le même réseau ou contactez l'administrateur réseau.

7. Terminez en cliquant sur *Send*.

Une fenêtre apparaîtra avec les données de la nouvelle configuration d'adresse IP.

## 12.7. Enregistrer l'onduleur dans INGECON SUN Monitor

INGECON SUN Monitor est une application pour le monitoring d'installations photovoltaïques. L'application existe également en version Web.

Afin d'enregistrer l'onduleur dans le Moniteur INGECON SUN, une étiquette est apposée sur l'onduleur, indiquant le *Device ID* et le mot de passe (*Register at [www.ingeconsunmonitor.com](http://www.ingeconsunmonitor.com)*).

### INFOS

L'enregistrement de l'onduleur doit être réalisé via l'application Web depuis [www.ingeconsunmonitor.com](http://www.ingeconsunmonitor.com).

## 12.8. Mise à jour du firmware de l'onduleur

### INFOS

Pour réaliser ce processus, l'onduleur doit être connecté à Internet via un réseau Wi-Fi ou via Ethernet.

1. Accédez à l'application Web depuis le navigateur du dispositif (voir « [12.4. Connexion à l'onduleur à distance](#) »).
2. Entrez dans le menu *Update*. S'il existe des mises à jour disponibles, elles seront indiquées.
3. Installez la mise à jour.

Il est également possible de réaliser cette opération à l'aide de la touche disponible dans l'application de commande.



## 13. États et alarmes de l'onduleur

Ces onduleurs disposent d'un éclairage LED sur la face avant, ainsi que d'une LED sur le dongle de communications. Ces éclairages indiquent l'état de l'onduleur et des communications, ainsi que la présence d'alarmes éventuelles.

### 13.1. États de l'onduleur (éclairage sur la face avant)

Couleur LED	Type d'éclairage LED	État
Vert	Clignotante	État de tentative de raccordement ou reconnexion au réseau (standby)
	Allumée	Onduleur raccordé au réseau électrique
Bleu	Allumée	Fonctionnement à puissance limitée
Rouge	Clignotante	Onduleur déconnecté du réseau électrique à cause d'une incidence active
	Allumée	Onduleur déconnecté du réseau électrique à cause d'un arrêt manuel
Blanc	Clignotante	Onduleur alimenté uniquement depuis CA

### 13.2. États des communications de l'onduleur (éclairage sur dongle de communications)

Couleur LED	Type d'éclairage LED	État
Bleu	Clignotante	Onduleur essayant d'établir communication
	Allumée	Onduleur avec communication active
	Éteinte	Onduleur sans communication

### 13.3. Alarmes

#### **INFOS**

Consultez le guide ACL0000IMC01 qui présente les alarmes et la résolution des problèmes pouvant survenir lors de l'installation et du fonctionnement. Pour le télécharger, accédez au site internet INGECON SUN Training ([www.ingeconsuntraining.info/?page\\_id=36472](http://www.ingeconsuntraining.info/?page_id=36472)).

## 14. Déconnexion de l'appareil

Pour déconnecter l'onduleur, suivez l'ordre suivant :

1. Arrêtez-le depuis l'application de commande.
2. Mettez l'appareil hors tension AC via un moyen de déconnexion externe.
3. Mettez l'appareil hors tension DC via un moyen de déconnexion externe ou via le sectionneur de l'appareil, à condition que vous évitiez de démonter les barrières de protection de l'alimentation DC.
4. S'il s'avère nécessaire de retirer ces protections (par exemple pour manipuler l'alimentation CC), il faudra mettre l'appareil hors tension CC en débranchant tous les connecteurs rapides.
5. Attendez 5 minutes que les capacités internes présentes se déchargent et que les éléments internes et externes refroidissent. En outre, il faudra attendre que les ventilateurs s'arrêtent.

## 15. Maintenance

Les travaux de maintenance recommandés seront réalisés au minimum une fois par an, sauf indication contraire.

### 15.1. Conditions de sécurité

#### DANGER

Toutes les vérifications de maintenance indiquées ici devront être réalisées lorsque l'appareil est arrêté, dans des conditions de manipulation sûres, intégrant les spécifications du client pour ce type d'opérations.

Garantissez l'absence de tension sur l'appareil avant d'effectuer toute intervention de maintenance.

Pendant la connexion de l'onduleur, il faut s'assurer de l'installation correcte des câbles sur les borniers de l'appareil, de sorte qu'aucune pièce sous tension de ce câble ne soit accessible.

Pour effectuer les travaux de maintenance sur l'appareil, vous devez utiliser les équipements de protection individuelle spécifiés dans la section « *Équipements de protection individuelle (EPI)* » du présent document.

#### ATTENTION

L'ensemble des conditions détaillées par la suite doivent être considérées comme un minimum.

Ingeteam n'assume pas la responsabilité des dommages dérivant d'une mauvaise utilisation des appareils. Toute intervention réalisée sur l'un de ces appareils et supposant une modification du câblage électrique par rapport au câblage initial doit être préalablement présentée à Ingeteam. Ces modifications devront être étudiées et approuvées par Ingeteam.

### 15.2. État de l'enveloppe

Il est nécessaire de vérifier périodiquement l'état de l'enveloppe en examinant l'état des fermetures et du couvercle ainsi que la fixation des appareils au mur. Il faut également vérifier l'état correct de l'enveloppe et l'absence de coups ou de rayures qui pourraient dégrader l'enveloppe ou lui faire perdre son indice de protection. Si ces types de défaut sont identifiés, réparez ou remplacez les parties concernées.

Vérifiez que les composants de l'enveloppe sont bien attachés à leurs fixations respectives.

### 15.3. État des câbles et des cosses

Il faut vérifier chaque année l'état des câbles et des cosses :

- Vérifiez la bonne disposition des câbles afin qu'ils n'entrent pas en contact avec des parties actives.
- Assurez-vous qu'il n'y a pas de défauts dans l'isolement et les points chauds en vérifiant la couleur de l'isolement et des cosses.
- Vérifiez que les connexions présentent le couple de serrage adéquat.

## 16. Traitement des déchets

Ces appareils utilisent des composants nocifs pour l'environnement (cartes électroniques, batteries ou piles, etc.).



Une fois la vie utile de l'appareil terminée celui-ci doit être confié à un centre de récupération agréé pour le traitement des déchets dangereux.

Installation and Operation Manual	EN
Manual de instalación y uso	ES
Manuel d'installation et usage	FR
<b>Manuale d'installazione e uso</b>	<b>IT</b>
Manual de instalação e uso	PT

## Importanti condizioni di sicurezza

In questa sezione sono descritti gli avvisi di sicurezza e il dispositivo di protezione individuale o la simbologia utilizzata nel dispositivo.

### Condizioni di sicurezza

#### Avvisi generali

##### PERICOLO

L'apertura dell'involucro non implica l'assenza di tensione all'interno.

Esiste un pericolo di scossa elettrica anche dopo aver scollegato la rete, l'impianto fotovoltaico e l'alimentazione ausiliaria.

Esso può essere aperto solo da personale qualificato seguendo le istruzioni riportate nel presente manuale.

È severamente vietato accedere all'interno dell'inverter da qualsiasi punto diverso dal vano AC. L'accesso deve essere effettuato sempre in mancanza di tensione.

##### ATTENZIONE

Le operazioni riportate nel presente manuale possono essere eseguite solo da personale debitamente qualificato.

Quando nel presente manuale si parla di personale qualificato, si intende personale che risponde a tutte le norme, le direttive e le leggi in materia di sicurezza, applicabili agli interventi di installazione e funzionamento di questo dispositivo.

La selezione del personale qualificato è sempre responsabilità della società della quale tale personale fa parte, in quanto la società in questione decide se un lavoratore è adatto o meno a svolgere un determinato lavoro, tutelandone così la sicurezza e rispettando la legge applicabile in materia di sicurezza sul lavoro.

Tali società devono impartire una formazione adeguata sui dispositivi elettrici al proprio personale e fare in modo che il personale prenda dimestichezza con il contenuto di questo manuale.

È obbligatorio rispettare la legge applicabile in materia di sicurezza per quanto riguarda i lavori elettrici. Esiste il pericolo di scosse elettriche.

Il rispetto delle istruzioni di sicurezza esposte nel presente manuale o della legislazione indicata, non esime dal rispetto di altre norme specifiche relative a installazione, luogo, Paese o altre circostanze che riguardino l'inverter.

L'insieme delle indicazioni sulla sicurezza riportate nel presente documento deve essere ritenuto una misura minima di sicurezza. È sempre preferibile disinserire l'alimentazione generale. Possono essere presenti difetti di installazione che producono ritorni di tensione indesiderati. Esiste il pericolo di scosse elettriche.

Secondo le norme fondamentali di sicurezza, tutte le attrezzature devono essere adeguate a proteggere i lavoratori esposti dal rischio di contatto diretto e indiretto. In qualsiasi caso le parti elettriche delle attrezzature di lavoro devono essere conformi a quanto disposto dalla normativa specifica corrispondente.

Secondo la normativa generale sulla sicurezza, l'impianto elettrico non deve comportare rischi di incendio o esplosione. I lavoratori dovranno essere adeguatamente protetti dal rischio di incidenti causati da contatti diretti o indiretti. L'impianto elettrico e i dispositivi di protezione dovranno tenere in considerazione la tensione, i fattori esterni condizionanti e la competenza delle persone che hanno accesso alle parti dell'impianto.

Per verificare l'assenza di tensione è obbligatorio l'impiego di strumenti di misura di categoria III e tensione superiore alla tensione massima dell'impianto fotovoltaico.

##### INFORMAZIONI

Queste istruzioni devono essere ben accessibili accanto al dispositivo e poste alla portata degli utenti.

Prima dell'installazione e della messa in servizio, leggere attentamente queste istruzioni di sicurezza e gli avvisi, nonché tutti i simboli di avvertenza apposti sul dispositivo. Assicurarsi che tutti i simboli di avvertenza rimangano perfettamente leggibili e che quelli danneggiati o mancanti vengano sostituiti.

**i INFORMAZIONI**

La protezione contro il contatto diretto è assicurata dall'involucro.

Il dispositivo è stato testato in base alla normativa applicabile per soddisfare i requisiti di sicurezza, i valori delle distanze di isolamento e le vie di fuga per le tensioni di utilizzo.

**Possibili pericoli per le persone**

**⚠ PERICOLO**

Scossa elettrica.

Il dispositivo può restare carico dopo aver disinserito l'impianto fotovoltaico, l'alimentazione di rete e le alimentazioni ausiliarie.

Seguire attentamente la procedura obbligatoria per disinserire la tensione, riportata in questo manuale.

Esplosione.

Il rischio di esplosione è molto improbabile e in casi molto specifici di funzionamento anomalo.

La carcassa protegge persone e oggetti da un'eventuale esplosione solo se chiusa in modo corretto.

Schiacciamento e lesioni delle articolazioni.

Seguire sempre le indicazioni fornite dal manuale per movimentare e collocare il dispositivo.

Il peso del dispositivo può provocare lesioni, ferite gravi o morte se non viene maneggiato in modo corretto.

Alta temperatura.

La portata di aria di uscita può raggiungere temperature elevate che possono provocare lesioni alle persone esposte.

**Possibili pericoli per il dispositivo**

**⚠ PERICOLO**

Raffreddamento.

Durante il funzionamento, il dispositivo richiede un flusso d'aria privo di particelle estranee.

È indispensabile mantenere la posizione verticale e le entrate sgombre da qualsiasi ostacolo, per consentire che il flusso d'aria penetri all'interno del dispositivo.

Non toccare le schede né i componenti elettronici. I componenti più sensibili potrebbero risultare danneggiati o distrutti dall'elettricità statica.

Non disinserire né connette alcun terminale mentre il dispositivo è in funzione. Disinserire e verificare l'assenza di tensione prima di eseguire qualsiasi operazione.

Per evitare che le giunzioni bullonate dei pannelli dell'involucro del dispositivo si usurino prematuramente è necessario rimuovere e montare le viti manualmente.

## Dispositivi di protezione individuale (DPI)

Quando si lavora sul dispositivo, utilizzare almeno le seguenti dotazioni di sicurezza consigliate da Ingeteam.

Denominazione	Spiegazione
Calzature di sicurezza	In conformità alla norma <i>UNE-EN-ISO 20345:2012</i>
Elmetto con visiera	In conformità alla norma <i>UNE-EN 397:1995</i> , qualora vi siano elementi in tensione direttamente accessibili
Indumenti da lavoro	Aderenti, non infiammabili, 100% cotone
Guanti dielettrici	In conformità alla norma <i>EN 60903:2005</i>

Le attrezzature e/o i dispositivi utilizzati in attività in tensione devono disporre almeno di isolamento di categoria III e tensione superiore alla tensione massima dell'impianto fotovoltaico.

Nel caso in cui le normative del luogo di installazione esigano un altro tipo di dispositivo di protezione individuale, è necessario integrare in modo adeguato il dispositivo consigliato da Ingeteam.



# Contenuti

Importanti condizioni di sicurezza .....	142
Condizioni di sicurezza.....	142
Dispositivi di protezione individuale (DPI) .....	144
Contenuti .....	145
1. Informazioni su questo manuale .....	147
1.1. Destinatari .....	147
1.2. Simbologia.....	147
2. Descrizione del dispositivo .....	148
2.1. Visione generale.....	148
2.2. Comunicazioni di serie .....	149
2.3. Sicurezza elettrica .....	149
2.3.1. Categoria di sovratensione (OVC).....	149
2.4. Grado di inquinamento.....	149
2.5. Inquinamento acustico.....	149
2.6. Schema elettrico del sistema .....	150
2.7. Caratteristiche .....	151
2.8. Descrizione degli accessi dei cavi .....	152
3. Ricevimento del dispositivo e stoccaggio .....	153
3.1. Ricevimento.....	153
3.2. Identificazione del dispositivo .....	153
3.3. Danni durante il trasporto .....	153
3.4. Stoccaggio .....	153
3.5. Conservazione.....	153
4. Movimentazione del dispositivo .....	154
4.1. Trasporto.....	154
5. Preparazione per l'installazione del dispositivo.....	155
5.1. Ambiente.....	155
5.2. Condizioni ambientali.....	156
5.3. Superficie di appoggio e fissaggio .....	157
5.4. Protezione del collegamento alla rete elettrica .....	157
5.5. Tipo di rete.....	157
5.6. Lunghezza del cablaggio.....	157
5.7. Pannelli fotovoltaici .....	157
5.8. Sistema di disconnessione esterno .....	157
6. Installazione del dispositivo .....	158
6.1. Requisiti generali di installazione .....	158
6.2. Fissaggio del dispositivo a parete.....	158
6.3. Apertura e chiusura dell'involucro.....	161
7. Collegamento della protezione di terra esterna .....	162
7.1. Precauzioni di sicurezza per il collegamento della protezione di terra esterna.....	162
7.2. Requisiti di cablaggio per la connessione della protezione di terra esterna.....	162
7.3. Processo di collegamento della protezione di terra esterna .....	163
8. Interfaccia di comunicazione.....	164
8.1. Indicazioni di sicurezza per il collegamento dei cavi di comunicazione.....	164
8.2. Collegamento della comunicazione via Ethernet .....	164
8.2.1. Requisiti del cablaggio.....	164
8.2.2. Procedura di connessione.....	164
8.3. Collegamento tramite Wi-Fi.....	166
8.4. Connessione della comunicazione della porta COM4 .....	166
8.4.1. Requisiti del cablaggio.....	167
8.4.2. Procedura di connessione.....	167
9. Collegamento AC.....	171
9.1. Indicazioni di sicurezza per il collegamento AC.....	171
9.2. Requisiti del cablaggio per il collegamento dei cavi AC.....	171

9.3. Requisiti dei terminali per la connessione AC .....	172
9.4. Procedura di collegamento AC.....	172
10. Collegamento DC .....	174
10.1. Indicazioni di sicurezza per il collegamento DC.....	174
10.2. Requisiti del cablaggio per il collegamento dei cavi DC.....	174
10.3. Procedura di collegamento DC .....	174
11. Primo collegamento alla rete elettrica .....	178
11.1. Revisione del dispositivo.....	178
11.1.1. Ispezione .....	178
11.1.2. Chiusura ermetica del dispositivo .....	178
11.2. Collegamento e configurazione iniziale .....	178
11.3. Connessione alla rete elettrica.....	179
12. Utilizzo del dispositivo.....	180
12.1. Gestione dell'inverter mediante l'applicazione web .....	180
12.2. Connessione locale all'inverter mediante la rete Wi-Fi.....	180
12.3. Connessione dell'inverter a una rete Wi-Fi .....	180
12.4. Connessione all'inverter da remoto .....	181
12.5. Modifica della configurazione IP della rete Wi-Fi .....	181
12.6. Modifica della configurazione IP della rete Ethernet .....	182
12.7. Registrare l'inverter in INGECON SUN Monitor .....	182
12.8. Aggiornamento del firmware dell'inverter .....	182
13. Stati e allarmi dell'inverter.....	183
13.1. Stati dell'inverter (illuminazione sul coperchio anteriore) .....	183
13.2. Stati di comunicazione dell'inverter (illuminazione sul dongle di comunicazione) .....	183
13.3. Allarmi.....	183
14. Disconnessione del dispositivo .....	184
15. Manutenzione .....	185
15.1. Condizioni di sicurezza .....	185
15.2. Stato dell'involucro .....	185
15.3. Stato dei cavi e dei terminali .....	185
16. Smaltimento dei rifiuti.....	186

# 1. Informazioni su questo manuale

Lo scopo del presente manuale è quello di descrivere gli inverter INGECON SUN 110TL M9 e fornire informazioni adeguate per la corretta ricezione, installazione, messa in funzione, manutenzione e funzionamento.

## 1.1. Destinatari

Il presente documento è rivolto a personale qualificato.

Quando nel presente manuale si parla di personale qualificato, si intende personale che risponde a tutte le norme, le direttive e le leggi in materia di sicurezza, applicabili agli interventi di installazione e funzionamento di questo dispositivo.

La selezione del personale qualificato è sempre responsabilità della società della quale tale personale fa parte, in quanto la società in questione decide se un lavoratore è adatto o meno a svolgere un determinato lavoro, tutelandone così la sicurezza e rispettando la legge applicabile in materia di sicurezza sul lavoro.

Tali società devono impartire una formazione adeguata sui dispositivi elettrici al proprio personale e fare in modo che il personale prenda dimestichezza con il contenuto di questo manuale.

## 1.2. Simbologia

Nel manuale sono presenti avvisi per segnalare informazioni di particolare rilievo. A seconda della natura del testo sono possibili tre tipi di avvisi:



Indica pericoli per l'incolumità della persona o per l'inverter.



Indicazione importante.



Informazioni aggiuntive o riferimenti ad altre parti del documento o ad altri documenti.

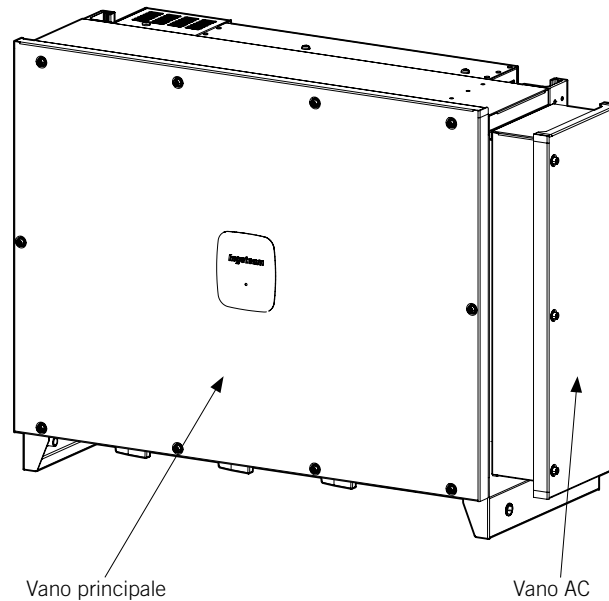
## 2. Descrizione del dispositivo

### 2.1. Visione generale

La funzione base di questo inverter è trasformare la corrente continua generata da un massimo di nove impianti fotovoltaici in corrente alternata da immettere nella rete elettrica.

Allo stesso modo, la sua funzione è quella di ricercare i punti di potenza massima di detti impianti fotovoltaici e soddisfare i requisiti richiesti dalle diverse normative sulla rete elettrica.

Questi inverter si compongono di due diverse parti: il vano principale e il vano AC.



#### **ATTENZIONE**

Tutte le operazioni per il corretto uso e manutenzione dell'inverter si realizzano nel vano AC.

L'abitacolo principale non deve essere mai aperto. In caso di apertura non sarà possibile usufruire della garanzia.

Non dispongono di trasformatore per il collegamento alla rete elettrica degli impianti fotovoltaici isolati.

Di seguito sono riportate alcune delle caratteristiche principali di questi inverter:

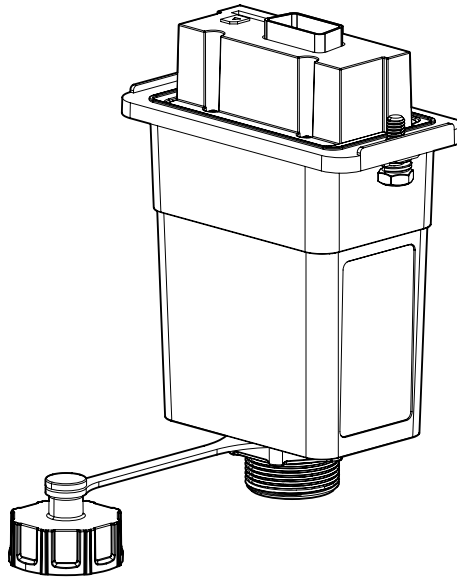
- Misurazione delle correnti di ingresso di MPPT.
- Sezionatore DC.
- Scaricatori di sovratensione DC e AC di tipo 2.

Sono presenti i seguenti rilevatori del punto di potenza massima all'ingresso DC. Il collegamento avviene tramite connettori rapidi.

Ingresso DC	IS 110TL M9
N. di rilevatori del punto di potenza massima	9
N. di coppie di connettori rapidi	18

## 2.2. Comunicazioni di serie

Questi inverter dispongono di un dongle per la comunicazione via Ethernet o Wi-Fi. Questo va collegato all'inverter tramite la porta *COM1*.



## 2.3. Sicurezza elettrica

Vengono indicate di seguito le grandezze progettuali interessanti per la sicurezza elettrica.

### 2.3.1. Categoria di sovratensione (OVC)

Questi dispositivi soddisfano le norme *IEC 62109-1* e *IEC 62109-2*.

Il circuito AC è stato progettato con una categoria di sovratensione II (OVC II). Il circuito DC è stato progettato con una categoria di sovratensione I (OVC I).

## 2.4. Grado di inquinamento

I dispositivi soddisfano il grado di inquinamento 3 richiesto da questo tipo di inverter.

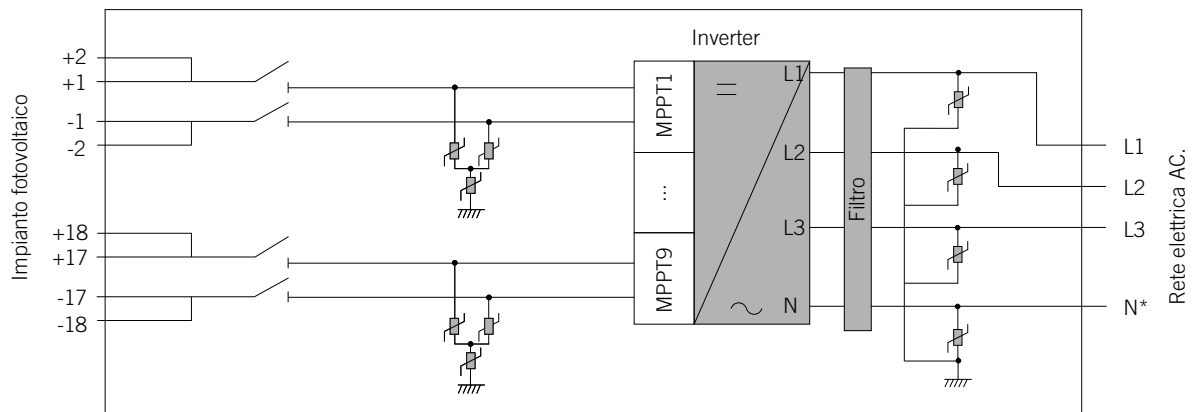
## 2.5. Inquinamento acustico

Il funzionamento di questo dispositivo genera un ronzio. Non collocarla in un locale abitato o su supporti leggeri che possano amplificare tale ronzio. La superficie di montaggio deve essere solida, in grado di sopportare il peso del dispositivo.

## 2.6. Schema elettrico del sistema

### **i** INFORMAZIONI

Questi dispositivi dispongono di terminale di neutro solo per le operazioni di misurazione, dato che è possibile lavorare senza cavo di neutro, rimanere collegati alla rete ed erogare la potenza dell'impianto fotovoltaico. Tuttavia esistono specifiche norme per il monitoraggio della tensione di fase sulla rete, sia durante il funzionamento normale che in fase transitoria. In tal caso, la mancanza del cavo del neutro può comportare la violazione dei requisiti richiesti da tali normative.



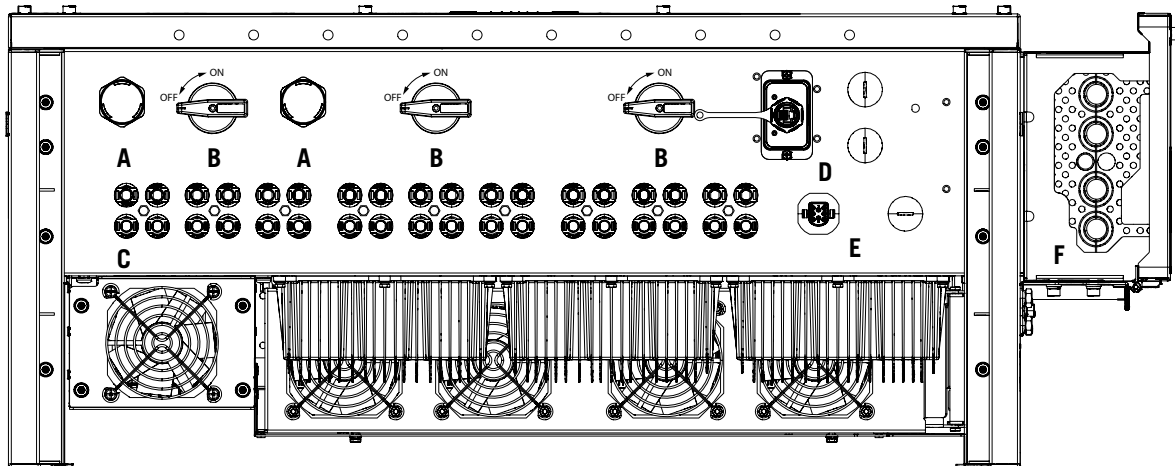
\* opzionale

## 2.7. Caratteristiche

110TL M9	
<b>Ingresso DC</b>	
Intervallo di potenza consigliato dell'impianto fotovoltaico	113,3 ~ 165 kWp
Intervallo di tensione MPPT	200 ~ 1000 V
Tensione massima	1100 V
Tensione di ingresso massima	600 V
Tensione di avvio / Tensione operativa minima	250 V / 200 V
Corrente massima di cortocircuito	3*50 A + 6*45 A
Corrente massima	3*40 A + 6*32 A
Ingressi con connettori fotovoltaici	18 (9*2)
Numero MPPT	9
<b>Uscita AC</b>	
Potenza nominale	110 kW
Potenza massima apparente <sup>(1)</sup>	123 kVA
Potenza attiva massima (PF=1) <sup>(1)</sup>	121 kW
Corrente di uscita massima	187 A
Tensione nominale	400 V
Range di tensione <sup>(2)</sup>	322 V ~ 520 V (regolabile)
Frequenza	50 / 60 Hz
Tipo di rete	TT, TN, IT
Fattore di potenza regolabile	Si. 0 ~ 1 (avanti/indietro)
<b>Efficienza</b>	
Efficienza massima	98,2%
Efficienza europea	97,8%
<b>Informazioni generali</b>	
Sistema di raffreddamento	Ventilazione forzata
Consumo notturno	<10W
Temperatura di esercizio	-25~60 °C
Umidità relativa (senza condensa)	0 ~ 100%
Grado di protezione	IP66
Marchio	CE
Emissioni acustiche	< 65 dB
Altezza massima dell'installazione	4000 m
Peso	92 kg
Dimensioni (altezza x larghezza x profondità)	678 x 936 x 365 mm
Norme in materia di compatibilità elettromagnetica e sicurezza	EN 61000-6-2, EN 61000-6-4, EN 62109-1, EN 62109-2
Normativa di collegamento alla rete	IEC 61727:2004, IEC 62116:2014, EN 50549-1:2019, EN 50549-2:2019, UNE 217002:2020, UNE 217001:2020, NTS SEPE 2.1 type B, CEI 0-21 v1 Novembre 2022 (including Allegato B), CEI 0-16 v1 Novembre 2022 (including Allegato N), VDE-AR-N 4105:2018

<sup>(1)</sup> In Spagna, secondo la normativa spagnola, la potenza attiva massima corrisponderà alla potenza nominale. <sup>(2)</sup> L'intervallo di tensione e frequenza in uscita può variare a seconda dei diversi codici di rete.

## 2.8. Descrizione degli accessi dei cavi



- |                         |  |
|-------------------------|--|
| A. Valvole anticondensa | D. COM1 per dongle di comunicazione (Ethernet/Wi-Fi) |
| B. Sezionatori DC       | E. COM4  |
| C. Connettori rapidi DC | F. Cablaggio AC                                      |



## 3. Ricevimento del dispositivo e stoccaggio

### 3.1. Ricevimento

Conservare il dispositivo imballato fino all'installazione.

### 3.2. Identificazione del dispositivo

Il numero di serie del dispositivo lo identifica in modo inequivocabile. In qualsiasi comunicazione con Ingeteam si deve fare riferimento a questo numero.

Il numero di serie del dispositivo è indicato anche sulla targhetta che riporta le caratteristiche del dispositivo stesso.

### 3.3. Danni durante il trasporto

Se il dispositivo ha subito danni durante il trasporto:

1. Non procedere all'installazione.
2. Notificare immediatamente il fatto al proprio rivenditore entro cinque giorni dal ricevimento del dispositivo.

Se fosse necessario restituire il dispositivo al costruttore, si dovrà usare l'imballaggio originale.

### 3.4. Stoccaggio

#### **ATTENZIONE**

L'inosservanza delle istruzioni fornite in questa sezione può provocare danni al dispositivo.

Ingeteam declina qualsiasi responsabilità per danni derivanti dall'inosservanza delle presenti istruzioni.

Se il dispositivo non viene installato immediatamente dopo il ricevimento, per evitarne il deterioramento occorre procedere come indicato di seguito:

- Il dispositivo deve essere stoccato nel suo imballo originale e in posizione verticale; non è consentito impilare.
- Mantenere pulito il dispositivo (eliminare polvere, trucioli, grasso, ecc.) ed evitare la presenza di roditori.
- Proteggerlo da schizzi d'acqua, scintille di saldatura, ecc.
- Coprire il dispositivo con un materiale protettivo traspirante per evitare la condensa provocata dall'umidità ambientale.
- I dispositivi stoccati non devono essere sottoposti a condizioni climatiche diverse rispetto a quelle indicate nella sezione ["2.7. Caratteristiche"](#).
- È molto importante proteggere l'impianto da prodotti chimici corrosivi e dagli ambienti salini.
- Non stoccare il dispositivo sottoponendolo a intemperie.

### 3.5. Conservazione

Per la conservazione corretta dei dispositivi, rimuovere l'imballaggio originale soltanto al momento dell'installazione.

In caso di stoccaggio prolungato si consiglia di riporre i dispositivi in un luogo asciutto evitando, per quanto possibile, bruschi sbalzi di temperatura.

Il deterioramento dell'imballaggio (tagli, fori, ecc.) impedisce una corretta conservazione dei dispositivi prima dell'installazione. Ingeteam declina ogni responsabilità in caso di mancato rispetto di questa condizione.

## 4. Movimentazione del dispositivo

Il dispositivo deve essere trasportato in posizione verticale, protetto da urti meccanici, vibrazioni, schizzi d'acqua (pioggia) e da qualsiasi altro prodotto o situazione in grado di danneggiarlo o alterarne il comportamento. Il mancato rispetto di queste istruzioni può provocare la decadenza della garanzia del prodotto, senza che ciò comporti alcuna responsabilità da parte di Ingeteam.

### 4.1. Trasporto

#### **Movimentazione con transpallet o carrello elevatore**

Devono essere rispettate almeno le seguenti indicazioni:

1. Depositare i dispositivi imballati in posizione centrale rispetto alle forche.
2. Sistemarli il più vicino possibile all'attacco delle forche al montante.
3. Controllare che le forche siano perfettamente allineate, per evitare possibili ribaltamenti del dispositivo.
4. In ogni caso, rispettare le istruzioni del manuale d'uso del transpallet o del carrello elevatore.

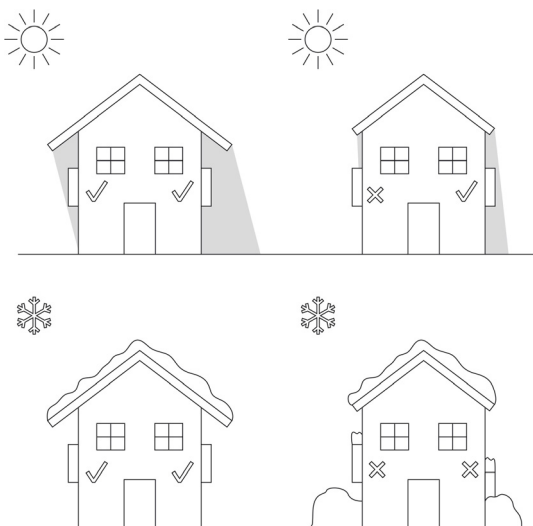
Disimballare il dispositivo solo al momento dell'installazione, dopo averlo sistemato nella posizione di destinazione.

## 5. Preparazione per l'installazione del dispositivo

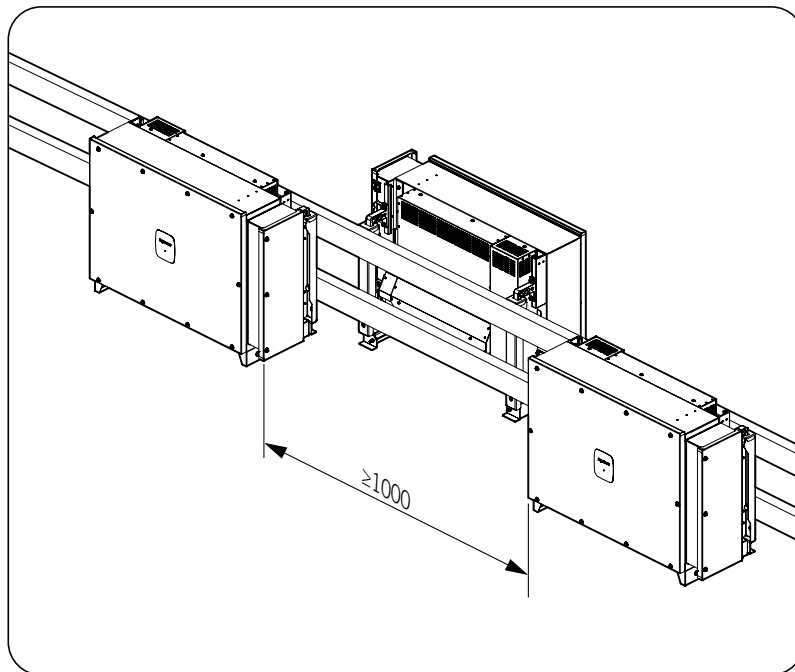
Per decidere l'ubicazione del dispositivo e programmare l'installazione bisogna seguire una serie di indicazioni dovute alle caratteristiche del dispositivo stesso. In questo capitolo sono riassunte queste regole.

### 5.1. Ambiente

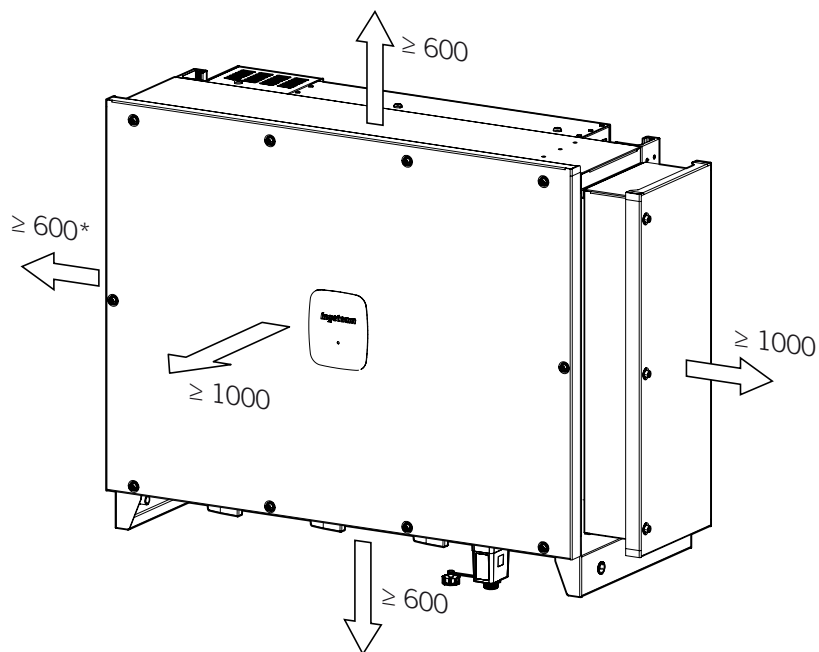
- Questi dispositivi possono essere installati in interni ed esterni.
- Collocare i dispositivi in un luogo accessibile per gli interventi di installazione e manutenzione e in cui sia possibile accedere con facilità al pannello di controllo.
- Evitare ambienti corrosivi che possono influenzare il corretto funzionamento dell'inverter.
- Non lasciare oggetti sul dispositivo o nelle parti laterali dello stesso, possono ostacolare la ventilazione e provocare il surriscaldamento.
- Gli inverter non devono essere esposti alla radiazione solare diretta.
- Non installare in locali abitati per via della rumorosità che caratterizza il suo funzionamento.
- In caso di installazione in ambienti chiusi (stanze, cabine, ecc) garantire che siano adeguatamente ventilati. Il funzionamento dei dispositivi dipende dalla loro temperatura ambiente, una ventilazione inadeguata può ridurre le capacità.



- In caso di installazione di più inverter, assicurarsi che l'estrazione di aria calda da alcuni non interferisca con la corretta ventilazione degli altri. È necessario lasciare una separazione laterale tra di essi di almeno 1000 mm.



- Le distanze minime indicate qui di seguito devono essere mantenute libere da ostacoli.



\* Se si posizionano più inverter uno accanto all'altro, la distanza minima tra loro sarà di 1000 mm.

## 5.2. Condizioni ambientali

Per scegliere l'ubicazione più adatta, occorre tenere in considerazione le condizioni ambientali di funzionamento del dispositivo indicate nel paragrafo "2.7. Caratteristiche".

È opportuno ricordare che, occasionalmente, si potrebbe produrre una condensa moderata come conseguenza degli sbalzi di temperatura. Oltre alla protezione del dispositivo è importante che i dispositivi siano monitorati quando utilizzati in luoghi in cui è probabile che non si verifichino le condizioni descritte sopra.

Non applicare mai tensione al dispositivo in presenza di condensa.

### 5.3. Superficie di appoggio e fissaggio

Questi inverter devono essere installati verticalmente.

Destinare una parete o struttura solida per ancorare l'attrezzatura; deve essere possibile forare e incorporare elementi di fissaggio idonei a sostenere il peso dell'attrezzatura.

### 5.4. Protezione del collegamento alla rete elettrica

È necessario installare elementi di protezione sul collegamento dell'inverter alla rete elettrica.

#### Interruttore magnetotermico

È necessario installare un interruttore magnetotermico e/o un fusibile sul collegamento dell'inverter alla rete elettrica.

Nella tabella successiva sono riportati i dati necessari all'installatore per la scelta di questo dispositivo.

Corrente massima dell'inverter	Corrente nominale dell'interruttore magnetotermico
187 A	250 A

Al momento della scelta della protezione in un impianto si deve tenere in considerazione che il potere di taglio dell'impianto deve essere superiore alla corrente di cortocircuito del punto di collegamento alla rete.

Inoltre occorre ricordare che la temperatura dell'ambiente di lavoro influisce sulla corrente massima ammessa dalle protezioni, secondo le indicazioni del fabbricante.

#### Interruttore differenziale

Se le normative vigenti nel Paese richiedono una protezione differenziale tra inverter e rete elettrica, questa deve essere maggiore di 1230 mA.

### 5.5. Tipo di rete

Questi dispositivi possono essere collegati a reti trifase di tipo IT, TT e TN.

### 5.6. Lunghezza del cablaggio

L'inverter misura la tensione nei morsetti di collegamento, per questo motivo l'installatore deve utilizzare un cavo AC con una impedenza sufficientemente bassa affinché l'aumento di tensione nel cavo (tra il trasformatore di distribuzione e il dispositivo) non faccia staccare il dispositivo a causa dell'alta tensione.

### 5.7. Pannelli fotovoltaici

I pannelli fotovoltaici dell'impianto devono essere di classe A (*IEC 61730*). Questi dispositivi non permettono la messa a terra dei pannelli fotovoltaici, quindi il polo positivo e negativo dell'impianto fotovoltaico non devono essere messi a terra, altrimenti l'inverter causerà un guasto isolamento.

Tuttavia, la struttura metallica a cui sono fissati i pannelli fotovoltaici e/o il telaio metallico del pannello possono essere messi a terra.

### 5.8. Sistema di disconnessione esterno

Per eseguire interventi di ispezione sul dispositivo è necessario togliere la tensione di alimentazione DC e AC. Per farlo l'installatore dovrà installare un sistema di disconnessione esterno.

## 6. Installazione del dispositivo

Verificare che non ci sia condensa all'interno dell'imballaggio. In caso contrario, installare il dispositivo solo quando sarà completamente asciutto.

### ATTENZIONE

Tutte le operazioni di installazione devono essere eseguite rispettando la direttiva in vigore.

Tutte le operazioni che prevedono la movimentazione di pesi importanti dovranno essere eseguite utilizzando adeguate attrezzature meccaniche (gru, paranchi, ecc.).

Se l'impianto fotovoltaico si trova in Francia, su ogni inverter devono essere apposte saldamente le etichette indicate nelle norme C18-510 e C15-712-1/2/3.

### 6.1. Requisiti generali di installazione

- Il dispositivo deve essere installato in un ambiente adatto, che soddisfi le indicazioni descritte nel capitolo "5. Preparazione per l'installazione del dispositivo". Inoltre, gli elementi utilizzati nel resto dell'impianto devono essere compatibili con il dispositivo e conformi alla legislazione applicabile.
- La ventilazione e lo spazio di lavoro devono essere adeguati agli interventi di manutenzione secondo la direttiva in vigore.
- I dispositivi esterni di connessione devono essere adatti e rispettare la distanza stabilita dalla direttiva in vigore.
- La sezione dei cavi di allacciamento deve essere adeguata all'intensità di corrente massima.
- Evitare la presenza di elementi esterni vicino alle entrate e uscite d'aria, in quanto potrebbero impedire la corretta ventilazione del dispositivo. Rispettare le distanze indicate nel paragrafo "5.1. Ambiente".

### 6.2. Fissaggio del dispositivo a parete

#### ATTENZIONE

Questi inverter supportano l'installazione a parete o su staffa di montaggio. La parete o la struttura su cui viene installato deve poterne sostenere il peso.

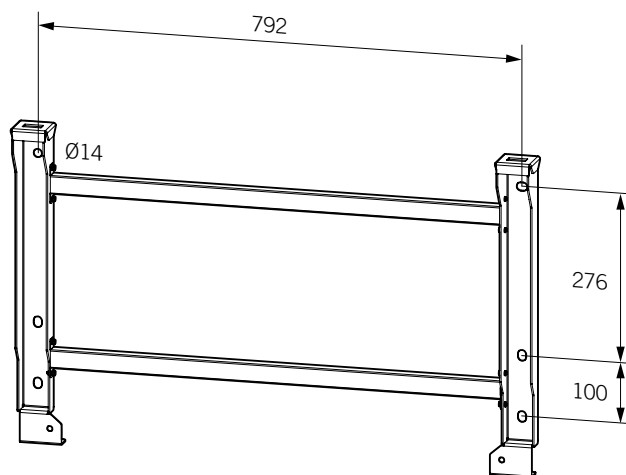
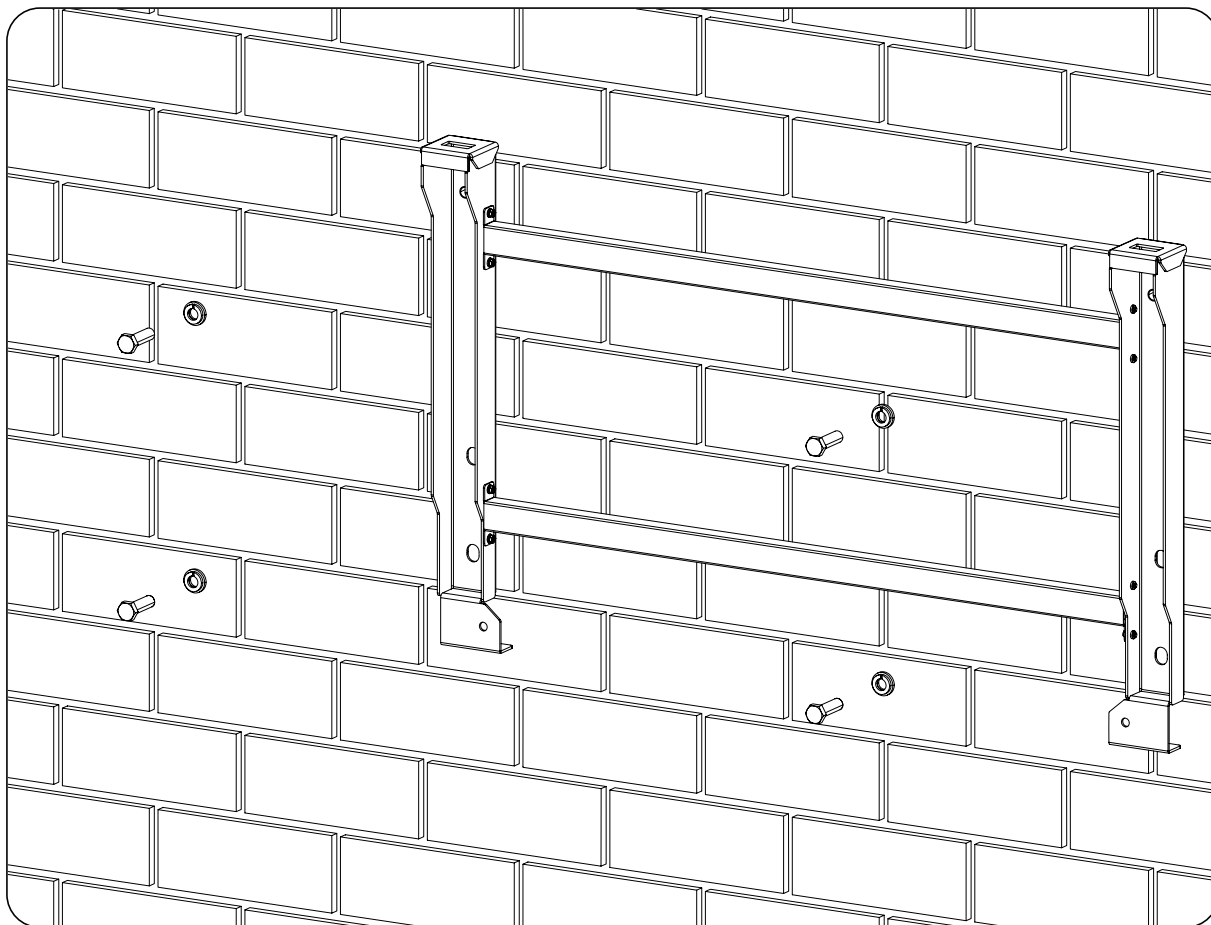
In caso di installazione a parete, la capacità di carico della parete stessa dovrà essere superiore a 10 KN/m<sup>2</sup> e verranno utilizzati tasselli a espansione in acciaio inox M12x60 mm.

Questi dispositivi sono muniti di un sistema per il fissaggio a parete mediante piastra. Di seguito vengono spiegati in dettaglio i passi da seguire per fissare il dispositivo in modo corretto. Tenere in considerazione il peso del dispositivo.

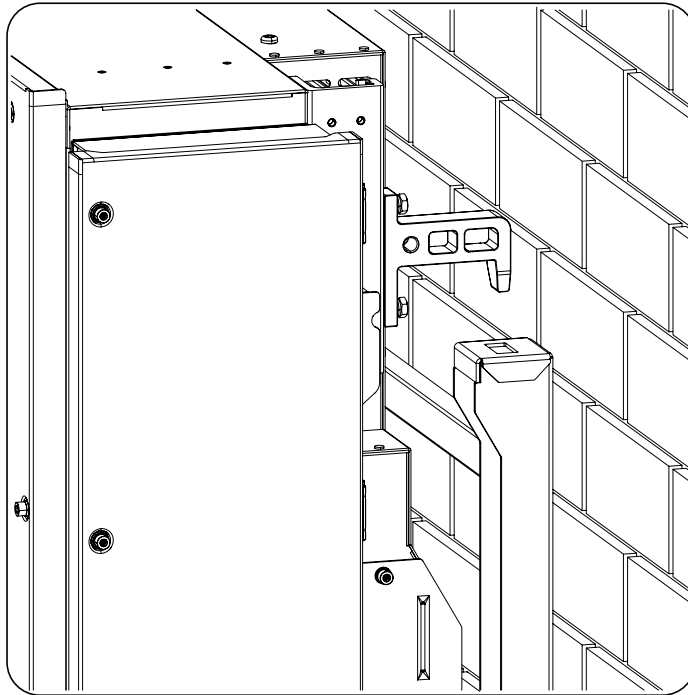
La piastra superiore di aggancio dei dispositivi ne sopporta il peso. I punti inferiori fissano l'inverter al muro evitando le vibrazioni.

1. Posizionare la piastra a parete, utilizzando una livella per garantirne l'orizzontalità, e segnare i fori.
2. Realizzare i fori con una punta adatta alla parete e agli elementi che si utilizzeranno per fissare l'inverter. I fori presenti sulla piastra e sull'inverter hanno un diametro di 14 mm.

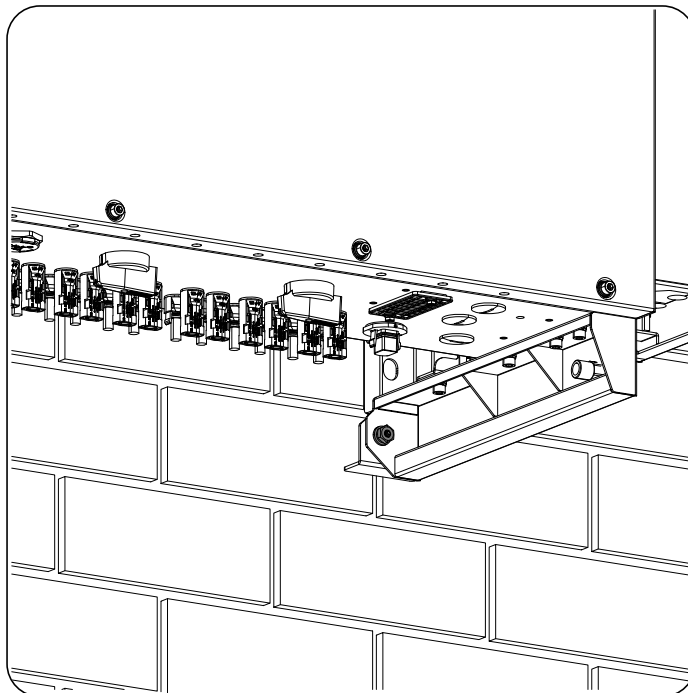
3. Fissare la piastra utilizzando elementi di fissaggio adeguati alla parete o struttura su cui è installata, tenendo conto delle misure di seguito indicate.



4. Appendere il dispositivo alla piastra.



5. Avvitare le due viti M8 inferiori applicando una coppia di 12 Nm.



6. Verificare che il dispositivo sia stato fissato in modo corretto.

Dopo aver installato correttamente il dispositivo avviare la procedura di collegamento.

Eeguire i collegamenti nel seguente ordine:

1. Collegamento della protezione di terra esterna.
2. Collegamento di comunicazione.
3. Collegamento AC.



## 4. Collegamento DC.

**⚠ ATTENZIONE**

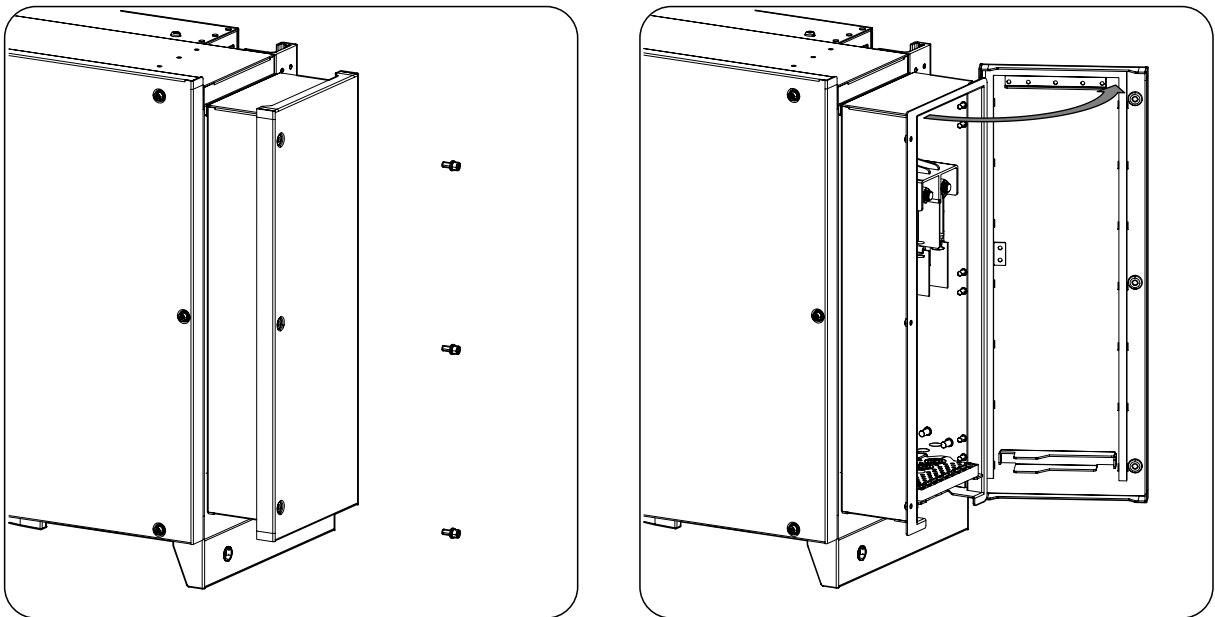
È obbligatorio seguire l'ordine descritto anteriormente. Non alimentare finché non sono stati effettuati tutti i collegamenti.

### 6.3. Apertura e chiusura dell'involucro

**⚠ ATTENZIONE**

In normali condizioni d'uso, il vano principale non deve essere aperto.

Per accedere al vano AC, rimuovere le viti M6 e aprire il coperchio come mostrato di seguito.



Dopo aver eseguito i diversi collegamenti spiegati nei paragrafi seguenti, chiudere il dispositivo prima di metterlo in funzione. Chiudere l'involucro con le viti indicate sopra e utilizzando una coppia di 4 Nm.

Prima di mettere il dispositivo in funzione, verificare che sia stato chiuso correttamente.

## 7. Collegamento della protezione di terra esterna

In questo capitolo vengono indicati i requisiti e la procedura per collegare il cablaggio di terra del dispositivo.

Leggere attentamente le presenti istruzioni prima di avviare la procedura di connessione.

### **i** INFORMAZIONI

Consultare la sezione *“Importanti condizioni di sicurezza”* e le seguenti istruzioni prima di operare sul dispositivo.

### 7.1. Precauzioni di sicurezza per il collegamento della protezione di terra esterna

#### **⚠** PERICOLO

Assicurare l'assenza di tensione nel dispositivo e che non sia stato effettuato il collegamento DC prima di iniziare il collegamento di terra.

**Non alimentare** il dispositivo finché non siano state effettuate correttamente tutte le connessioni.

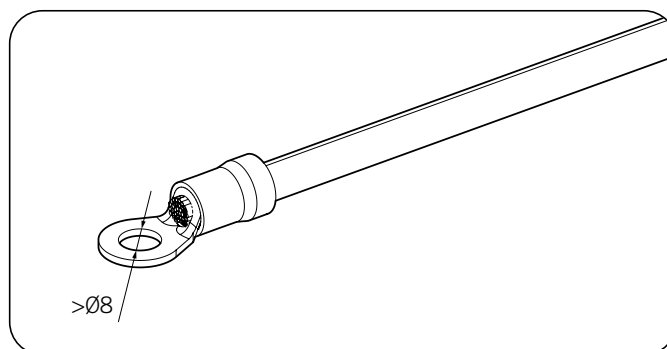
Utilizzare l'attrezzatura per la protezione individuale indicata nella sezione *“Dispositivi di protezione individuale (DPI)”*.

#### **⚠** ATTENZIONE

Ingeteam declina ogni responsabilità per i danni causati da un collegamento non corretto.

### 7.2. Requisiti di cablaggio per la connessione della protezione di terra esterna

	110TL M9
Sezione dei cavi	70 ~ 240 mm <sup>2</sup>
Materiale del cablaggio	Rame
Tipo di terminale	Rotondo o ad anello
Foro filettato nell'inverter	M8
Coppia di serraggio	7 Nm



È responsabilità dell'installatore garantire che il cablaggio di terra sia delle dimensioni adeguate e soddisfi i requisiti della normativa in vigore.

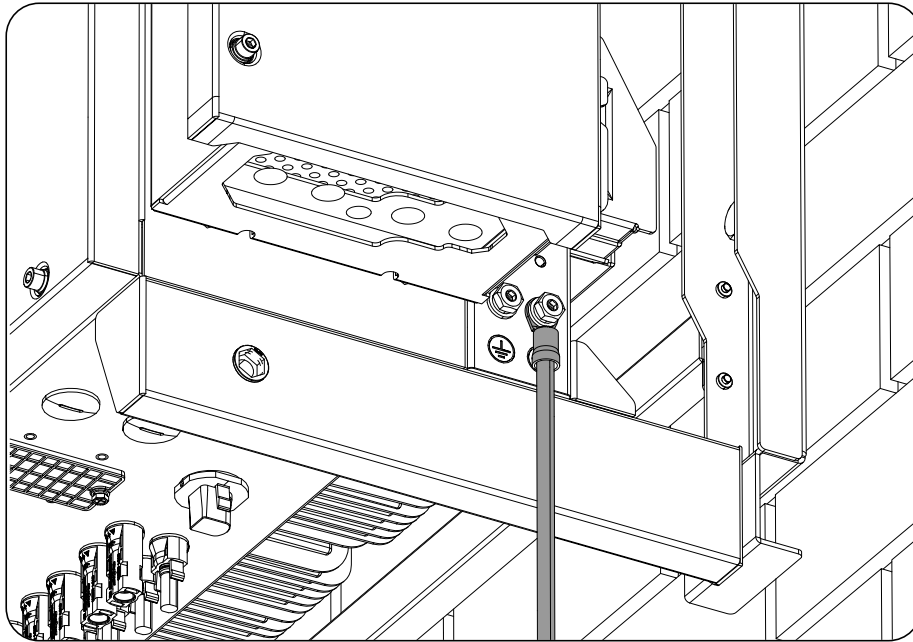
## 7.3. Processo di collegamento della protezione di terra esterna

### **⚠ ATTENZIONE**

Il collegamento della protezione di terra esterna non implica che il collegamento di PE nella parte AC non sia obbligatorio. Entrambi devono essere ben collegati e messi a terra.

Ingeteam non è responsabile delle conseguenze derivanti dall'inosservanza di questa indicazione.

Collegare il terminale utilizzando la vite e la rondella in dotazione nel foro filettato previsto a tale scopo.



## 8. Interfaccia di comunicazione

Questo capitolo spiega la procedura da seguire per collegare le comunicazioni dell'inverter.

Leggere attentamente le presenti istruzioni prima di avviare la procedura di connessione.

### 8.1. Indicazioni di sicurezza per il collegamento dei cavi di comunicazione

#### **PERICOLO**

Assicurarsi che il dispositivo si trovi in assenza di tensione prima di effettuare qualsiasi collegamento.

**Non alimentare** il dispositivo finché non siano state effettuate correttamente tutte le connessioni.

Utilizzare l'attrezzatura per la protezione individuale indicata nella sezione *"Dispositivi di protezione individuale (DPI)"*.

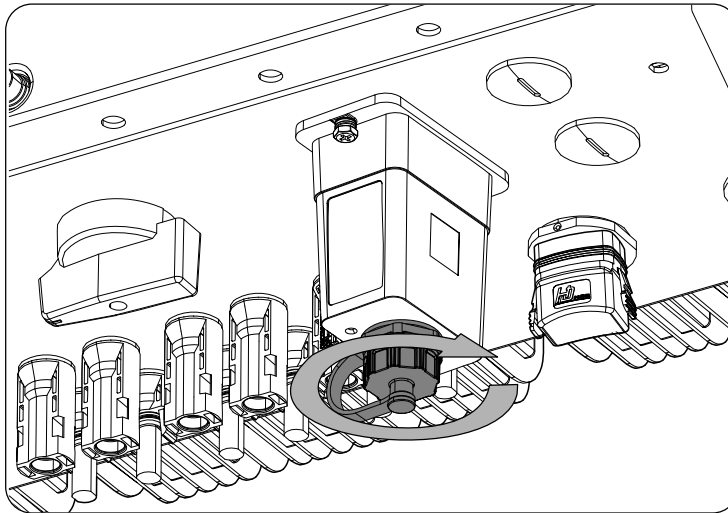
#### **ATTENZIONE**

Ingeteam declina ogni responsabilità per i danni causati da un collegamento non corretto.

Una volta collegato il dongle di comunicazione, se non si utilizza il connettore Ethernet, è necessario chiudere il coperchio filettato del connettore.

Allo stesso modo, le coperture degli altri connettori di comunicazione devono rimanere installate.

Ingeteam non è responsabile delle conseguenze derivanti dall'inosservanza di queste linee guida.



*Coperchio filettato per connettore Ethernet*

### 8.2. Collegamento della comunicazione via Ethernet

L'inverter può comunicare tramite Ethernet.

#### 8.2.1. Requisiti del cablaggio

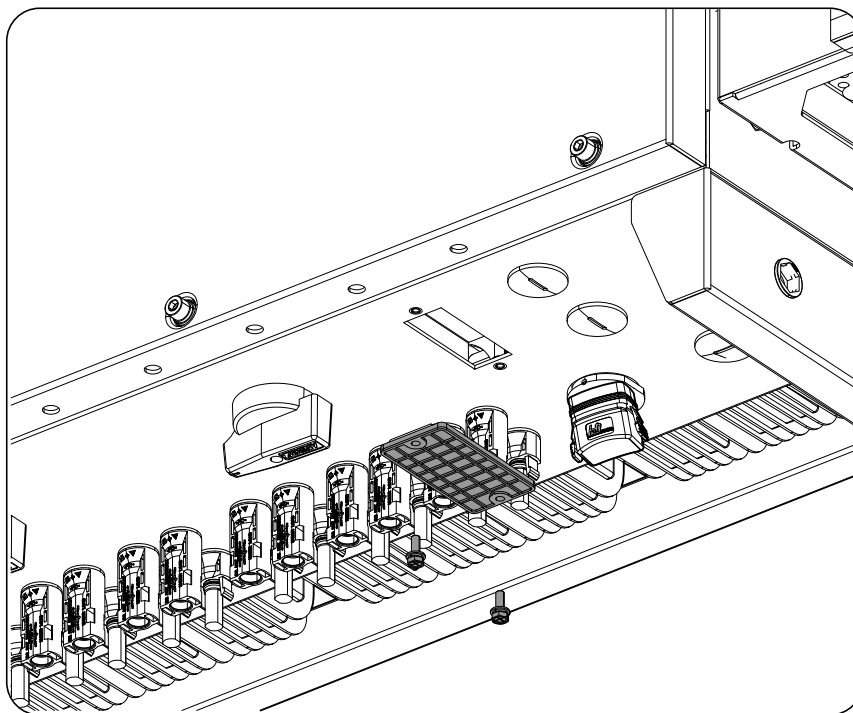
Per la comunicazione Ethernet sono necessari cavi di diametro compreso tra 4 e 6 mm.

#### 8.2.2. Procedura di connessione

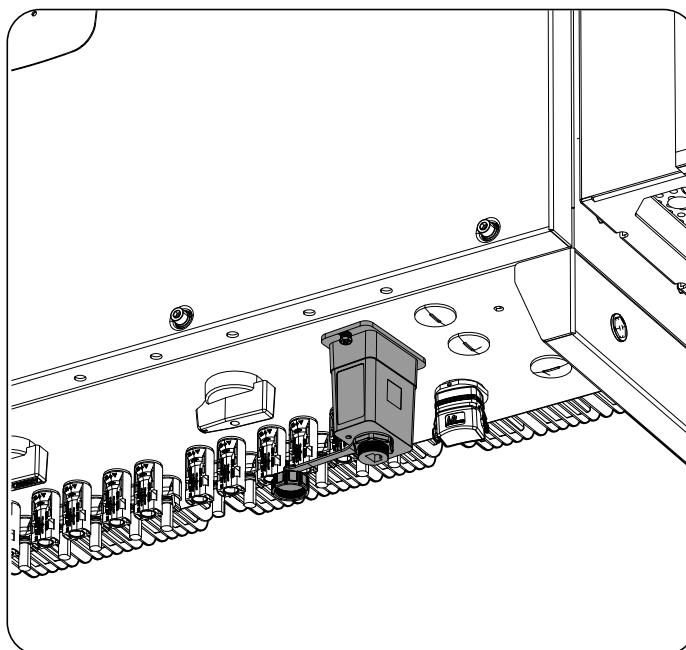
##### **INFORMAZIONI**

Il dongle di comunicazione è progettato per poter collegare il cavo Ethernet mantenendo il grado IP dell'inverter.

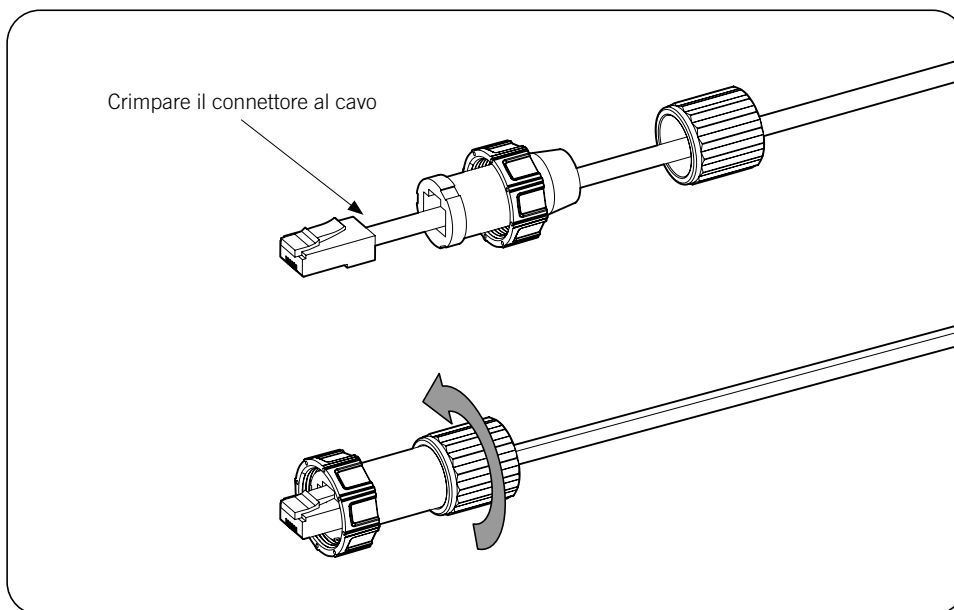
1. Rimuovere il coperchio di protezione da *COM1*.



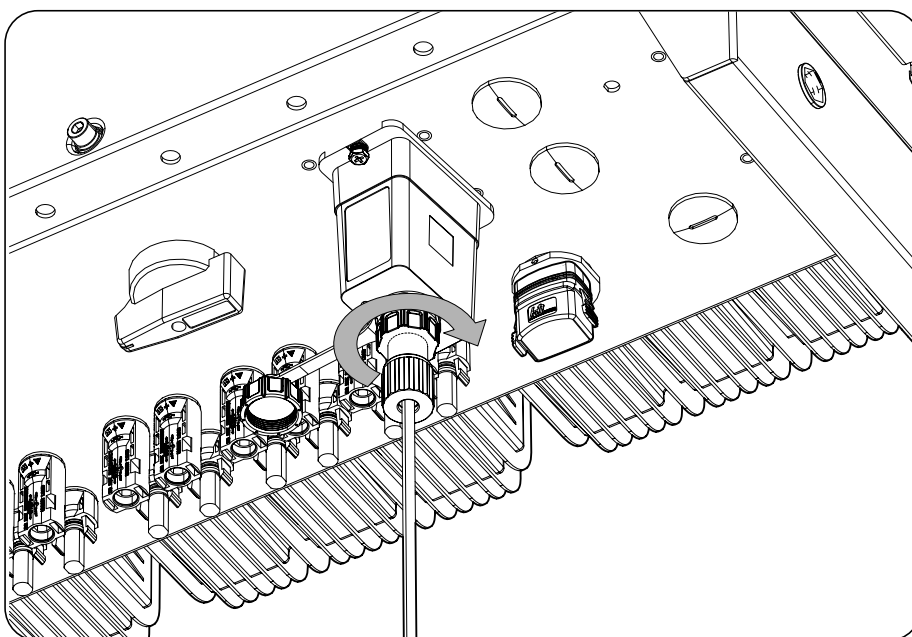
2. Collegare il dongle per le comunicazioni Ethernet/Wi-Fi fissandolo con due viti (coppia di serraggio 0,8 Nm).



3. Per garantire il grado di protezione, è necessario utilizzare il connettore fornito con l'inverter.



4. Collegare il cablaggio Ethernet.



### 8.3. Collegamento tramite Wi-Fi

**ATTENZIONE**

Se si utilizza la connessione Wi-Fi e non la connessione Ethernet, la presa di connessione Ethernet deve rimanere chiusa utilizzando l'apposito coperchio in dotazione per garantire il grado di protezione.

Consultare la sezione [“12.3. Connessione dell'inverter a una rete Wi-Fi”](#).

### 8.4. Connessione della comunicazione della porta COM4

La comunicazione tramite RS-485 è configurata di default come uscita Modbus con ID 01. Tale direzione può essere modificata.

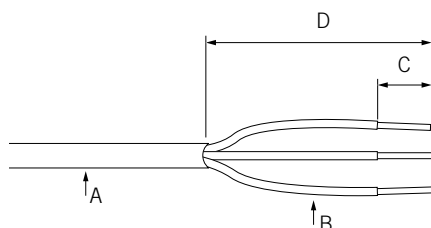
Affinché la comunicazione avvenga con un wattmetro, è necessario configurare il modello di wattmetro da collegare. Vedere il documento ACL2010IMB03 - Elenco dei misuratori di potenza approvati per Ingecon Sun 110TL M9.

**ATTENZIONE**

Nel caso in cui non si utilizzi la connessione RS-485, la scheda COM4 dovrà rimanere installata.

### 8.4.1. Requisiti del cablaggio

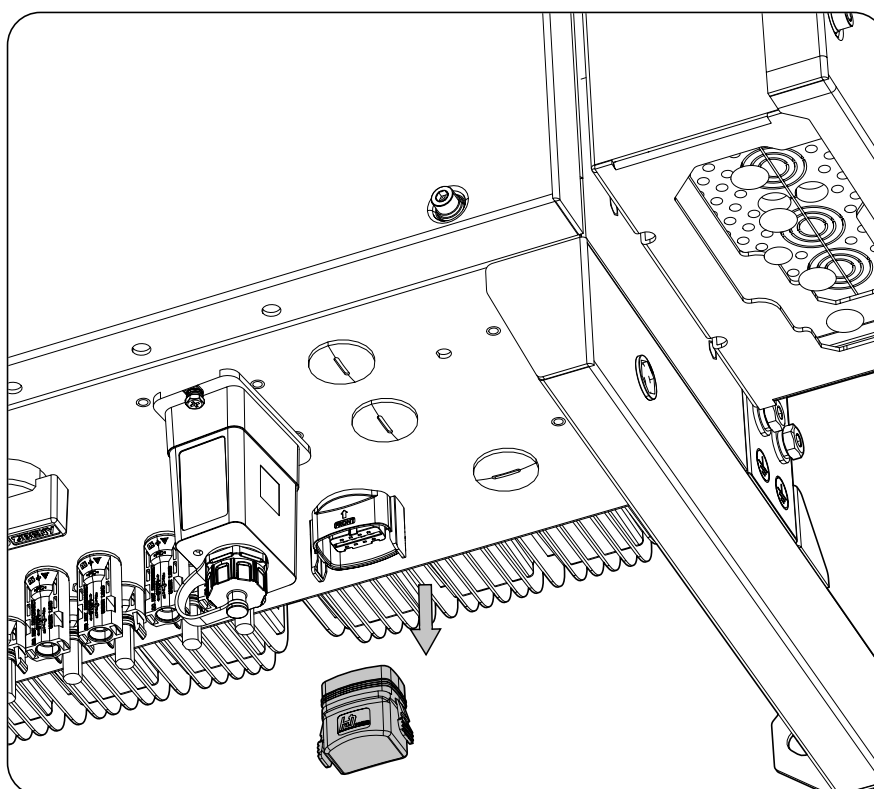
Le caratteristiche del cablaggio per il collegamento RS-485 sono specificate nella tabella seguente:



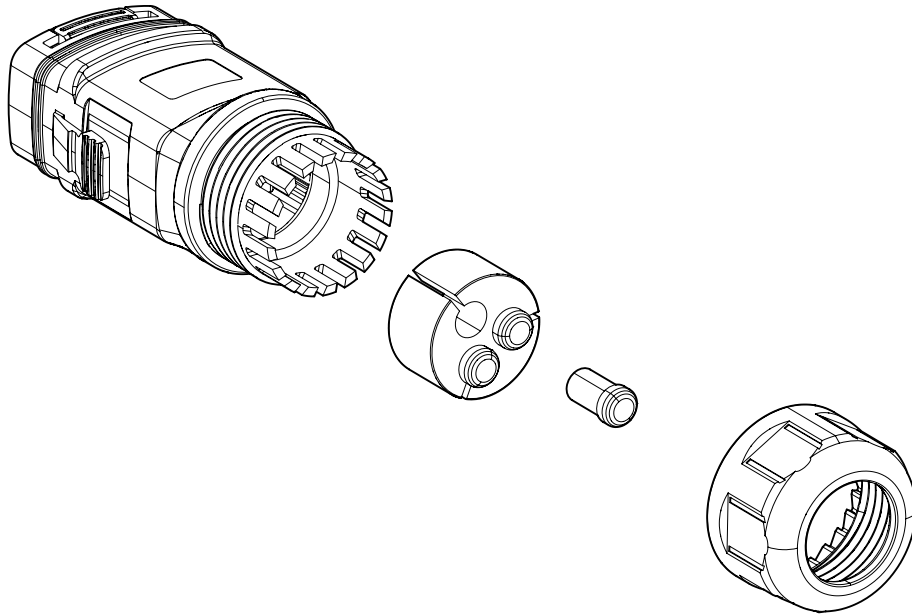
A	B	C	D
Diametro	Sezione	Lunghezza	Lunghezza
12 ~ 14 mm	0,50 mm <sup>2</sup> ~ 0,75 mm <sup>2</sup>	7 ~ 8 mm	31 ~ 35 mm

### 8.4.2. Procedura di connessione

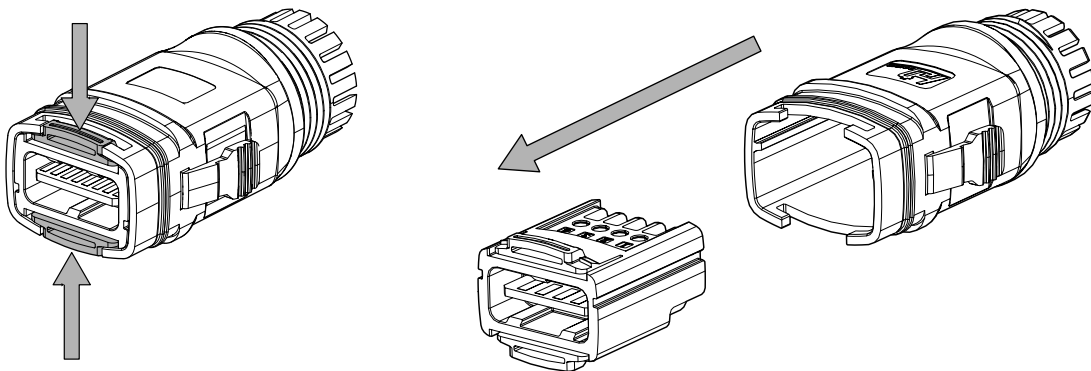
1. Rimuovere il coperchio di protezione dal connettore COM4 dell'inverter.



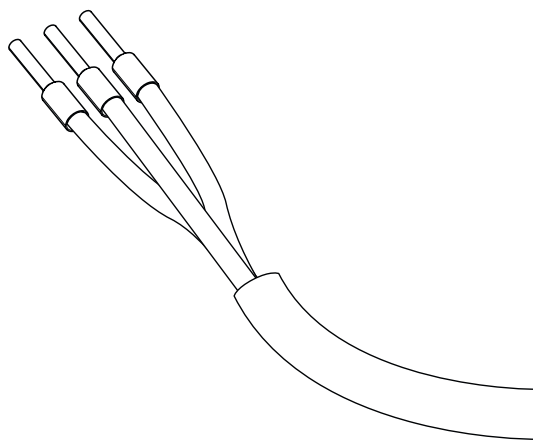
2. Allentare la filettatura posteriore del connettore dell'antenna e rimuovere uno dei tappi di gomma di serraggio.



3. Rimuovere l'involucro del connettore dell'antenna per accedere all'area di collegamento.

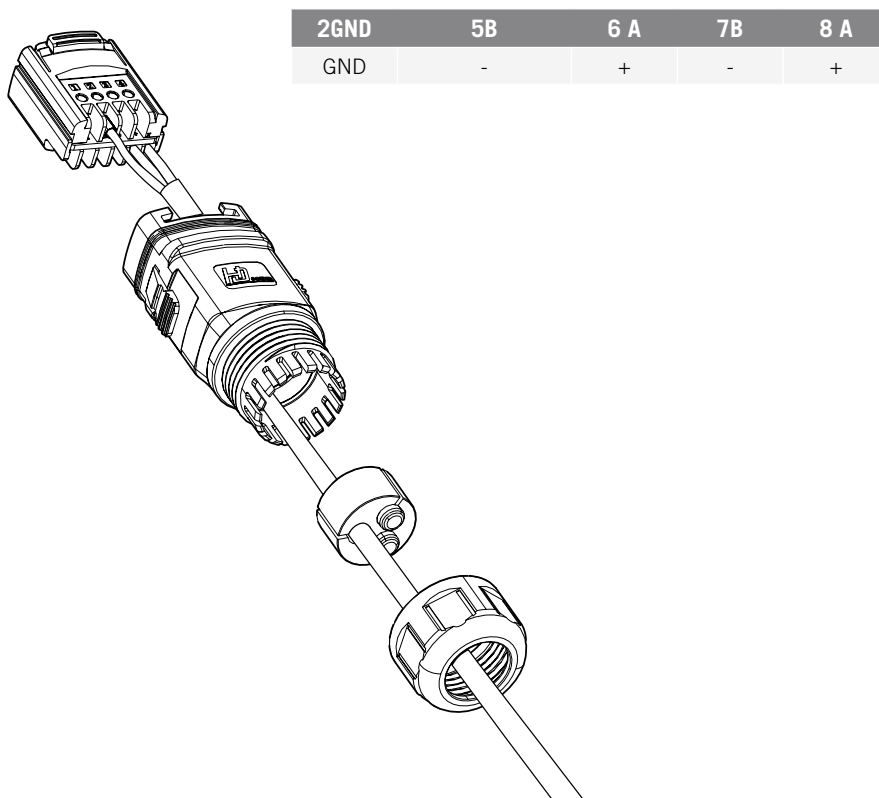


4. Crimpare i 3 cavi



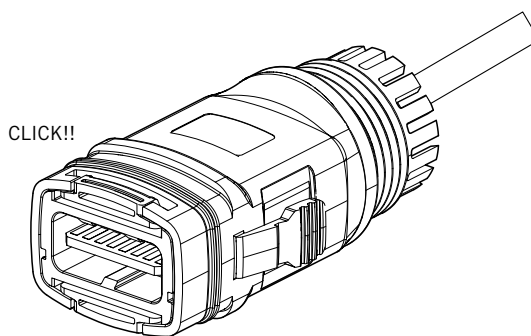
5. Collegare i pin 2, 5 e 6 nell'area di collegamento del connettore dell'antenna. Applicare una coppia di serraggio di 1,2Nm.



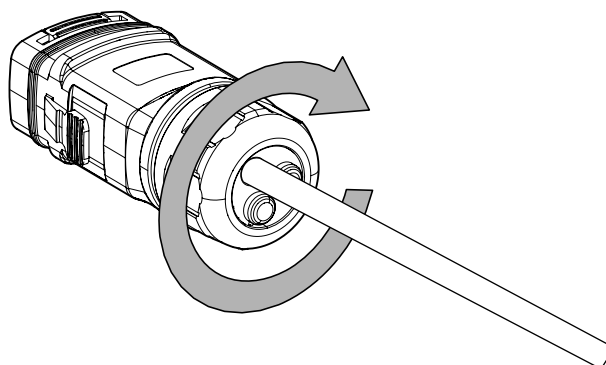


Il connettore ha i pin positivo e negativo della comunicazione RS-485 duplicati per poter proseguire con un altro nodo se necessario. In caso di comunicazione singola, utilizzare solo i pin 2, 5 e 6.

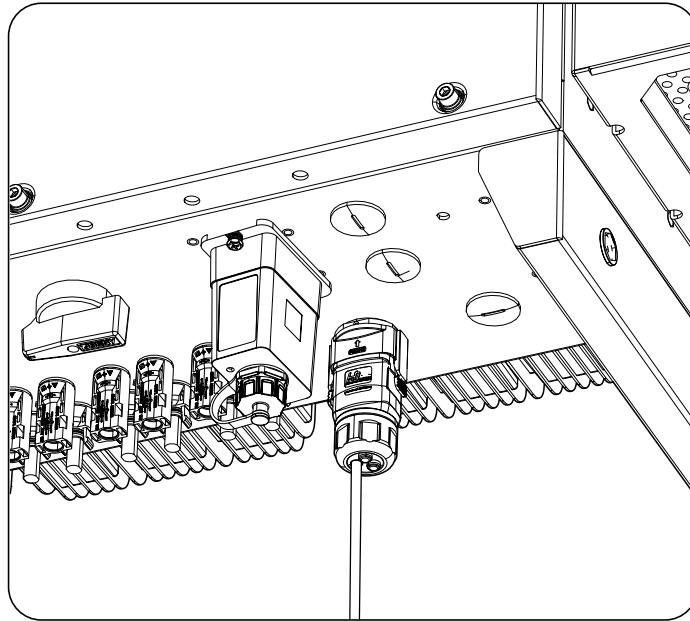
6. Rimontare l'involucro del connettore. Quando è inserito correttamente, si avvertirà un clic.



7. Stringere il dado posteriore del connettore.



8. Collegare l'antenna al connettore COM4 dell'inverter.



## 9. Collegamento AC

In questo capitolo vengono spiegati i requisiti e il processo di collegamento del cablaggio AC all'apparecchiatura. Leggere attentamente le presenti istruzioni prima di avviare la procedura di connessione.

### INFORMAZIONI

Consultare la sezione *"Importanti condizioni di sicurezza"* e le seguenti istruzioni prima di operare sul dispositivo.

Per maggiori informazioni sul collegamento dell'inverter all'impianto, consultare la sezione *"2.6. Schema elettrico del sistema"*.

### 9.1. Indicazioni di sicurezza per il collegamento AC

#### PERICOLO

Garantire che il dispositivo si trovi in assenza di tensione e che il collegamento DC non sia stato eseguito prima di avviare il collegamento di AC.

**Non alimentare** il dispositivo finché non siano state effettuate correttamente tutte le connessioni.

Utilizzare l'attrezzatura per la protezione individuale indicata nella sezione *"Dispositivi di protezione individuale (DPI)"*.

Rispettare la polarità dei cavi di AC.

#### ATTENZIONE

Ingeteam declina ogni responsabilità per i danni causati da un collegamento non corretto.

Anche le comunicazioni di questo inverter sono alimentate dal lato AC.

### 9.2. Requisiti del cablaggio per il collegamento dei cavi AC

Per garantire la sicurezza delle persone, per il corretto funzionamento del dispositivo e per soddisfare la normativa in vigore, il dispositivo deve essere collegato alla messa a terra dell'impianto.

Se l'inverter e il punto di collegamento alla rete sono separati da una distanza che richiede l'uso di cavi con una sezione maggiore, è obbligatorio l'uso di una scatola di distribuzione esterna, vicina all'inverter, per effettuare questo cambio di sezione.

Il collegamento AC dovrà essere eseguito mediante cavi monopolari. Sono necessari cinque cavi in totale: tre di fase, uno di neutro (opzionale) e uno di terra. Il materiale del conduttore può essere di rame o alluminio.

Requisiti di cablaggio per il collegamento dei cavi AC				
Cablaggio	Tipo	Materiale	Sezione	Diametro
Monopolare	5 cavi monopolari (L1, L2, L3, PE, N <sup>(1)</sup> )	Rame	70 mm <sup>2</sup> ~ 240 mm <sup>2</sup> $S_{PE} \geq S_L/2^{(2)}$	14 mm ~ 32 mm
		Alluminio	95 mm <sup>2</sup> ~ 240 mm <sup>2</sup> $S_{PE} \geq S_L/2^{(2)}$	

<sup>(1)</sup> Come opzione, l'inverter può funzionare senza il collegamento del neutro. <sup>(2)</sup>  $S_L$ : sezione cavo di fase.  $S_{PE}$ : sezione cavo PE

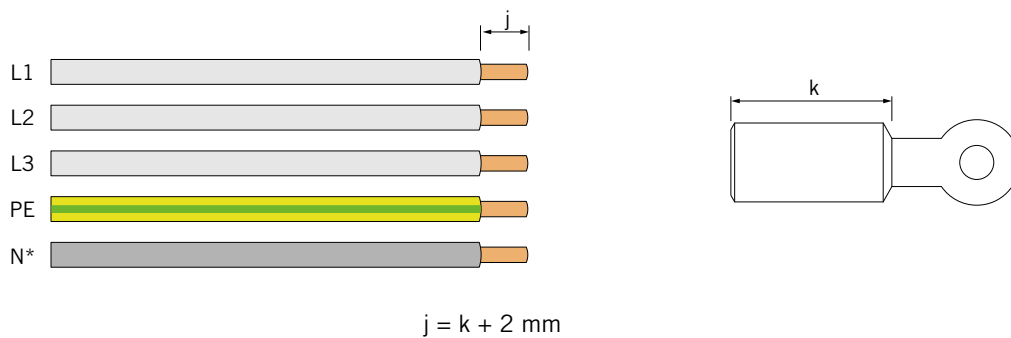
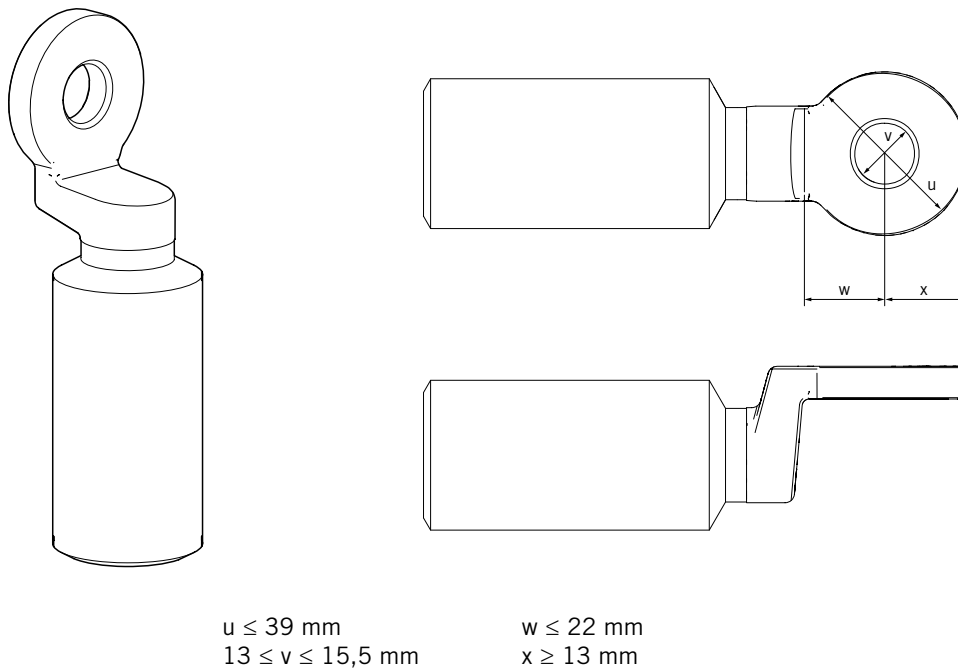
#### ATTENZIONE

In caso di utilizzo di cavi in alluminio, l'installatore dovrà applicare i mezzi necessari per evitare il formarsi di coppie galvaniche nel collegamento (come terminali bipolari, interfacce bimetalliche ecc.).

È responsabilità dell'installatore garantire che il cablaggio di terra sia delle dimensioni adeguate e soddisfi i requisiti della normativa in vigore.

### 9.3. Requisiti dei terminali per la connessione AC

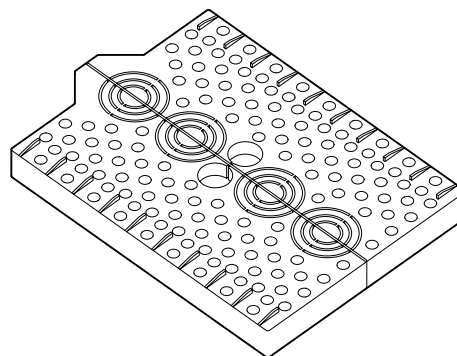
Per garantire un collegamento corretto, è necessario che i terminali M12 soddisfino i seguenti requisiti formali.



### 9.4. Procedura di collegamento AC

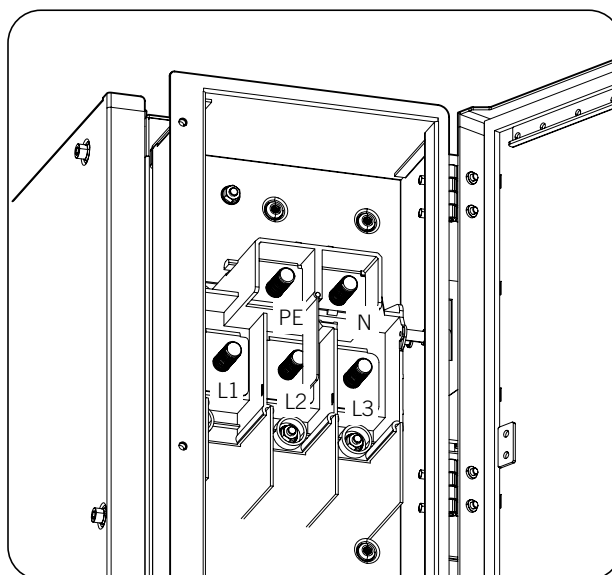
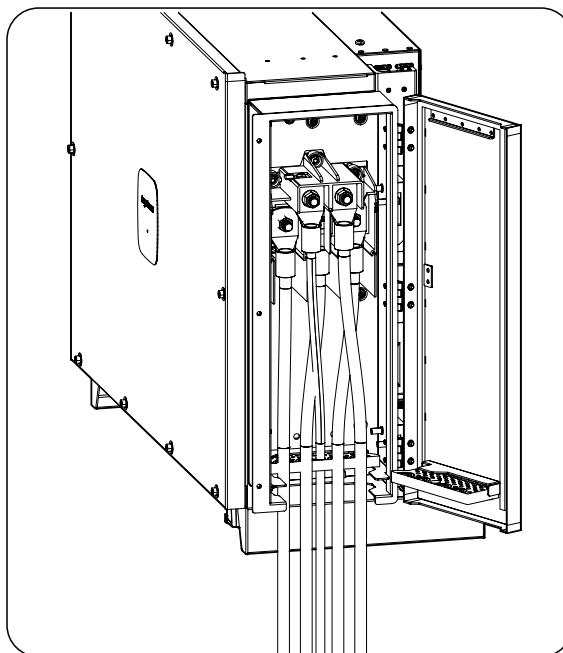
**i INFORMAZIONI**

Il dispositivo è dotato di diversi sistemi per il passaggio dei cavi per facilitare l'installazione con cavi di qualsiasi sezione.



1. Accedere al vano AC laterale dell'inverter.

2. Collegare le tre fasi, il neutro e la terra ai morsetti contrassegnati L1, L2, L3, N e PE, rispettando le polarità. La coppia di serraggio da applicare alla morsettiere è di 25 Nm.



**⚠ ATTENZIONE**

Se si collega il dispositivo a una rete TN-C, collegare le tre fasi sui morsetti L1, L2, L3 e il cavo PEN al morsetto PE. Dal terminale PE collegare un cavo con una sezione superiore a 12 mm<sup>2</sup> fino al terminale N per disporre della rilevazione del neutro.

3. Chiudere il coperchio del vano AC, controllando che la membrana inferiore sia installata correttamente.

## 10. Collegamento DC

In questo capitolo vengono spiegati i requisiti e il processo di collegamento del cablaggio DC all'apparecchiatura. Leggere attentamente le presenti istruzioni prima di avviare la procedura di connessione.

### INFORMAZIONI

Consultare la sezione *“Importanti condizioni di sicurezza”* e le seguenti istruzioni prima di operare sul dispositivo.

### 10.1. Indicazioni di sicurezza per il collegamento DC

#### PERICOLO

Assicurarsi che il dispositivo si trovi in assenza di tensione prima di effettuare qualsiasi collegamento.

**Non alimentare** il dispositivo finché non siano state effettuate correttamente tutte le connessioni.

Utilizzare l'attrezzatura per la protezione individuale indicata nella sezione *“Dispositivi di protezione individuale (DPI)”*.

Quando l'impianto fotovoltaico è esposto alla luce solare l'inverter ha una tensione DC.

#### ATTENZIONE

Ingeteam declina ogni responsabilità per i danni causati da un collegamento non corretto.

### 10.2. Requisiti del cablaggio per il collegamento dei cavi DC

#### ATTENZIONE

Le dimensioni del cablaggio impiegato per il collegamento devono essere conformi con la normativa vigente nel paese in cui viene installato il dispositivo e adeguato al tipo di installazione, corrente e tensione massima dell'impianto fotovoltaico.

Le string collegate al dispositivo devono essere elettricamente indipendenti l'una dall'altra. Vale a dire che non devono essere stringhe di corrente maggiore di quella consentita separate in più connettori, poiché la distribuzione della corrente non è garantita.

	Raggruppamenti di string								
	1-2	3-4	5-6	7-8	9-10	11-12	13-14	15-16	17-18
Diametro cablaggio	5 ~ 8 mm								
Corrente massima per raggruppamento di string	40 Adc	40 Adc	40 Adc	32 Adc	32 Adc	32 Adc	32 Adc	32 Adc	32 Adc

L'inverter include i connettori fotovoltaici per linee aeree necessari per il collegamento tra ogni string e il dispositivo.

### 10.3. Procedura di collegamento DC

#### Montaggio dei connettori per linee aeree

#### PERICOLO

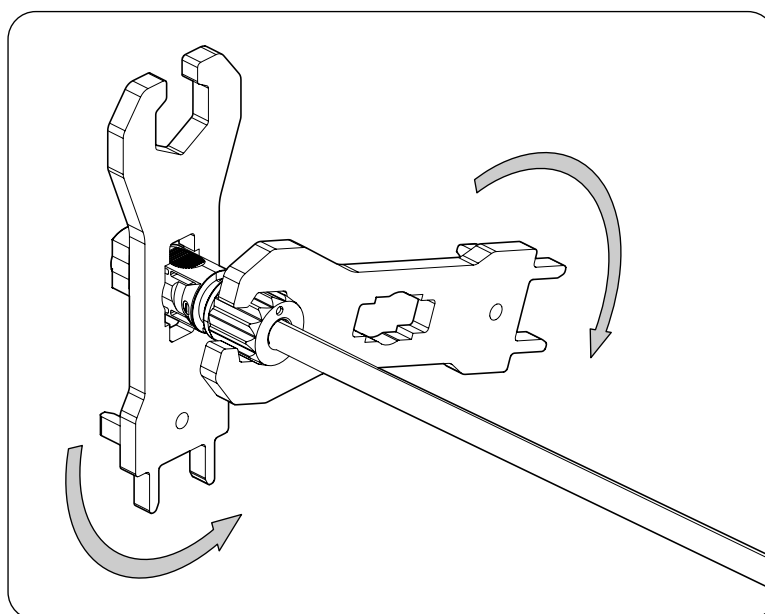
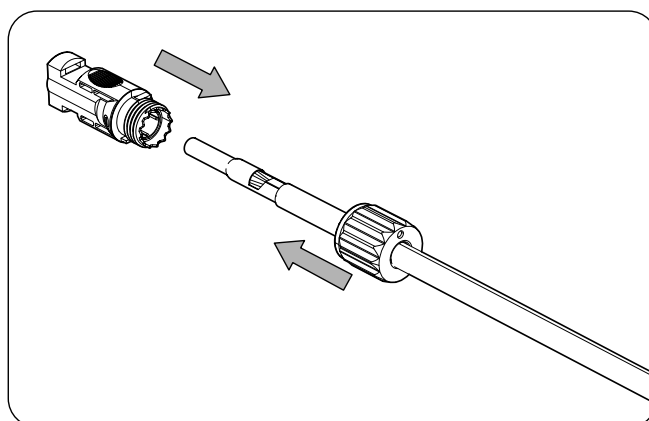
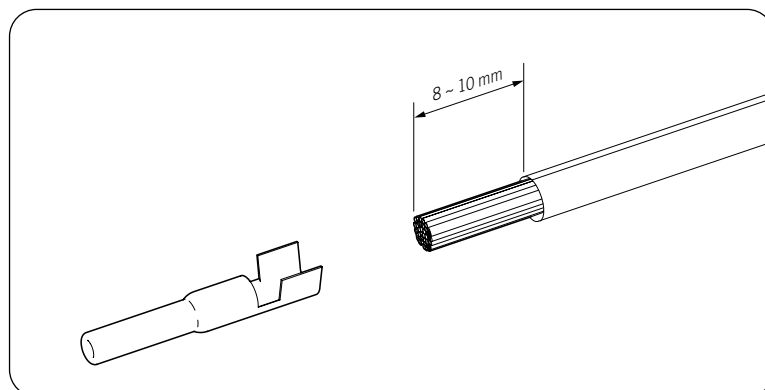
È indispensabile controllare sempre la polarità delle string e montare correttamente i connettori per le linee aeree per assicurare che il collegamento al dispositivo venga effettuato osservando la corretta polarità. Ingeteam declina ogni responsabilità per le conseguenze causate da un collegamento non corretto.

### Collegamento mediante connettori rapidi

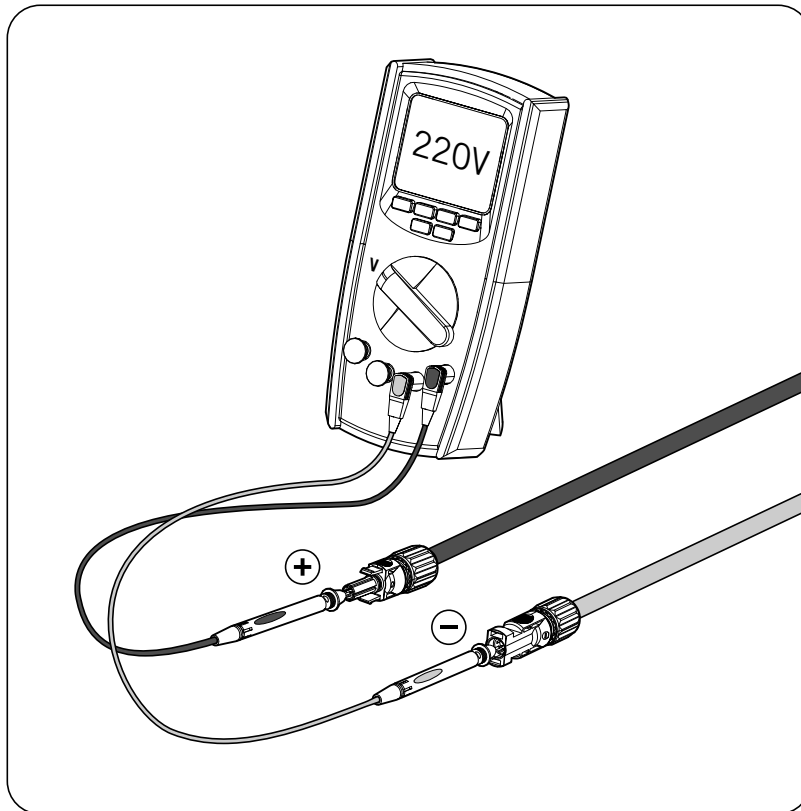
Per garantire il corretto funzionamento del sezionatore, collegare le string rispettando attentamente la numerazione. La string n°1 dovrà essere collegata ai connettori PV1+ e PV1-. Procedere allo stesso modo con il resto delle string da collegare.

Con il sezionatore spento (Off) e il dispositivo completamente chiuso:

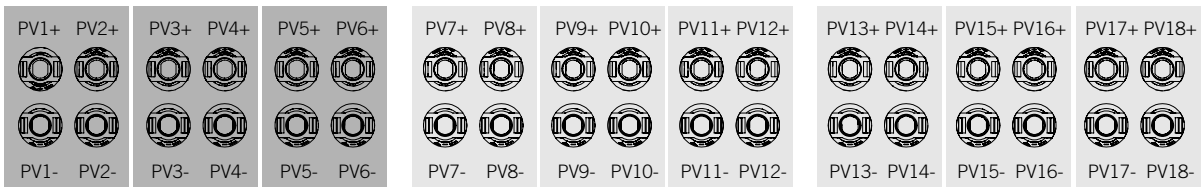
1. Togliere i tappi dei connettori in cui si collegano le string.
2. Installare i connettori dell'antenna sui cavi.



- Controllare la polarità delle string.



- Collegare le string a ciascun ingresso rispettando le polarità indicate nella piastra inferiore per il collegamento del dispositivo. Osservare la numerazione di ciascun ingresso e rispettarne la polarità.



■ Corrente massima per raggruppamento di string: 40 Adc

■ Corrente massima per raggruppamento di string: 32 Adc

**PERICOLO**

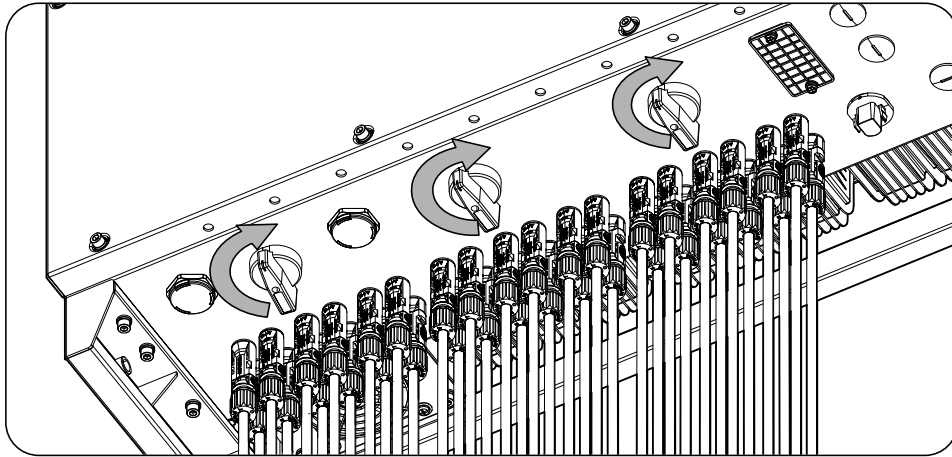
Se si collega il cablaggio in modo inverso e il sezionatore DC è attivo, non azionare immediatamente tale interruttore né i connettori. In caso contrario il dispositivo potrebbe danneggiarsi.

Attendere la notte, quando la radiazione solare diminuisce, per azionarli. Porre il selezionatore DC su OFF, estrarre i connettori e ricollegarli rispettato la polarità.

Dopo aver controllato che tutte le string siano state collegate correttamente, assicurarsi che i collegamenti siano per fissati.



5. Portare i sezionatori DC su On.



6. Se il collegamento non è corretto, la tensione AC non è sufficiente o è assente e il LED sul pannello di controllo del dispositivo lampeggerà in rosso.

# 11. Primo collegamento alla rete elettrica

In questo capitolo si spiega la procedura per il primo collegamento dell'inverter alla rete.

Questo inverter, poiché è alimentato dal lato AC, continua ad avere comunicazioni attive. In questo modo, ad esempio, un impianto di autoconsumo può continuare a essere monitorato anche in assenza di energia DC.

## 11.1. Revisione del dispositivo

Prima della messa in funzione, controllare che l'impianto sia nelle condizioni corrette.

Ogni impianto è diverso, a seconda delle sue caratteristiche, del paese in cui è situato o di altre condizioni particolari applicabili. In ogni caso, prima di procedere con la messa in funzione, è necessario verificare che l'impianto sia conforme alle leggi e alle direttive applicabili, e che sia terminata almeno la parte che deve essere messa in servizio.

### 11.1.1. Ispezione

Prima del primo collegamento dell'inverter alla rete occorre realizzare una revisione generale del dispositivo, che consiste principalmente in:

#### Controllo del cablaggio

- Verificare che i cavi siano correttamente fissati ai relativi connettori.
- Controllare che i cavi siano in buono stato e che, nell'area in cui si trovano, non vi siano elementi che li possano danneggiare, come fonti di calore intenso, oggetti taglienti che possano mozzarli o assetti che possano comportare un rischio di impatto o strattoni.
- Controllare le polarità dei cavi DC e AC.

#### Controllo fissaggio del dispositivo

Verificare che il dispositivo sia fissato correttamente e che non vi sia pericolo di caduta.

### 11.1.2. Chiusura ermetica del dispositivo

Nelle attività di installazione accertarsi che le operazioni per la connessione del dispositivo non ne abbiano alterato il grado di tenuta.

Controllare che i connettori siano correttamente regolati e che i passacavi siano chiusi in modo adeguato.

## 11.2. Collegamento e configurazione iniziale

### INFORMAZIONI

Per monitorare l'inverter da smartphone o tablet, è necessario installare l'app INGECON SUN Monitor, disponibile su Apple Store e Play Store.



<https://apps.apple.com/br/app/ingecon-sun-monitor/id1434881715>


<https://play.google.com/store/apps/details?id=com.ingeteam.ingecon.sunmonitor>

Grazie all'interfaccia utente basata sul web, l'inverter può essere configurato in modo facile e rapido utilizzando un PC o uno smartphone.

L'inverter agisce in modo predefinito come punto di accesso Wi-Fi, generando una rete SoftAP con un SSID di tipo *Ingeteam\_1MMxxxxxAxx\_MMMM*. Per impostazione predefinita, questa rete è protetta con la password *ingeconsun*.

Per stabilire la connessione locale all'inverter e configurarlo, attenersi alle seguenti istruzioni:

### Connessione con smartphone o tablet

1. Installare l'applicazione INGECON SUN Monitor.
2. Registrarsi come installatore autorizzato e accedere all'icona  per connettersi all'inverter a livello locale.
3. Per accedere all'applicazione web del dispositivo seguire la procedura indicata.

### Connessione al computer

1. Connettersi alla rete Wi-Fi generata dall'inverter.
2. Nel browser web, accedere all'applicazione web all'indirizzo <http://169.254.1.1>. È necessario registrarsi come installatore autorizzato.

Al momento della prima connessione una procedura guidata mostrerà i passaggi da seguire per realizzare una configurazione ottimale del dispositivo.

## 11.3. Connessione alla rete elettrica

Una volta configurato il dispositivo, chiudere l'interruttore magnetotermico AC esterno per fornire al dispositivo tensione AC.

Da questo momento in poi il dispositivo è pronto per essere collegato alla rete elettrica. Se il dispositivo non si collega controllare se ci sono avvisi o è attivato l'arresto manuale.

## 12. Utilizzo del dispositivo

Il funzionamento dell'inverter viene gestito mediante l'applicazione web.

### 12.1. Gestione dell'inverter mediante l'applicazione web

È possibile accedere all'applicazione di controllo da diversi tipi di dispositivi (smartphone, tablet o computer). La gestione dell'inverter dall'applicazione di controllo può essere eseguita in modo locale (inverter e dispositivo collegati alla stessa rete di comunicazione) o in remoto (inverter e dispositivo collegati a reti di comunicazione diverse).

Di seguito viene descritta la procedura di connessione locale o remota all'inverter.

L'impostazione di fabbrica per le comunicazioni consiste nel disporre di:

- Interfaccia Ethernet in modalità DHCP.
- Interfaccia Wi-Fi solo in modalità Access Point.

### 12.2. Connessione locale all'inverter mediante la rete Wi-Fi


#### INFORMAZIONI

La rete di comunicazione Wi-Fi generata dall'inverter ha una frequenza wireless di 2,4 GHz.

Sull'inverter è applicata un'etichetta che indica l'SSID e la password della rete Wi-Fi (*Default local Wi-Fi access point*).

L'inverter agisce come un punto di accesso Wi-Fi, generando una rete SoftAP. Per stabilire una connessione locale alla suddetta rete, attenersi alla seguente procedura:

#### Connessione con smartphone o tablet

1. Installare l'applicazione INGECON SUN Monitor.
2. Registrarsi come installatore autorizzato e accedere all'icona  per connettersi all'inverter a livello locale.
3. Per accedere all'applicazione web del dispositivo seguire la procedura indicata.

#### Connessione al computer

1. Connettersi alla rete Wi-Fi generata dall'inverter.
2. Nel browser web, accedere all'applicazione web all'indirizzo <http://169.254.1.1>. È necessario registrarsi come installatore autorizzato.
3. Effettuare il login utilizzando il nome utente e la password definiti sull'etichetta apposta sull'inverter (*Default local access login*).

### 12.3. Connessione dell'inverter a una rete Wi-Fi

#### INFORMAZIONI

La rete di comunicazione Wi-Fi alla quale si desidera connettere l'inverter deve avere una frequenza wireless di 2,4 GHz.

Per garantire un collegamento ottimale, Ingeteam consiglia un livello di segnale minimo Wi-Fi ricevuto dall'inverter maggiore del 50% (-75 dBm).

Per connettere l'inverter a una rete Wi-Fi esistente, attenersi alla seguente procedura:

1. Effettuare la connessione locale all'inverter (vedere [“5.4. Protezione del collegamento alla rete elettrica”](#)).
2. Accedere al menu Comms nella parte superiore.
3. Selezionare Wi-Fi nel pannello di sinistra.

4. Premere *CONNECT to Wi-Fi Network*. Verrà quindi mostrato un elenco di reti Wi-Fi disponibili. Selezionare la rete desiderata e inserire la password eventualmente richiesta.

#### **i INFORMAZIONI**

Se l'identificazione SSID di una rete Wi-Fi non può essere mostrata all'utente, inserire il nome della rete nel campo *Custom SSID*.

## 12.4. Connessione all'inverter da remoto

Per connettersi all'inverter da remoto, quest'ultimo deve essere connesso a Internet mediante una rete Wi-Fi o Ethernet. Una volta connesso a Internet, attenersi alla seguente procedura:

1. Accedere all'app INGECON SUN Monitor.
2. Creare un impianto con il *Device ID* e *Password* dell'inverter. Entrambi i dati sono riportati sull'adesivo dell'inverter.
3. Accedere all'impianto per vedere il monitoraggio dell'impianto. Inoltre, si può accedere all'applicazione web del dispositivo.

#### **i INFO**

Prendere in considerazione i seguenti requisiti:

- L'inverter deve essere connesso a una rete locale con accesso a Internet nelle porte UDP80 (o UDP1194) e TCP8883.
- Il dispositivo da cui si effettua la connessione da remoto deve avere accesso a Internet attraverso le porte TCP80, TCP22 e TCP9001.

Per impostazione predefinita, i router tengono aperte le porte necessarie alla comunicazione remota. Altrimenti richiedere l'apertura delle porte all'amministratore di rete.

Assicurare che il gateway e la maschera di rete siano corretti altrimenti l'inverter non avrà accesso a Internet. Per impostazione predefinita, l'inverter lavora in DHCP, non è quindi necessario configurare questi parametri in una rete con server DHCP.

Se si desidera configurare l'inverter con un IP statico, consultare le proprietà per la configurazione di rete di un computer o altro dispositivo nella stessa rete o inviare una richiesta all'amministratore della rete.

## 12.5. Modifica della configurazione IP della rete Wi-Fi

Per impostazione predefinita, in caso di collegamento a una rete Wi-Fi esistente, all'inverter viene assegnato un indirizzo IP dinamico (DHCP). Per collegarsi a una rete senza server DHCP o se si vuole configurare l'inverter con un indirizzo IP statico, effettuare le operazioni seguenti:

1. Accedere all'applicazione web tramite il browser del dispositivo.
2. Accedere al menu superiore *Comms*.
3. Selezionare *Wi-Fi* nel pannello di sinistra.
4. Selezionare l'opzione *Change* nel campo *Primary*.
5. Nel selettore *IP Mode*, selezionare l'opzione *Fixed* o *DHCP*.
6. Se si seleziona *Fixed*, completare i dati per la configurazione (*IP address*, *IP mask* e *IP gateway*).

#### **i INFO**

Per verificare che il gateway e la maschera di rete siano corretti, accedere alle proprietà di configurazione di rete di un PC della stessa rete o richiederla all'amministratore di rete.

7. Per terminare, premere *Send*.

Si aprirà una finestra con i dati della nuova configurazione dell'indirizzo IP.

## 12.6. Modifica della configurazione IP della rete Ethernet

In caso di collegamento a una rete Ethernet esistente, all'inverter viene assegnato di default un indirizzo IP dinamico (DHCP). Per collegarsi a una rete senza server DHCP o se si vuole configurare l'inverter con un indirizzo IP statico, effettuare le operazioni seguenti:

1. Accedere all'applicazione web tramite il browser del dispositivo.
2. Accedere al menu superiore *Comms*.
3. Selezionare *Ethernet* nel pannello a sinistra.
4. Selezionare l'opzione *Change* nel campo *Primary*.
5. Nel selettore *IP Mode*, selezionare l'opzione *Fixed* o *DHCP*.
6. Se si seleziona *Fixed*, completare i dati per la configurazione (*IP address*, *IP mask* e *IP gateway*).

### **i** INFORMAZIONI

Per verificare che il gateway e la maschera di rete siano corretti, accedere alle proprietà di configurazione di rete di un PC della stessa rete o richiederla all'amministratore di rete.

7. Per terminare, premere *Send*.

Si aprirà una finestra con i dati della nuova configurazione dell'indirizzo IP.

## 12.7. Registrare l'inverter in INGECON SUN Monitor

INGECON SUN Monitor è un'applicazione per il monitoraggio degli impianti fotovoltaici. È disponibile anche come applicazione web.

Per registrare l'inverter con INGECON SUN Monitor, l'inverter deve essere munito di un'etichetta che indichi il *Device ID* e la password (*Registrazione su [www.ingeconsunmonitor.com](http://www.ingeconsunmonitor.com)*).

### **i** INFORMAZIONI

La registrazione dell'inverter deve avvenire tramite l'applicazione web all'indirizzo [www.ingeconsunmonitor.com](http://www.ingeconsunmonitor.com).

## 12.8. Aggiornamento del firmware dell'inverter

### **i** INFORMAZIONI

Per eseguire questa procedura, l'inverter deve essere connesso a Internet tramite una rete Wi-Fi o via Ethernet.

1. Accedere all'applicazione web tramite il browser del dispositivo (vedere "[12.4. Connessione all'inverter da remoto](#)").
2. Entrare nel menu *Update*. Nel caso ci siano aggiornamenti disponibili essi vengono elencati.
3. Installare l'aggiornamento.

Questa operazione può essere eseguita anche con il pulsante che si trova sull'applicazione di controllo.

## 13. Stati e allarmi dell'inverter

Questi inverter dispongono di un'illuminazione a LED sul coperchio anteriore e di un LED sul dongle di comunicazione. Queste spie indicheranno lo stato dell'inverter e delle comunicazioni, oltre all'eventuale presenza di allarmi.

### 13.1. Stati dell'inverter (illuminazione sul coperchio anteriore)

Colore LED	Tipo di illuminazione a LED	Stato
Verde	Lampeggiante	Tentativo di collegamento o ricollegamento alla rete elettrica (standby)
	Acceso	Inverter collegato alla rete elettrica
Blu	Acceso	Funzionamento con potenza limitata
Rosso	Lampeggiante	Inverter disconnesso dalla rete per anomalia in corso
	Acceso	Inverter disconnesso dalla rete per arresto manuale
Bianco	Lampeggiante	Inverter alimentato solo da AC

### 13.2. Stati di comunicazione dell'inverter (illuminazione sul dongle di comunicazione)

Colore LED	Tipo di illuminazione a LED	Stato
Blu	Lampeggiante	Tentativo dell'inverter di stabilire una comunicazione
	Acceso	Inverter con comunicazione attiva
	Spento	Inverter senza comunicazione

### 13.3. Allarmi

#### **i** INFORMAZIONI

Consultare la guida ACL0000IMC01 che specifica gli allarmi e la risoluzione dei problemi che possono verificarsi nell'installazione e nel funzionamento. Per scaricare la guida, accedere al sito INGECON SUN Training ([www.ingeconsuntraining.info/?page\\_id=36472](http://www.ingeconsuntraining.info/?page_id=36472)).

## 14. Disconnessione del dispositivo

Per scollegare l'inverter seguire l'ordine indicato di seguito:

1. Passare alla modalità di arresto dall'applicazione di controllo.
2. Togliere tensione AC usando uno strumento di disconnessione esterno al dispositivo.
3. Togliere tensione DC usando uno strumento di disconnessione esterno al dispositivo o con il sezionatore del dispositivo, a condizione che non si smontino le barriere di protezione che coprono l'allacciamento DC.
4. Nel caso in cui sia necessario togliere le protezioni (ad esempio, per agire sull'allacciamento DC), togliere prima la tensione DC scollegando tutti i connettori rapidi.
5. Attendere 5 minuti affinché si scarichi la capacitance interna esistente e si raffreddino gli elementi interni ed esterni. Inoltre è necessario attendere che le ventole si fermino.



## 15. Manutenzione

Le attività di manutenzione consigliate devono essere effettuate con una periodicità minima annuale, eccetto quando diversamente indicato.

### 15.1. Condizioni di sicurezza

#### **PERICOLO**

Per l'esecuzione di tutte le verifiche di manutenzione riportate di seguito, il dispositivo deve trovarsi privo di tensione e nelle corrispondenti condizioni di sicurezza, comprese quelle specifiche del cliente concernenti questo tipo di interventi.

Assicurarsi che il dispositivo si trovi in assenza di tensione prima di effettuare qualsiasi operazione di manutenzione.

Durante il collegamento dell'inverter è importante collegare correttamente i cavi nei morsetti del dispositivo e non lasciare che siano accessibili parti del cablaggio che sono in tensione.

Per eseguire gli interventi di manutenzione sul dispositivo, utilizzare il Dispositivo di Protezione Individuale specificato nella sezione "*Dispositivi di protezione individuale (DPI)*" del presente documento.

#### **ATTENZIONE**

L'insieme delle indicazioni sulla sicurezza riportate di seguito deve essere ritenuto una misura minima di sicurezza.

Ingeteam declina ogni responsabilità per i danni eventualmente causati da un uso inadeguato dei dispositivi. Ogni intervento realizzato su uno qualsiasi dei dispositivi e che comporti una modifica dell'assetto elettrico originale, deve essere previamente autorizzato da Ingeteam. Le proposte devono essere esaminate e approvate da Ingeteam.

### 15.2. Stato dell'involucro

È necessario effettuare un controllo periodico degli involucri per verificare lo stato delle chiusure ermetiche e dei coperchi e dei fissaggi dei dispositivi ai rispettivi agganci a parete. È necessario, inoltre, verificare che l'involucro sia in corretto stato e non presenti segni di urti o graffi, i quali potrebbero danneggiarlo e comprometterne il grado di protezione. Nel caso in cui vengano rilevate anomalie di questo tipo, procedere a riparare o sostituire le parti interessate.

Controllare il corretto aggancio dei componenti dell'involucro ai relativi sistemi di fissaggio.

### 15.3. Stato dei cavi e dei terminali

È necessario eseguire un controllo annuale dello stato dei cavi e dei terminali.

- Controllare la corretta conduzione dei cavi, assicurandosi che non possano entrare in contatto con parti attive.
- Controllare che non vi siano anomalie negli isolamenti e nei punti caldi, controllando il colore dell'isolamento e dei morsetti.
- Controllare che i collegamenti siano serrati con la coppia di serraggio adeguata.

## 16. Smaltimento dei rifiuti

Questi dispositivi utilizzano componenti nocivi per l'ambiente (schede elettriche, batterie o pile, ecc.).



Al termine della sua vita utile, il dispositivo deve essere consegnato a un centro di raccolta autorizzato per il corretto smaltimento di rifiuti pericolosi.

Installation and Operation Manual	EN
Manual de instalación y uso	ES
Manuel d'installation et usage	FR
Manuale d'installazione e uso	IT
<b>Manual de instalação e uso</b>	<b>PT</b>

## Condições de segurança importantes

Ao longo desta seção, são descritos detalhadamente os avisos de segurança, bem como os Equipamentos de Proteção Individual ou a simbologia utilizada no equipamento.

### Condições de segurança

#### Avisos gerais



**PERIGO**

A abertura do invólucro não implica a falta de tensão no interior.

Existe perigo de descarga elétrica, mesmo depois de se desconectar a rede, o campo fotovoltaico e a alimentação auxiliar.

Apenas o pessoal qualificado poderá abri-lo, seguindo as instruções do presente manual.

É estritamente proibido acessar o interior do inversor por qualquer outro ponto que não seja o espaço AC. Entrar sempre no interior sem tensão.



**ATENÇÃO**

As operações detalhadas no manual só podem ser realizadas por pessoal qualificado.

A condição referida de pessoal qualificado no presente manual será, no mínimo, aquela que satisfaça todas as normas, regulamentos e leis sobre segurança aplicáveis aos trabalhos de instalação e operação deste equipamento.

A responsabilidade de designar o pessoal qualificado recairá sempre sobre a empresa para a qual trabalhe este pessoal, devendo a empresa decidir qual trabalhador é indicado ou não para realizar um ou outro trabalho para preservar sua segurança, ao mesmo tempo em que cumpre a legislação sobre segurança no trabalho.

Essas empresas são responsáveis por proporcionar um treinamento adequado sobre equipamentos elétricos ao pessoal e familiarizá-lo com o conteúdo do presente manual.

É obrigatório agir em conformidade com a legislação aplicável em matéria de segurança para os trabalhos elétricos. Existe perigo de descarga elétrica.

O cumprimento das instruções de segurança descritas neste manual ou da legislação proposta não dispensa o cumprimento de outras normas específicas da instalação, local, país ou outras circunstâncias que afetem o inversor.

O conjunto das condições detalhadas neste documento deve ser considerado mínimo. Sempre é preferível cortar a alimentação geral. Podem existir defeitos na instalação que produzam retornos de tensão não desejados. Existe perigo de descarga elétrica.

De acordo com as normas de segurança gerais, o equipamento deve ser adequado para proteger os trabalhadores expostos contra o risco de contatos diretos e indiretos. Em qualquer caso, as partes elétricas dos equipamentos de trabalho devem estar ajustadas às disposições das regulamentações específicas correspondentes.

De acordo com as normas de segurança gerais, a instalação elétrica não deve implicar riscos de incêndio ou explosão. Os trabalhadores devem estar devidamente protegidos contra os riscos de acidente causados por contatos diretos ou indiretos. A instalação elétrica e os dispositivos de proteção deverão considerar a tensão, os fatores externos condicionantes e a competência das pessoas que tenham acesso a partes da instalação.

Para verificar a ausência de tensão, é obrigatório usar elementos de medida da categoria III e tensão superior à tensão máxima campo fotovoltaico.



**INFO**

Estas instruções devem estar bem acessíveis, próximas do equipamento e ao alcance de todos os usuários.

Antes da instalação e colocação em funcionamento, ler atentamente estas instruções de segurança e avisos, bem como todos os sinais de advertência colocados no equipamento. Assegure-se de que todos os sinais de advertência permaneçam perfeitamente legíveis e que os sinais danificados ou em falta sejam substituídos.

**i INFO**

A proteção contra contatos diretos é realizada através do invólucro.

O equipamento foi testado de acordo com as regulamentações aplicáveis para cumprir os requisitos de segurança, os valores das distâncias de isolamento e linhas de fuga para as tensões de utilização.

**Perigos potenciais para as pessoas****⚠ PERIGO**

Choque elétrico.

O equipamento pode permanecer carregado depois de desligar o campo fotovoltaico, a alimentação de rede e as alimentações auxiliares.

Seguir cuidadosamente os passos obrigatórios no manual para retirar a tensão.

Explosão.

Existe um risco muito improvável de explosão em casos muito específicos de mau funcionamento.

A armação apenas protegerá o pessoal e os bens materiais de explosão se ela estiver corretamente fechada.

Esmagamento e lesões articulares.

Siga sempre as indicações do manual para mover e instalar o equipamento.

O peso deste equipamento pode provocar lesões, feridas graves e até a morte se ele não for manipulado corretamente.

Alta temperatura.

O fluxo de ar de saída pode alcançar temperaturas altas que causem danos nas pessoas expostas.

**Perigos potenciais para o equipamento****⚠ PERIGO**

Refrigeração.

O equipamento necessita de um fluxo de ar livre de partículas enquanto está funcionando.

Manter a posição vertical e as entradas sem obstáculos é imprescindível para que o fluxo de ar chegue ao interior do equipamento.

Não toque nas placas nem nos componentes eletrônicos. Os componentes mais sensíveis podem ficar danificados ou ser destruídos pela eletricidade estática.

Não desligue nem ligue um terminal enquanto o equipamento estiver em funcionamento. Desligue e verifique a falta de tensão previamente.

Para evitar o desgaste prematuro das uniões aparafusadas dos painéis do invólucro do equipamento, é necessário que as tarefas de retirada e instalação dos parafusos sejam realizadas com utilização de ferramenta manual.

## Equipamento de proteção individual (EPI)

Sempre que trabalhar no equipamento use, no mínimo, os seguintes equipamentos de segurança recomendados pela Ingeteam.

Denominação	Explicação
Calçado de segurança	Em conformidade com a norma <i>UNE-EN-ISO 20345:2012</i>
Capacete com máscara	Em conformidade com a norma <i>UNE-EN 397:1995</i> , sempre que existam elementos com tensão diretamente acessíveis
Vestuário de trabalho	Justo ao corpo, não inflamável, 100 % de algodão
Luvas dielétricas	Em conformidade com a norma <i>EN 60903:2005</i>

As ferramentas e/ou equipamentos usados nos trabalhos sob tensão devem ter obrigatoriamente isolamento da categoria III e tensão superior à tensão máxima do campo fotovoltaico.

No caso de as regulamentações próprias do local exigirem outros tipos de equipamentos de proteção individual, os equipamentos recomendados pela Ingeteam deverão se complementar de forma adequada.

# Índice

Condições de segurança importantes .....	188
Condições de segurança .....	188
Equipamento de proteção individual (EPI) .....	190
Índice.....	191
1. Informações sobre este manual .....	193
1.1. Destinatários .....	193
1.2. Símbolos.....	193
2. Descrição do equipamento .....	194
2.1. Visão geral .....	194
2.2. Comunicações equipadas de série .....	195
2.3. Segurança elétrica .....	195
2.3.1. Categoria de sobretensão (OVC).....	195
2.4. Grau de contaminação.....	195
2.5. Contaminação acústica.....	195
2.6. Esquema elétrico do sistema.....	196
2.7. Tabela de características.....	197
2.8. Descrição dos acessos de fiação .....	198
3. Recepção do equipamento e armazenagem.....	199
3.1. Recepção.....	199
3.2. Identificação do equipamento .....	199
3.3. Danos no transporte .....	199
3.4. Armazenamento .....	199
3.5. Conservação .....	199
4. Transporte do equipamento .....	200
4.1. Transporte .....	200
5. Preparação para a instalação do equipamento.....	201
5.1. Ambiente.....	201
5.2. Condições ambientais .....	202
5.3. Superfície de apoio e encaixe.....	203
5.4. Proteção da conexão com a rede elétrica .....	203
5.5. Tipo de rede .....	203
5.6. Comprimento da fiação.....	203
5.7. Painéis fotovoltaicos .....	203
5.8. Sistema de desconexão externo .....	203
6. Instalação do equipamento .....	204
6.1. Requisitos gerais de instalação.....	204
6.2. Fixação do equipamento na parede.....	204
6.3. Abertura e fechamento do invólucro.....	207
7. Conexão da proteção externa de terra .....	208
7.1. Indicações de segurança para a conexão da rede da proteção externa de terra.....	208
7.2. Requisitos da fiação para a conexão da rede da proteção externa de terra .....	208
7.3. Processo de conexão da proteção externa de terra .....	209
8. Conexão de comunicações .....	210
8.1. Indicações de segurança para a conexão de comunicações.....	210
8.2. Conexão da comunicação por Ethernet.....	210
8.2.1. Requisitos da fiação.....	210
8.2.2. Processo de conexão .....	210
8.3. Conexão por Wi-Fi .....	212
8.4. Conexão da comunicação da porta COM4 .....	212
8.4.1. Requisitos da fiação.....	213
8.4.2. Processo de conexão .....	213
9. Conexão de AC.....	217
9.1. Indicações de segurança para a conexão de AC.....	217
9.2. Requisitos da fiação para a conexão de AC .....	217

9.3. Requisitos dos terminais para a conexão de AC.....	218
9.4. Processo de conexão de AC.....	218
10. Conexão de DC .....	220
10.1. Indicações de segurança para a conexão de DC.....	220
10.2. Requisitos da fiação para a conexão de DC.....	220
10.3. Processo de conexão de DC.....	220
11. Primeira conexão com a rede.....	224
11.1. Revisão do equipamento.....	224
11.1.1. Inspeção.....	224
11.1.2. Fechamento hermético do equipamento.....	224
11.2. Conexão e configuração inicial .....	224
11.3. Conexão à rede elétrica .....	225
12. Utilização do equipamento.....	226
12.1. Gestão do inversor através do aplicativo Web .....	226
12.2. Conectar localmente com o inversor através da sua rede Wi-Fi.....	226
12.3. Conectar o inversor com uma rede Wi-Fi.....	226
12.4. Conectar remotamente com o inversor.....	227
12.5. Alterar a configuração IP de uma rede Wi-Fi .....	227
12.6. Alterar a configuração IP de uma rede Ethernet .....	228
12.7. Registrar o inversor no INGECON SUN Monitor .....	228
12.8. Atualizar o firmware do inversor.....	228
13. Estados e alarmes do inversor .....	229
13.1. Estados do inversor (iluminação no painel frontal).....	229
13.2. Estados das comunicações do inversor (iluminação no dongle de comunicações) .....	229
13.3. Alarmes .....	229
14. Desligamento do equipamento.....	230
15. Manutenção .....	231
15.1. Condições de segurança .....	231
15.2. Estado do invólucro.....	231
15.3. Estado dos cabos e dos terminais .....	231
16. Tratamento de resíduos.....	232



# 1. Informações sobre este manual

Este manual tem como objetivo descrever o inversor INGECON SUN 110TL M9 e fornecer as informações adequadas para a sua correta recepção, instalação, colocação em funcionamento, manutenção e operação.

## 1.1. Destinatários

O presente documento se destina a pessoal qualificado.

A condição referida de pessoal qualificado no presente manual será, no mínimo, aquela que satisfaça todas as normas, regulamentos e leis sobre segurança aplicáveis aos trabalhos de instalação e operação deste equipamento.

A responsabilidade de designar o pessoal qualificado recairá sempre sobre a empresa para a qual trabalhe este pessoal, devendo a empresa decidir qual trabalhador é indicado ou não para realizar um ou outro trabalho para preservar sua segurança, ao mesmo tempo em que cumpre a legislação sobre segurança no trabalho.

Essas empresas são responsáveis por proporcionar um treinamento adequado sobre equipamentos elétricos ao pessoal e familiarizá-lo com o conteúdo do presente manual.

## 1.2. Símbolos

Este manual inclui avisos para seleção das informações que se pretende ver ressaltadas. De acordo com o gênero de conteúdo do texto, existem três tipos de avisos:



**PERIGO**

Indicação de riscos para a integridade do pessoal ou do inversor.



**ATENÇÃO**

Indicação de caráter importante.



**INFO**

Informação adicional ou referências a outras partes do documento ou a outros documentos.

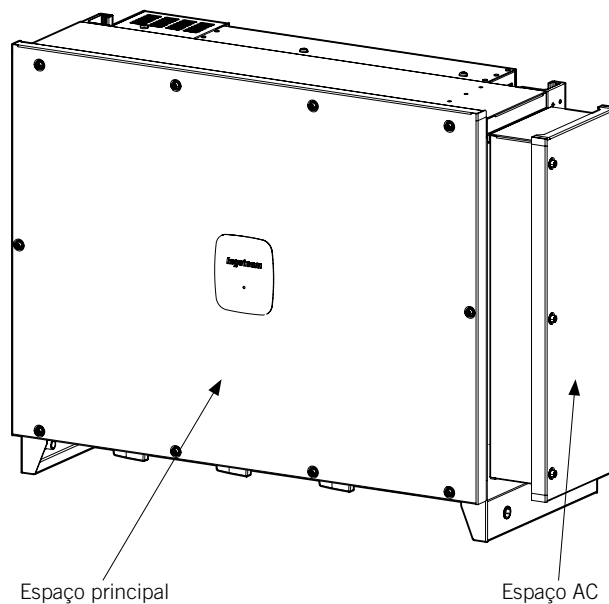
## 2. Descrição do equipamento

### 2.1. Visão geral

A finalidade básica deste inversor é transformar a corrente contínua gerada por até nove campos fotovoltaicos em corrente alternada, para que ela seja injetada na rede elétrica.

Além disso, sua função é procurar os pontos de potência máxima dos referidos campos fotovoltaicos e cumprir os requisitos necessários das diferentes normas de suporte para a rede elétrica.

Esses inversores têm duas partes diferentes: o espaço principal e o espaço AC.



#### **⚠ ATENÇÃO**

Todas as tarefas necessárias para a utilização e a manutenção corretas do inversor devem ser realizadas no espaço AC.

O espaço principal não deve ser aberto em nenhuma circunstância. Em caso de abertura, a garantia é anulada.

Esses inversores não dispõem de transformador para a conexão de campos fotovoltaicos isolados à rede elétrica.

Algumas das características principais destes inversores:

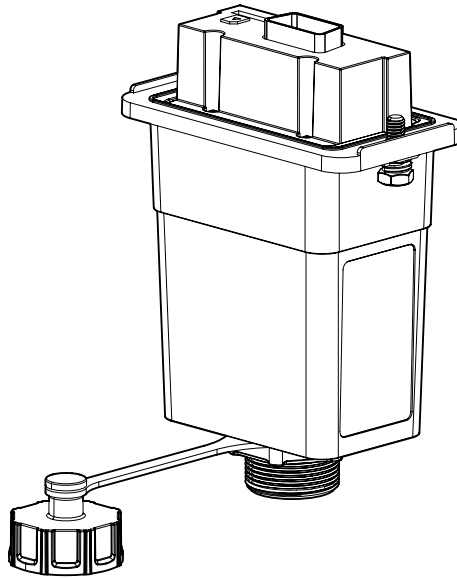
- Medição de correntes de entrada de MPPT.
- Secionador DC.
- Descarregadores de sobretensão DC e AC tipo 2.

Dispõem dos seguintes dispositivos de procura do ponto de potência máxima na entrada DC. A conexão é realizada através de conectores rápidos.

Entrada DC	IS 110TL M9
N.º de dispositivos de procura do ponto de potência máxima	9
N.º pares de conectores rápidos	18

## 2.2. Comunicações equipadas de série

Estes inversores dispõem de um dongle para a comunicação por Ethernet ou Wi-Fi. O inversor será ligado na porta *COM1*.



## 2.3. Segurança elétrica

Em seguida, são dadas a conhecer várias dimensões do esquema relevantes para a segurança elétrica.

### 2.3.1. Categoria de sobretensão (OVC)

Estes equipamentos cumprem as normas *IEC 62109-1* e *IEC 62109-2*.

O circuito AC foi concebido com uma categoria de sobretensão II (OVC II). O circuito DC foi concebido com uma categoria de sobretensão I (OVC I).

## 2.4. Grau de contaminação

Os equipamentos cumprem com o grau de contaminação 3 exigido para este tipo de inversores.

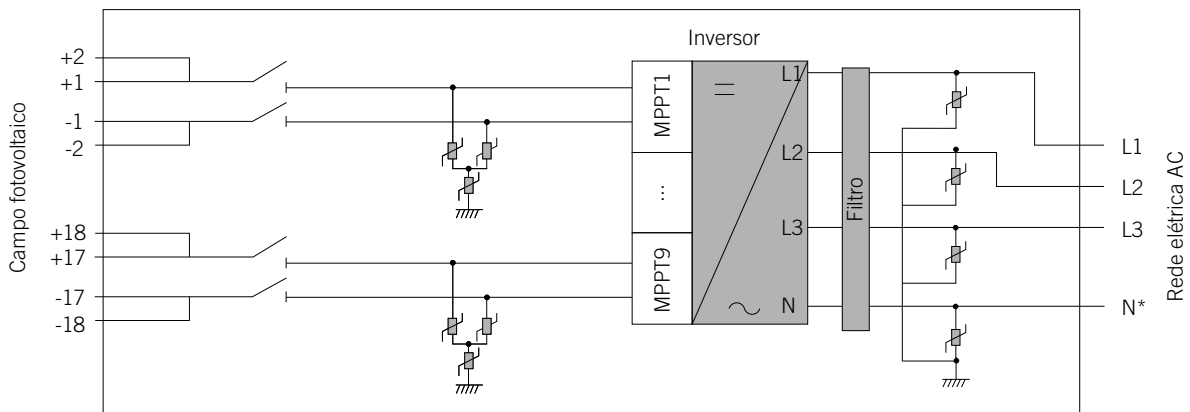
## 2.5. Contaminação acústica

O funcionamento deste equipamento gera um leve ruído. Não os coloque em um ambiente habitado ou em cima de suportes leves que possam amplificar esse ruído. A superfície de montagem deve ser firme e adequada ao peso do equipamento.

## 2.6. Esquema elétrico do sistema

**i INFO**

Estes equipamentos empregam o terminal do neutro apenas para fins de medição, sendo possível trabalhar sem o cabo de neutro, continuar conectado com a rede e injetar a potência do campo fotovoltaico. No entanto, existem normas que exigem o supervisionamento da tensão da fase da rede, quer durante o funcionamento normal quer durante transitórios de rede. Neste caso, a não inclusão do cabo de neutro pode significar um incumprimento dos requisitos das referidas normas.



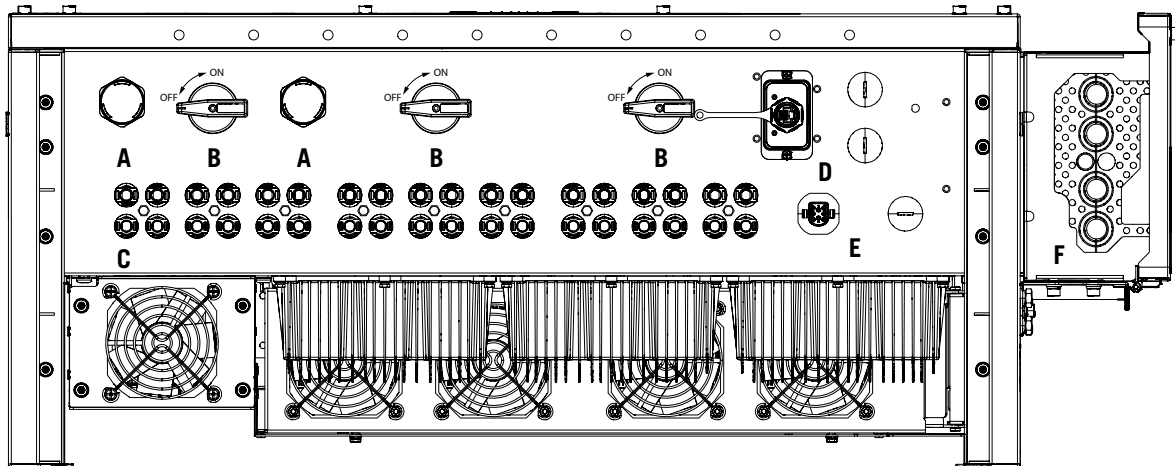
\*opcional

## 2.7. Tabela de características

110TL M9	
<b>Entrada DC</b>	
Intervalo de potência recomendado do módulo fotovoltaico	113,3 ~ 165 kWp
Intervalo de tensão de MPPT	200 ~ 1000 V
Tensão máxima	1100 V
Tensão de entrada nominal	600 V
Tensão de partida/Tensão de funcionamento mín.	250 V/200 V
Corrente máxima de curto-circuito	3*50 A + 6*45 A
Corrente máxima	3*40 A + 6*32 A
Entradas com conectores fotovoltaicos	18 (9*2)
Número de MPPT	9
<b>Saída AC</b>	
Potência nominal	110 kW
Potência aparente máxima <sup>(1)</sup>	123 kVA
Potência ativa máxima (PF=1) <sup>(1)</sup>	121 kW
Corrente de saída máxima	187 A
Tensão nominal	400 V
Intervalo de tensão <sup>(2)</sup>	322 V ~ 520 V (regulável)
Frequência	50/60 Hz
Tipo de rede	TT, TN, IT
Fator de potência regulável	Sim. 0 ~ 1 (avanço/retrocesso)
<b>Eficiência</b>	
Eficiência máxima	98,2%
Euro eficiência	97,8%
<b>Informação geral</b>	
Sistema de refrigeração	Ventilação forçada
Consumo noturno	<10 W
Temperatura de funcionamento	-25 °C ~ 60 °C
Umidade relativa (sem condensação)	0 ~ 100%
Grau de proteção	IP66
Marcação	CE
Emissões acústicas	< 65 dB
Altitude máxima da instalação	4000 m
Peso	92 kg
Medidas (altura x largura x profundidade)	678 x 936 x 365 mm
Normas de compatibilidade eletromagnética e segurança	EN 61000-6-2, EN 61000-6-4, EN 62109-1, EN 62109-2
Norma de conexão com a rede	IEC 61727:2004, IEC 62116:2014, EN 50549-1:2019, EN 50549-2:2019, UNE 217002:2020, UNE 217001:2020, NTS SEPE 2.1 type B, CEI 0-21 v1 November 2022 (including Allegato B), CEI 0-16 v1 November 2022 (including Allegato N), VDE-AR-N 4105:2018

<sup>(1)</sup> Na Espanha, segundo a regulamentação espanhola, a potência ativa máxima será a mesma que a potência nominal. <sup>(2)</sup> O intervalo de tensão e frequência de saída pode variar em função dos distintos códigos de rede.

## 2.8. Descrição dos acessos de fiação



- |                             |  |
|-----------------------------|--|
| A. Válvulas anticondensação | D. COM1 para dongle de comunicações (Ethernet/Wi-Fi) |
| B. Seccionadores DC         | E. COM4  |
| C. Conectores rápidos DC    | F. Fiação AC   |

## 3. Recepção do equipamento e armazenagem

### 3.1. Recepção

Manter o equipamento dentro da embalagem até imediatamente antes de sua instalação.

### 3.2. Identificação do equipamento

O número de série do equipamento o identifica de forma inequívoca. Em qualquer comunicação com a Ingeteam, faça referência a este número.

O número de série do equipamento também está indicado na placa de identificação.

### 3.3. Danos no transporte

Se, durante o transporte, o equipamento tiver sofrido danos, siga os seguintes passos na seguinte ordem:

1. Não proceda à instalação.
2. Notifique imediatamente o distribuidor no prazo de cinco dias a partir da recepção do equipamento.

Se for necessário devolver o equipamento ao fabricante, utilize a mesma embalagem na qual o equipamento foi recebido.

### 3.4. Armazenamento

#### ATENÇÃO

O incumprimento das instruções fornecidas nesta seção pode originar danos no equipamento.

A Ingeteam não assume nenhuma responsabilidade pelos danos decorrentes do incumprimento destas instruções.

Se o equipamento não for instalado imediatamente após a sua recepção, deve-se ter em conta os seguintes aspectos de modo a evitar sua deterioração:

- O equipamento deve ser armazenado em sua embalagem original e em posição vertical, tendo em conta que o empilhamento não é permitido.
- Mantenha o equipamento livre de sujeira (pó, aparas, gordura, etc.) e de roedores.
- Evite que ele receba salpicos de água, faíscas de soldagens, etc.
- Cubra o equipamento com um material protetor transpirável, de modo a evitar a condensação gerada pela umidade do ambiente.
- Os equipamentos armazenados não deverão estar submetidos a condições climáticas diferentes das indicadas na seção [“2.7. Tabela de características”](#).
- É muito importante proteger o equipamento de produtos químicos (que possam provocar corrosão) e de ambientes salinos.
- Não deixe o equipamento ao ar livre.

### 3.5. Conservação

Para obter uma conservação correta dos equipamentos, não se deve retirar a embalagem original até o momento da respectiva instalação.

Em caso de armazenamento prolongado, é recomendável que ele seja realizado em locais secos, evitando dentro do possível, mudanças bruscas de temperatura.

A deterioração da embalagem (cortes, aberturas, etc.) faz com que os equipamentos não se mantenham em ótimas condições antes de sua instalação. A Ingeteam não se responsabiliza pelo equipamento em caso de incumprimento desta condição.

## 4. Transporte do equipamento

O equipamento deve ser transportado em posição vertical, protegido durante o transporte contra golpes mecânicos, vibrações, salpicos de água (chuva) e qualquer outro produto ou situação que possa danificar ou alterar seu bom funcionamento. A inobservância destas instruções pode originar a perda de garantia do produto, da qual a Ingeteam não se responsabiliza.

### 4.1. Transporte

#### Transporte através de carregador de paletes ou de empilhadeira

As seguintes instruções deverão ser obrigatoriamente seguidas:

1. Pouse os equipamentos embalados centrados em relação às extremidades.
2. Procure colocá-los o mais próximo possível da união das extremidades com o puxador.
3. Assegure-se de que as pinças estão perfeitamente niveladas para evitar possíveis derrubamentos do equipamento.
4. Respeite sempre o manual de utilização do carregador de paletes ou da empilhadeira.

Uma vez transportado o equipamento para o local onde ficará situado, ele só deverá ser desembalado no momento da instalação.

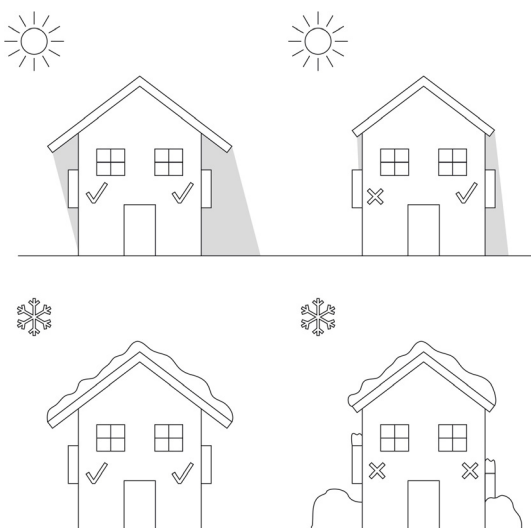


## 5. Preparação para a instalação do equipamento

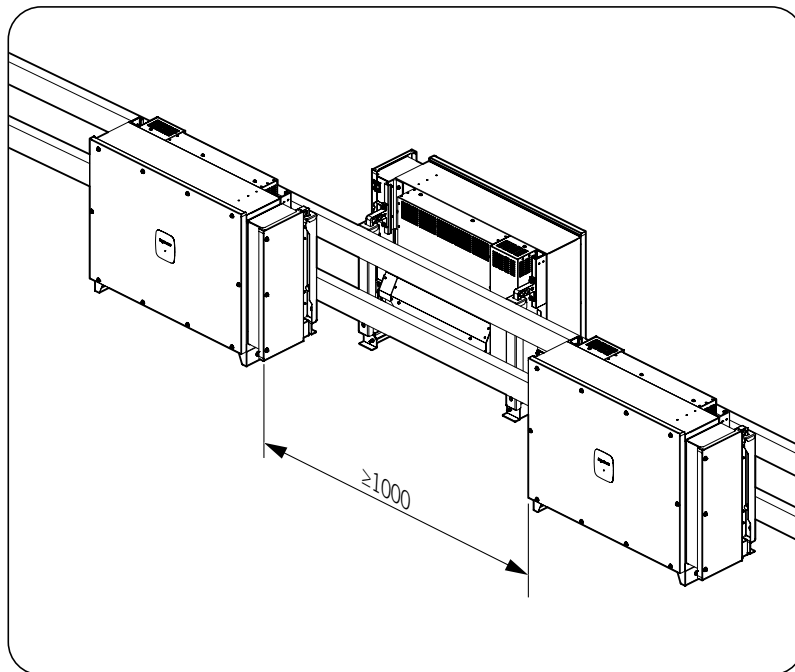
No momento de escolher a localização do equipamento e planejar a respectiva instalação, deve ser seguida uma série de instruções derivadas das características do mesmo. Neste capítulo, são resumidas estas pautas.

### 5.1. Ambiente

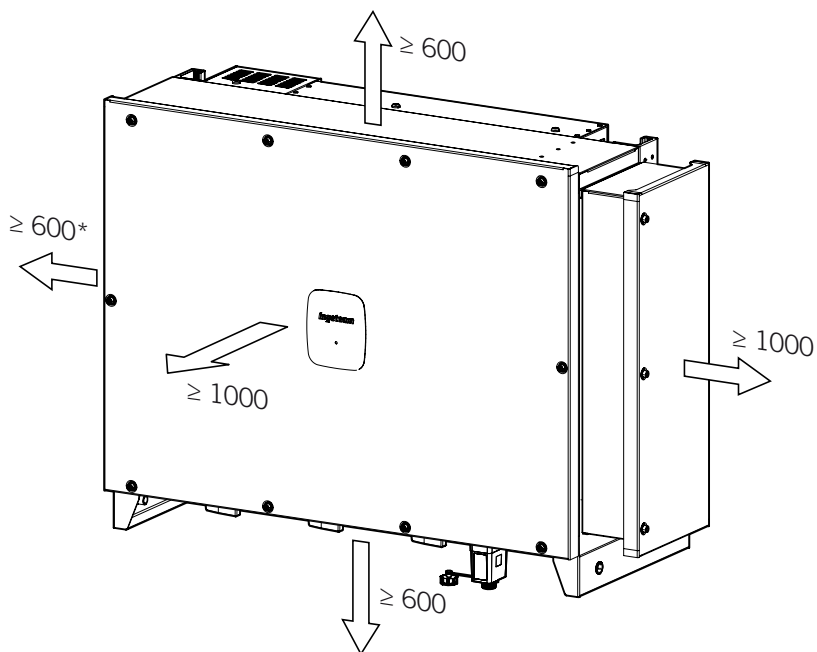
- Estes equipamentos podem ser instalados em interiores e exteriores.
- Coloque os equipamentos em um local acessível para os trabalhos de instalação e manutenção e que permita o acesso ao painel de controle.
- Evite ambientes corrosivos que possam afetar o funcionamento correto do inversor.
- Não deixe objetos apoiados sobre o equipamento ou sobre as suas partes laterais, visto que eles podem obstruir a ventilação e ficar sujeitos a altas temperaturas.
- Os inversores não devem ser expostos à radiação solar direta.
- Não instale os equipamentos em locais habitados devido ao ruído provocado pelo seu funcionamento.
- No caso de instalar os equipamentos dentro de um espaço fechado (residência, compartimento, etc.), assegure uma ventilação correta. O intervalo de funcionamento dos equipamentos depende da sua temperatura ambiente, por isso, uma ventilação inadequada pode resultar na limitação das suas capacidades.



- Se instalar mais de um inversor, você deve se certificar de que a extração de ar quente de uns não interfere com a ventilação correta de outros. É necessário deixar uma separação lateral entre eles de, pelo menos, 1.000 mm.



- Mantenha as seguintes distâncias mínimas livres de obstáculos.



\*Caso sejam colocados vários inversores contíguos, a distância mínima entre eles será de 1.000 mm.

## 5.2. Condições ambientais

Tenha em conta as condições ambientais de funcionamento do equipamento indicadas na seção [“2.7. Tabela de características”](#) para escolher sua localização.

É necessário ter em conta que ocasionalmente uma condensação moderada pode se formar como consequência das variações de temperatura. Por este motivo, e à margem da própria proteção do equipamento, é necessário

supervisionar esses equipamentos, uma vez colocados em funcionamento nos locais em que se julgue que não irão ocorrer as condições anteriormente descritas.

Nunca aplique tensão nos equipamentos com condensação.

### 5.3. Superfície de apoio e encaixe

Estes inversores devem ser instalados na vertical.

Deverá ser reservada uma parede ou estrutura sólida para conectar o equipamento, devendo poder ser furada e incorporar elementos de fixação aptos para suportar o peso do equipamento.

### 5.4. Proteção da conexão com a rede elétrica

É necessário instalar elementos de proteção na conexão do inversor com a rede elétrica.

#### Interruptor magnetotérmico

É necessário instalar um interruptor magnetotérmico e/ou fusível na conexão do inversor com a rede elétrica.

A tabela a seguir fornece os dados necessários para o instalador selecionar esse dispositivo.

Corrente máxima do inversor	Corrente nominal do magnetotérmico
187 A	250 A

No momento de selecionar a proteção em uma instalação, tenha em conta que o poder de corte da mesma deve ser superior à corrente de curto-circuito do ponto de conexão com a rede.

Tenha em conta que a escolha correta da temperatura ambiente de trabalho influencia a corrente máxima permitida por estas proteções segundo a indicação do fabricante.

#### Interruptor diferencial

Se a regulamentação atual do país da instalação exigir uma proteção diferencial entre o inversor e a rede elétrica, ela deve ser superior a 1.230 mA.

### 5.5. Tipo de rede

Esses equipamentos podem ser ligados a redes trifásicas do tipo IT, TT e TN.

### 5.6. Comprimento da fiação

O inversor mede a tensão nos terminais de conexão, por isso, o instalador deve empregar um cabo AC com uma impedância suficientemente baixa para que o aumento de tensão no cabo (entre o transformador de distribuição e o equipamento) não provoque o corte de ligação do equipamento por tensão alta.

### 5.7. Painéis fotovoltaicos

Os painéis fotovoltaicos da instalação devem ser de classe A (*IEC 61730*). Estes equipamentos não permitem o aterramento dos painéis fotovoltaicos, por isso, o polo positivo e o polo negativo do campo fotovoltaico não devem ser ligados à terra. Caso contrário, é provocada uma falha de isolamento no inversor.

No entanto, a estrutura metálica em que são fixados os painéis fotovoltaicos e/ou o quadro metálico do painel podem estar ligados à terra.

### 5.8. Sistema de desconexão externo

Para trabalhos de inspeção do equipamento, é necessário retirar tensão de alimentação DC e AC. Para isso, o instalador deverá instalar um sistema de desconexão externo.

## 6. Instalação do equipamento

Verifique se existe condensação no interior da embalagem. Se existirem sinais de condensação, o equipamento não deverá ser instalado até assegurar que ele está completamente seco.

### ⚠ ATENÇÃO

Todas as operações de instalação devem cumprir a regulamentação vigente.

Todas as operações que impliquem a movimentação de pesos elevados devem ser realizadas com a ajuda dos meios de assistência mecânica necessários (guindaste, bloco de polias, etc.).

Caso a instalação fotovoltaica esteja localizada na França, é necessário fixar firmemente em cada inversor os autocolantes indicados nas normas C18-510 e C15-712-1/2/3.

### 6.1. Requisitos gerais de instalação

- O ambiente do equipamento deve ser adequado e satisfazer as instruções descritas no capítulo “5. Preparação para a instalação do equipamento”. Além disso, os elementos utilizados na restante instalação devem ser compatíveis com o equipamento e com o cumprimento da legislação aplicável.
- A ventilação e o espaço de trabalho devem ser adequados para os trabalhos de manutenção, de acordo com a regulamentação aplicável vigente.
- Os dispositivos exteriores de conexão devem ser adequados e estar suficientemente próximos, de acordo com o estabelecido na regulamentação vigente.
- Os cabos de ligação devem ter a seção adequada à intensidade máxima.
- Tenha especial cuidado para não existirem elementos exteriores próximos às entradas e saídas de ar que impeçam a refrigeração correta do equipamento, respeitando as distâncias indicadas na seção “5.1. Ambiente”.

### 6.2. Fixação do equipamento na parede

#### ⚠ ATENÇÃO

Esses inversores admitem a instalação em parede ou mediante suporte de montagem. A parede ou estrutura sobre a qual será instalado deve ser capaz de suportar o peso do mesmo.

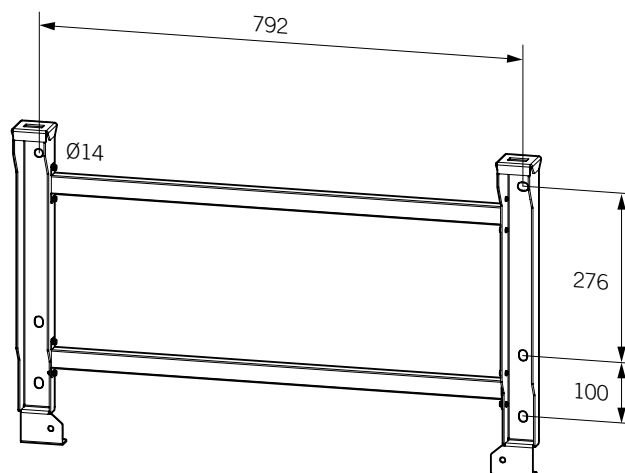
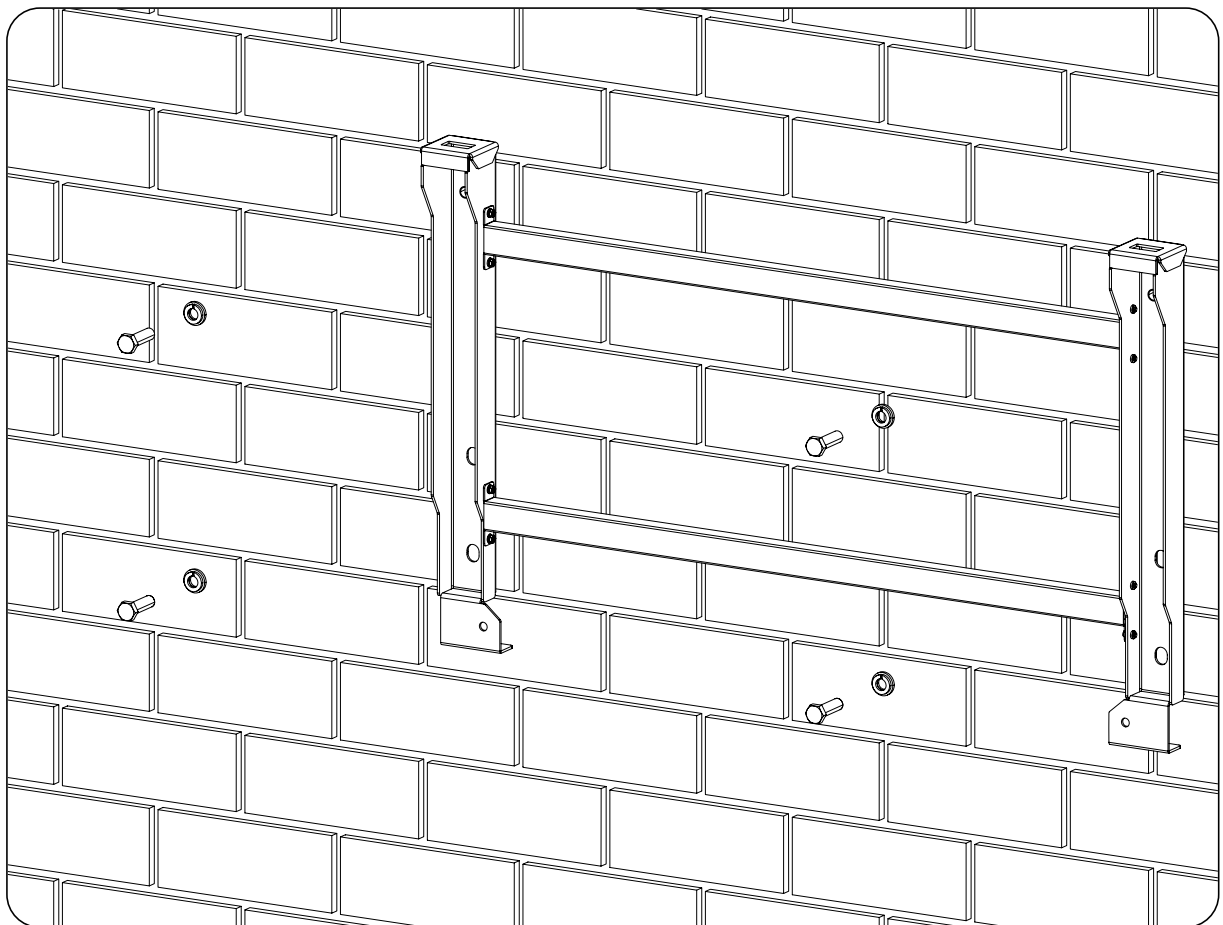
Em caso de instalação na parede, a capacidade de carga de tal parede deverá ser superior a 10 KN/m<sup>2</sup> e serão usadas buchas expansivas de aço inoxidável M12x60 mm.

Estes equipamentos têm um sistema de encaixe na parede com platinas. A seguir, são descritos os passos para fixar o equipamento corretamente. Deve-se considerar o peso do equipamento.

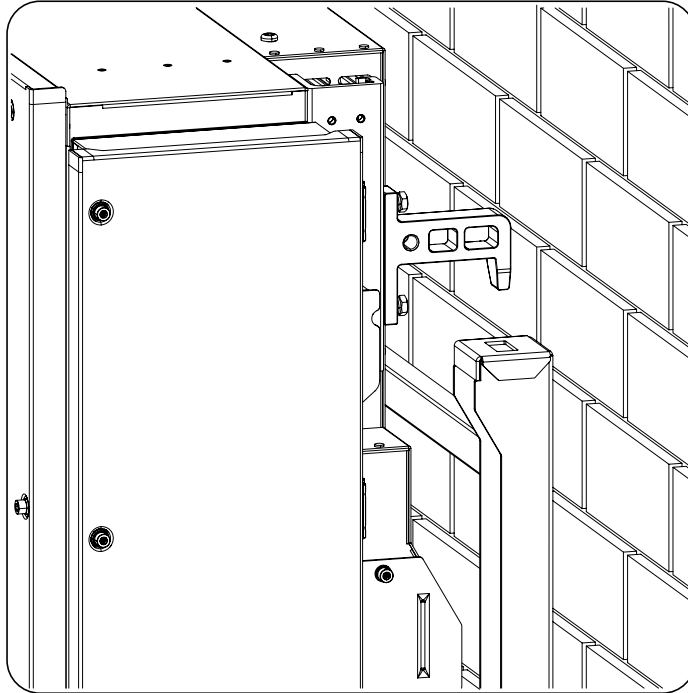
A platina de conexão superior dos equipamentos suporta o peso. Os pontos inferiores fixam o inversor à parede e evitam vibrações.

1. Coloque a platina na parede, com a ajuda de um nível para garantir a horizontalidade e marcar os orifícios.
2. Faça os furos com uma broca adequada na parede e nos elementos de fixação que serão utilizados posteriormente para fixar o inversor. Os orifícios da platina e do inversor têm um diâmetro de 14 mm.

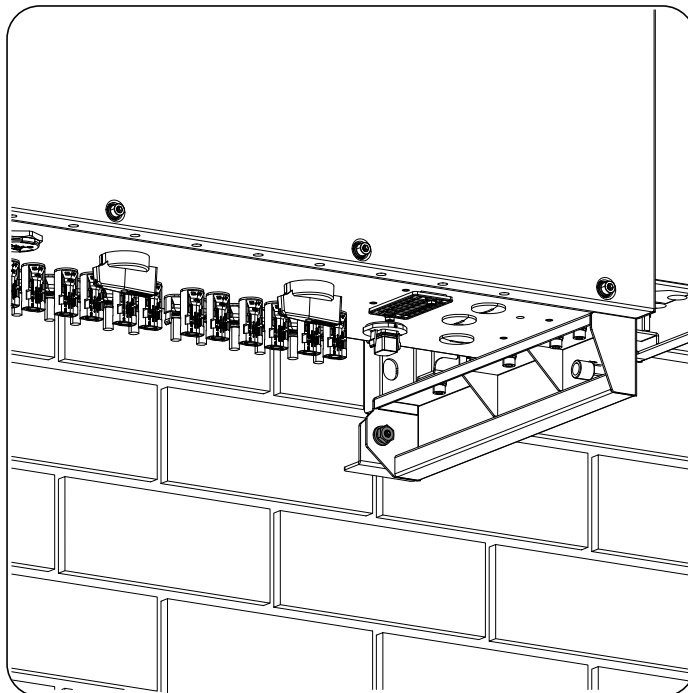
3. Fixe a platina através de elementos de fixação adequados para a parede ou estrutura na qual ela vai ser instalada, tendo em conta as medidas indicadas a seguir.



4. Pendure o equipamento da platina.



5. Aparafuse os dois parafusos M8 inferiores, aplicando um torque de 12 Nm.



6. Verifique se o equipamento ficou bem seguro.

Assim que o equipamento estiver instalado corretamente, o processo de conexão do mesmo será iniciado.

Estabeleça as conexões na ordem seguinte:

1. Conexão da proteção externa de terra.
2. Conexão de comunicações.
3. Conexão de AC.

## 4. Conexão de DC.

**⚠ ATENÇÃO**

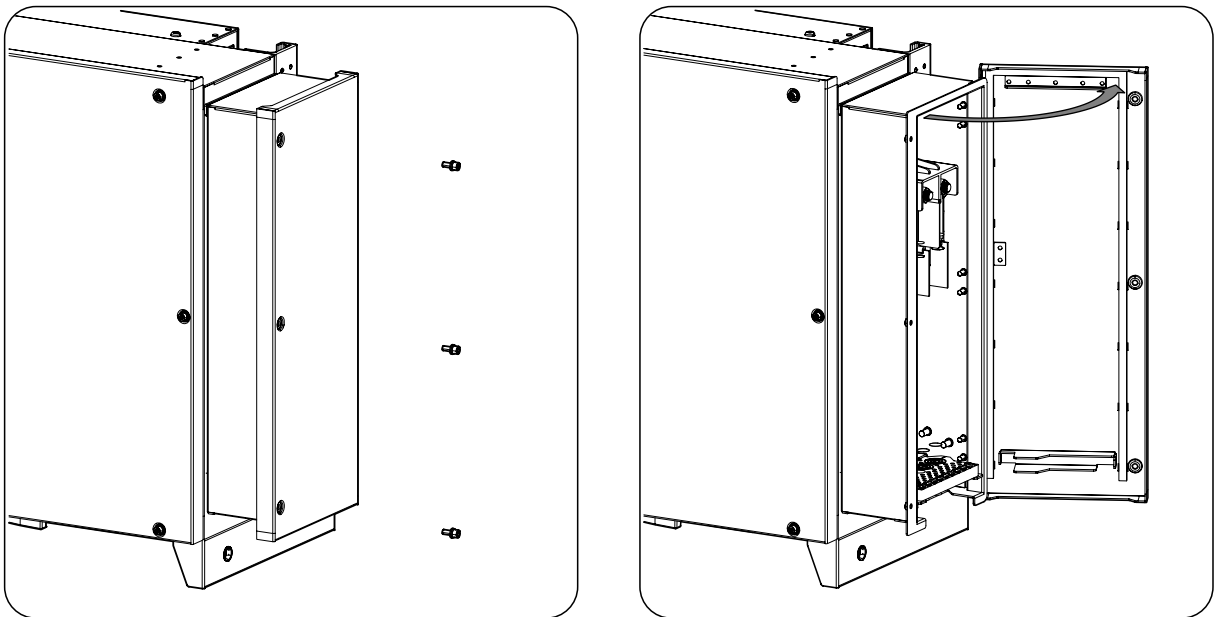
É obrigatório seguir a ordem descrita anteriormente. Não forneça tensão até que todas as conexões tenham sido feitas.

### 6.3. Abertura e fechamento do invólucro

**⚠ ATENÇÃO**

Não se deve abrir o espaço principal em condições normais de uso.

Para acessar o espaço AC, retire os parafusos M6 e abra a tampa tal como indicado a seguir.



Depois de realizar as diversas conexões explicadas nas seguintes seções, deve-se fechar o equipamento antes de colocá-lo em funcionamento. Para realizar o fechamento do invólucro, deve-se apertar os parafusos indicados anteriormente, aplicando um torque de 4 Nm.

Verifique o fechamento correto do equipamento antes de colocá-lo em funcionamento.

## 7. Conexão da proteção externa de terra

Ao longo deste capítulo, são explicados os requisitos e o processo para conectar a fiação de terra no equipamento. Leia atentamente antes de iniciar o processo de conexão.

### **i** INFO

Consulte a seção *“Condições de segurança importantes”* e as seguintes indicações antes de usar o equipamento.

### 7.1. Indicações de segurança para a conexão da rede da proteção externa de terra

#### **⚠** PERIGO

Assegure-se de que não exista tensão no equipamento e que a conexão DC não tenha sido realizada antes de iniciar a conexão de terra.

**Não fornecer tensão** ao equipamento até ter concluído as conexões com sucesso.

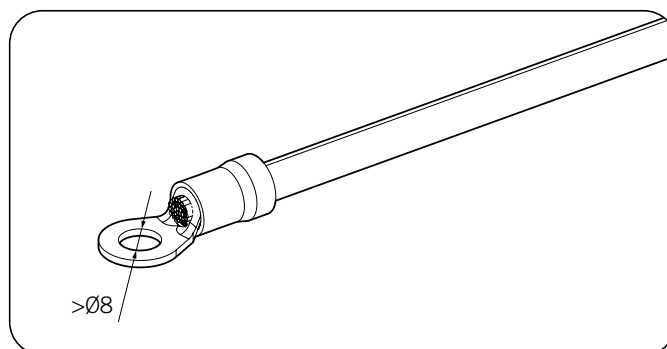
Use os Equipamentos de proteção individual especificados na seção *“Equipamento de proteção individual (EPI)”*.

#### **⚠** ATENÇÃO

A Ingeteam não se responsabiliza pelos danos decorrentes de uma ligação incorreta.

### 7.2. Requisitos da fiação para a conexão da rede da proteção externa de terra

	110TL M9
Seção da fiação	70 ~ 240 mm <sup>2</sup>
Material da fiação	Cobre
Tipo de terminal	Redondo ou de anel
Abertura rosçada no inversor	M8
Torque	7 Nm



O dimensionamento da fiação de terra é da responsabilidade do instalador e deve respeitar as normas aplicáveis na instalação.



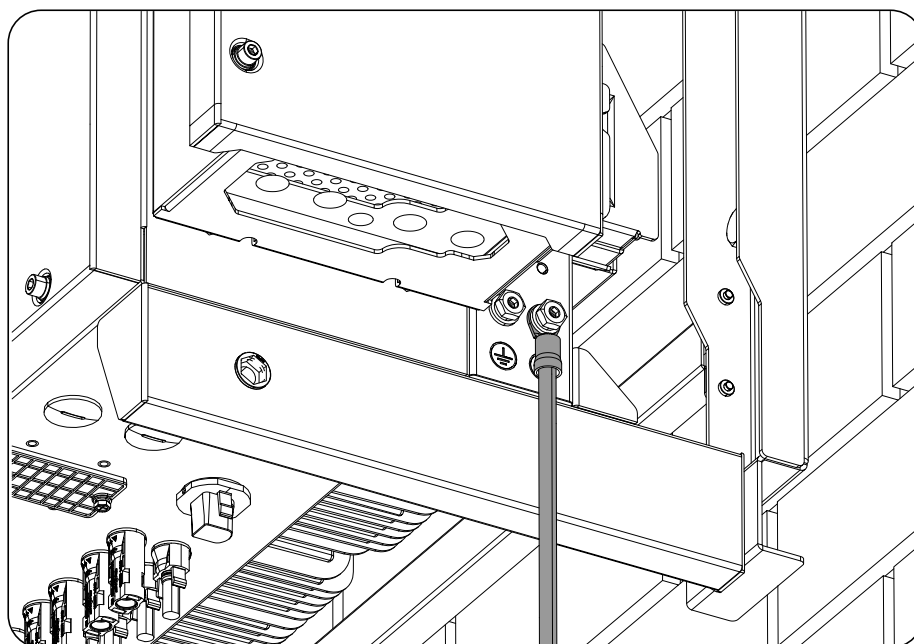
## 7.3. Processo de conexão da proteção externa de terra

### **ATENÇÃO**

Conectar a proteção externa à terra não implica que a conexão de PE na parte AC não seja obrigatória. É necessário que ambas estejam bem conectadas e ligadas à terra.

A Ingeteam não se responsabiliza pelas consequências derivadas do incumprimento dessa indicação.

Conecte o terminal com o parafuso e a anilha fornecidos na abertura roscada destinada para esse fim.



## 8. Conexão de comunicações

Ao longo deste capítulo, é explicado o processo para conectar as comunicações no inversor.

Leia atentamente antes de iniciar o processo de conexão.

### 8.1. Indicações de segurança para a conexão de comunicações

#### ⚠ PERIGO

Assegure a ausência de tensão no equipamento antes de iniciar a conexão.

**Não fornecer tensão** ao equipamento até ter concluído as conexões com sucesso.

Use os Equipamentos de proteção individual especificados na seção *“Equipamento de proteção individual (EPI)”*.

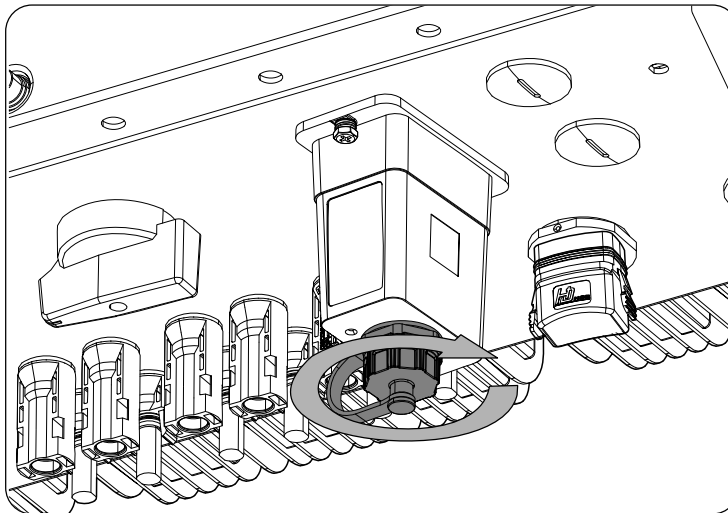
#### ⚠ ATENÇÃO

A Ingeteam não se responsabiliza pelos danos decorrentes de uma ligação incorreta.

Depois de conectado o dongle de comunicações, e caso o conector Ethernet não seja usado, é necessário fechar a tampa roscada do conector.

Além disso, as tampas dos restantes conectores de comunicações deverão permanecer instaladas.

A Ingeteam não se responsabiliza pelas consequências derivadas do incumprimento destas diretrizes.



*Tampa roscada para o conector Ethernet*

### 8.2. Conexão da comunicação por Ethernet

É possível comunicar um inversor por Ethernet.

#### 8.2.1. Requisitos da fiação

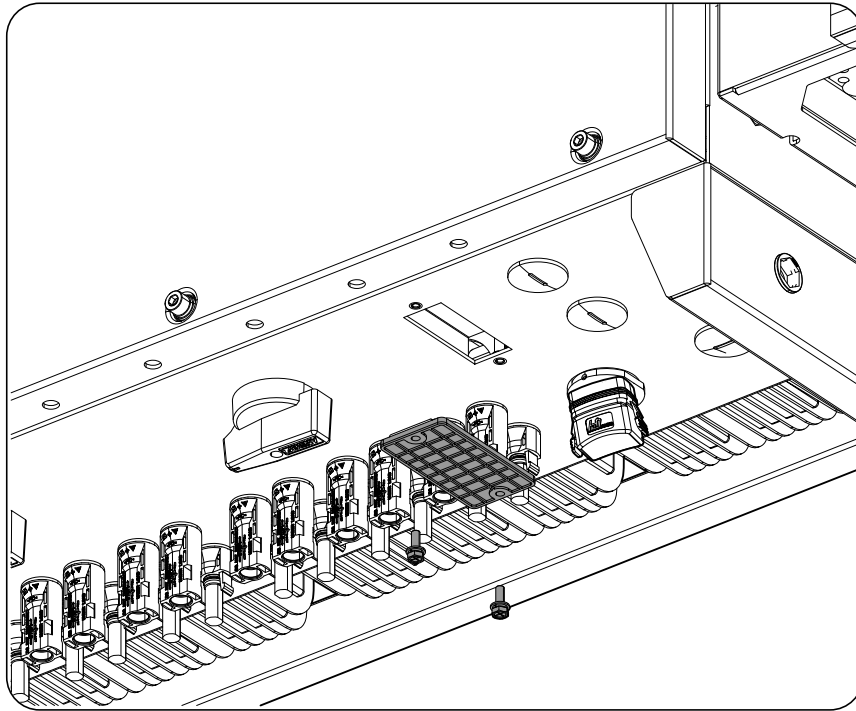
Para a comunicação Ethernet, utilize um cabo de 4 a 6 mm de diâmetro.

#### 8.2.2. Processo de conexão

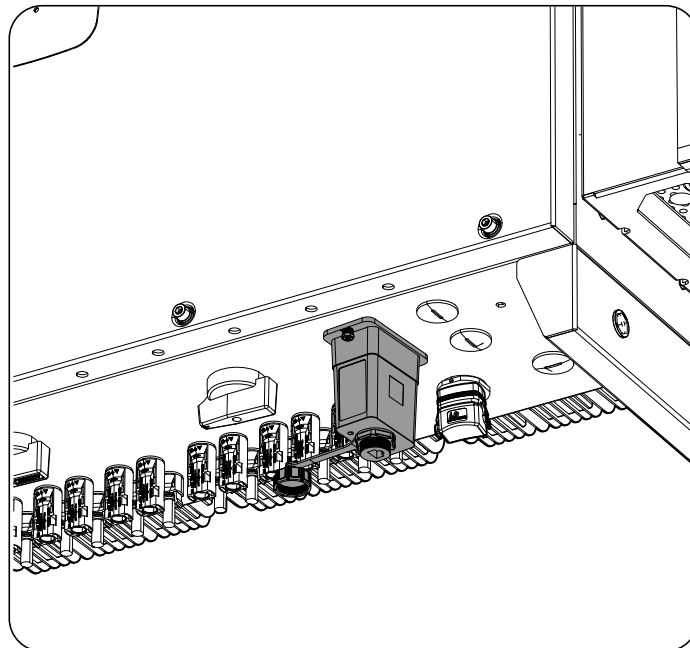
##### **i** INFO

O dongle de comunicações foi concebido para poder conectar o cabo de Ethernet mantendo o grau de IP do inversor.

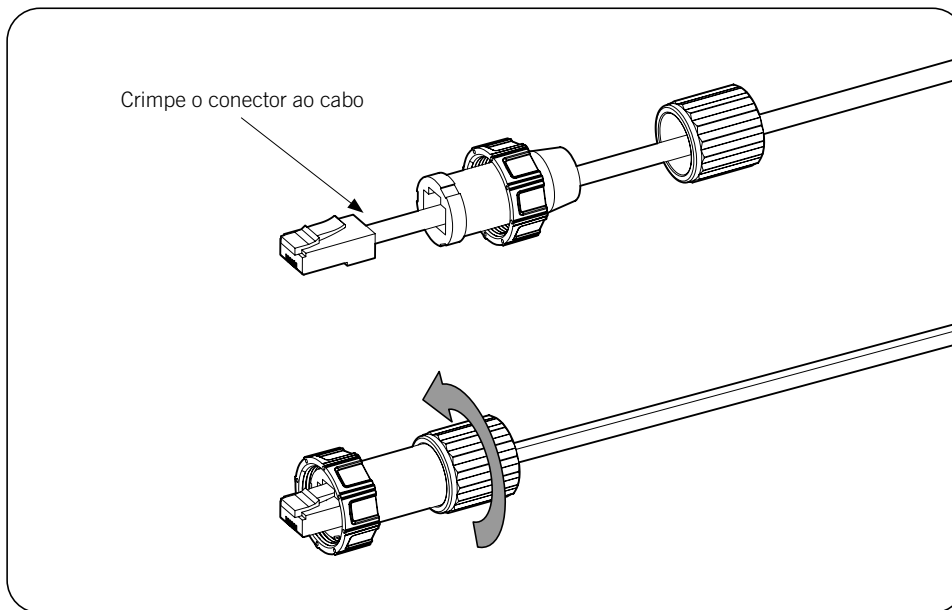
1. Retire a tampa de proteção de *COM1*.



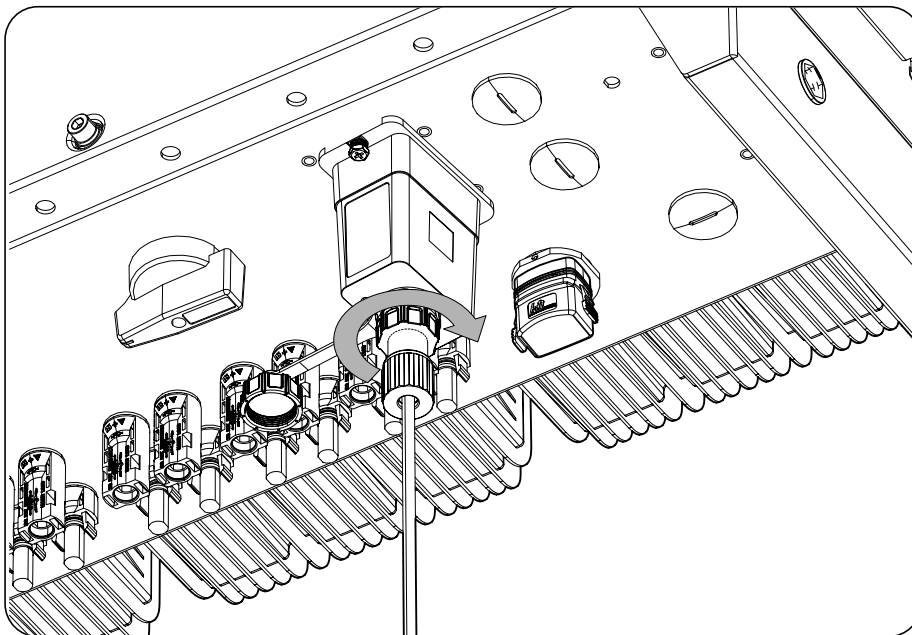
2. Conecte o dongle de comunicações Ethernet/Wi-Fi, fixando com dois parafusos (torque de 0,8 Nm).



3. Para assegurar o grau de proteção, é necessário usar o conector fornecido em conjunto com o inversor.



4. Conecte a fiação de Ethernet.



### 8.3. Conexão por Wi-Fi

#### ⚠ ATENÇÃO

Caso use a conexão Wi-Fi e não use a conexão de Ethernet, a tomada de conexão Ethernet deverá permanecer fechada com a tampa fornecida para assegurar o grau de proteção.

Consulte a seção [“12.3. Conectar o inversor com uma rede Wi-Fi”](#).

### 8.4. Conexão da comunicação da porta COM4

A comunicação por RS-485 está configurada por padrão para ser um Modbus escravo com uma ID de 01. É possível alterar este endereço.

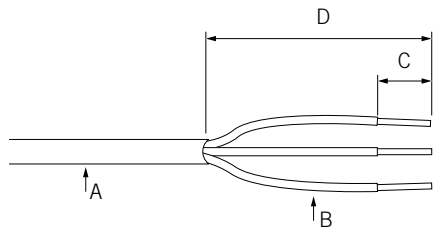
Para que a comunicação seja feita com um wattímetro, o modelo do wattímetro a ser conectado deve ser configurado. Consulte o documento ACL2010IMB03 - Lista de medidores de potência aprovados para o Ingecon Sun 110TL M9.

**ATENÇÃO**

Caso não use uma conexão por RS-485, a tampa de COM4 deverá permanecer instalada.

### 8.4.1. Requisitos da fiação

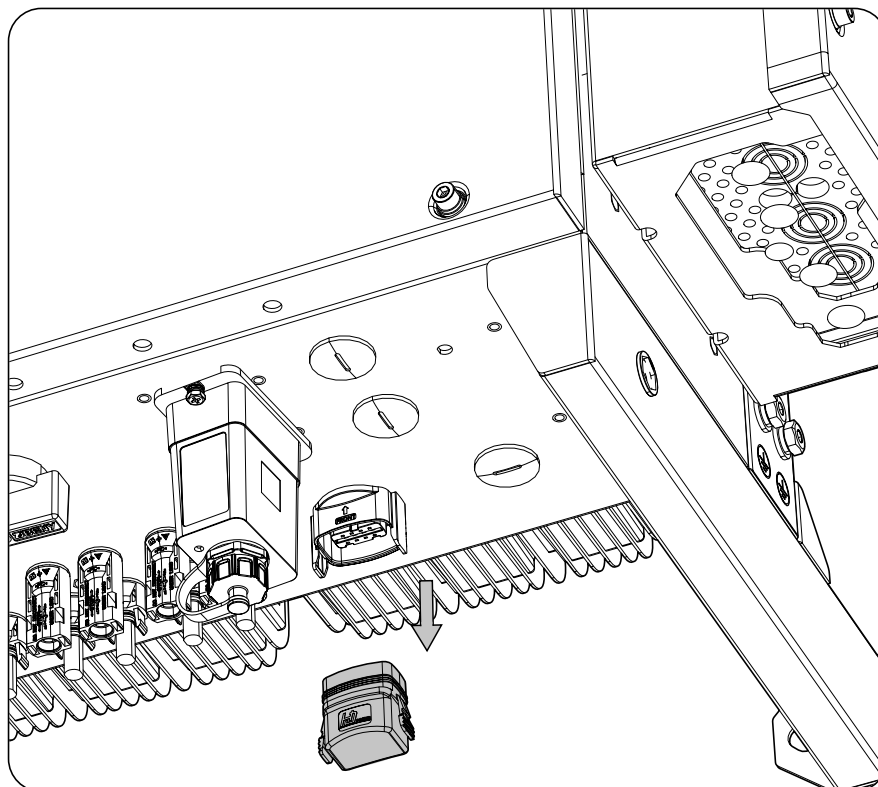
As características da fiação para a conexão RS-485 são especificadas na seguinte tabela:



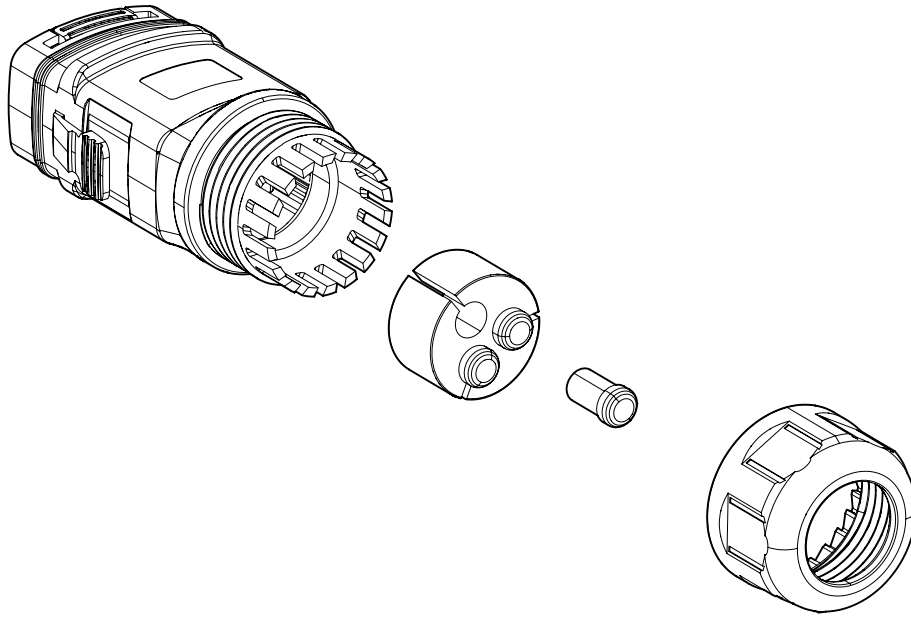
A	B	C	D
Diâmetro	Seção	Comprimento	Comprimento
12 ~ 14 mm	0,50 mm <sup>2</sup> ~ 0,75 mm <sup>2</sup>	7 ~ 8 mm	31 ~ 35 mm

### 8.4.2. Processo de conexão

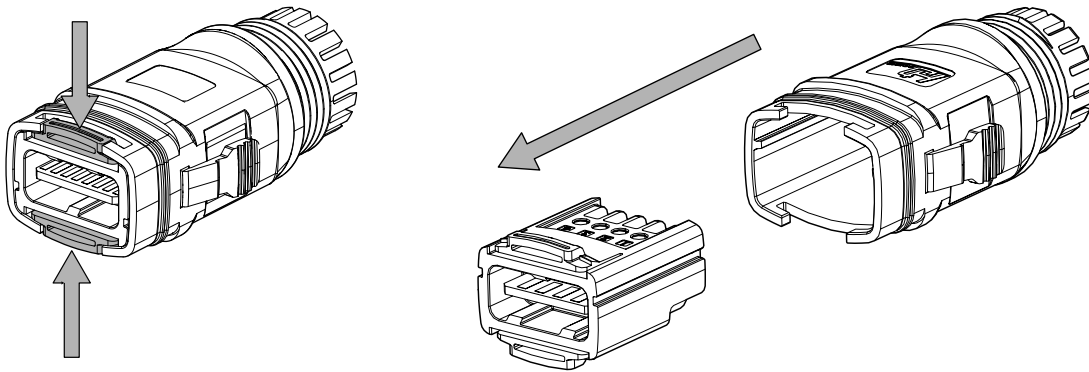
1. Retire a tampa de proteção do conector COM4 do inversor.



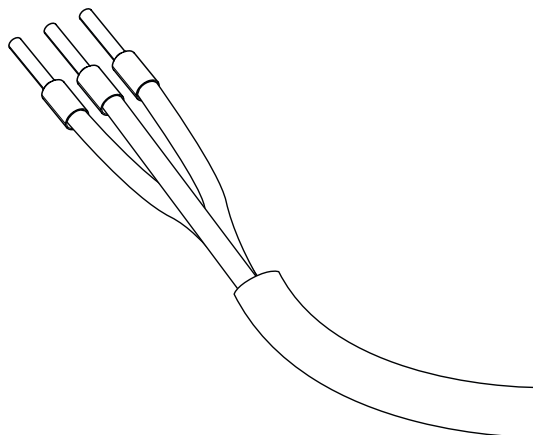
2. Solte a rosca traseira do conector aéreo e retire um dos tampões do elástico de aperto.



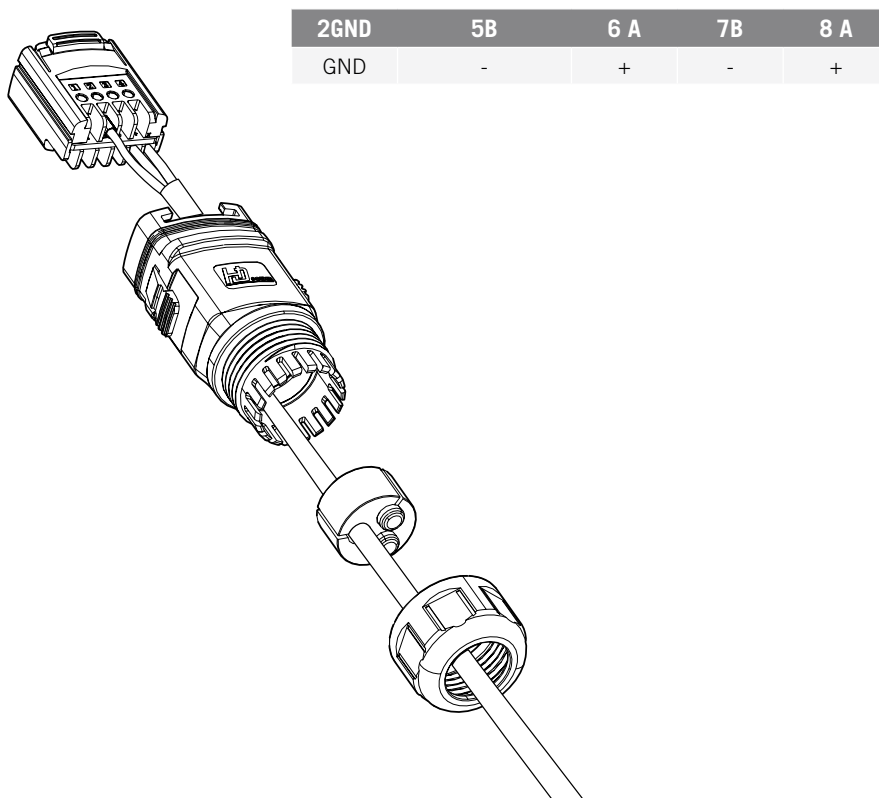
3. Retire a armação do conector aéreo para acessar a zona dos conectores.



4. Crimpe os 3 cabos

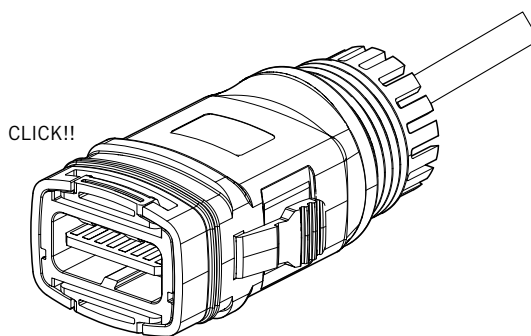


5. Conecte os pinos 2, 5 e 6 na zona de conexões do conector aéreo. Aplique um torque de 1,2 Nm.

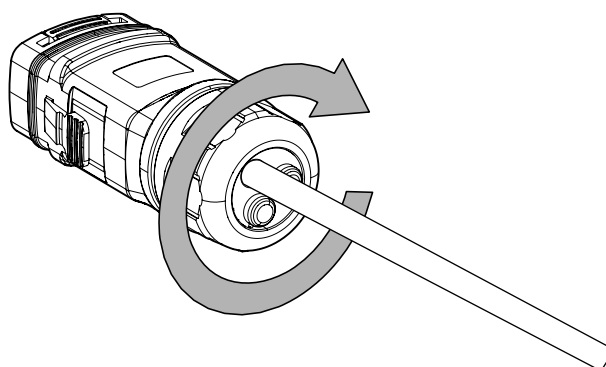


O conector possui dois pinos positivos, negativos da comunicação RS-485 duplicados para poder continuar para outro nó, se necessário. Caso exista apenas uma comunicação, use apenas os pinos 2, 5 e 6.

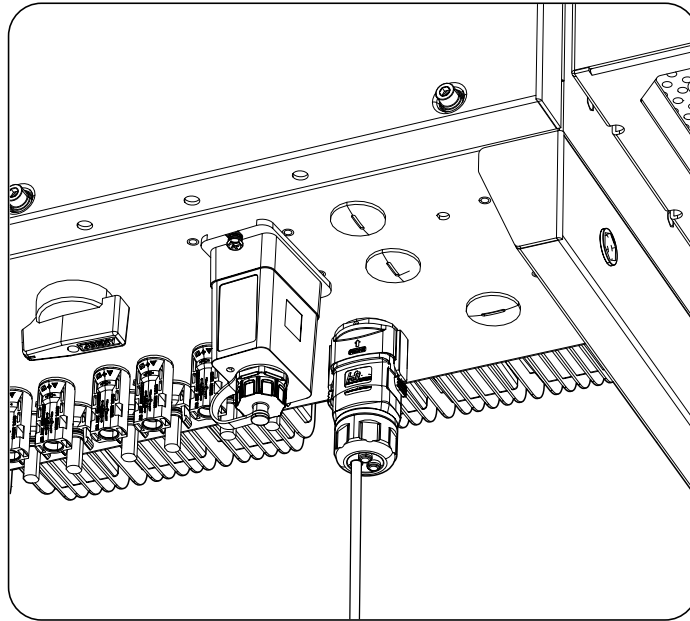
- Volte a montar a armação do conector. Quando estiver bem inserida, você ouvirá um clique.



- Aperte a porca traseira do conector.



8. Conecte o aéreo no conector COM4 do inversor.





## 9. Conexão de AC

Ao longo deste capítulo, são explicados os requisitos e o processo para conectar a fiação de AC no equipamento. Leia atentamente antes de iniciar o processo de conexão.

### INFO

Consulte a seção *“Condições de segurança importantes”* e as seguintes indicações antes de usar o equipamento.

Para obter mais informações sobre a conexão do inversor dentro da instalação, consulte a seção *“2.6. Esquema elétrico do sistema”*.

### 9.1. Indicações de segurança para a conexão de AC

#### PERIGO

Assegure-se de que não existe tensão no equipamento e que a conexão DC não foi realizada antes de iniciar a conexão AC.

**Não fornecer tensão** ao equipamento até ter concluído as conexões com sucesso.

Use os Equipamentos de proteção individual especificados na seção *“Equipamento de proteção individual (EPI)”*.

Respeite a polaridade da fiação AC.

#### ATENÇÃO

A Ingeteam não se responsabiliza pelos danos decorrentes de uma ligação incorreta.

As comunicações deste inversor também são alimentadas desde a parte AC.

### 9.2. Requisitos da fiação para a conexão de AC

Para garantir a segurança das pessoas, o correto funcionamento do equipamento e o cumprimento da regulamentação aplicável, o equipamento tem que ser ligado à terra da instalação.

Se o inversor e o ponto de conexão com a rede estiverem separados por uma distância que exija o uso de cabos com seção maior, recomenda-se o uso de uma caixa de distribuição externa, próxima do inversor, para realizar esta alteração de seção.

A conexão AC deve ser realizada através de cabos monopolares. São aplicados cinco cabos no total: três fases, neutro (opcional) e terra. O material do condutor pode ser cobre ou alumínio.

Requisitos de fiação para a conexão de AC				
Fiação	Tipo	Material	Seção	Diâmetro
Monopolar	5 cabos monopolares (L1, L2, L3, PE, N <sup>(1)</sup> )	Cobre	70 mm <sup>2</sup> ~ 240 mm <sup>2</sup> S <sub>PE</sub> ≥ S <sub>L</sub> /2 <sup>(2)</sup>	14 mm ~ 32 mm
		Alumínio	95 mm <sup>2</sup> ~ 240 mm <sup>2</sup> S <sub>PE</sub> ≥ S <sub>L</sub> /2 <sup>(2)</sup>	

<sup>(1)</sup> Opcional, o inversor pode funcionar sem a conexão do neutro. <sup>(2)</sup> S<sub>L</sub>: seção cabo de fase. S<sub>PE</sub>: seção cabo PE

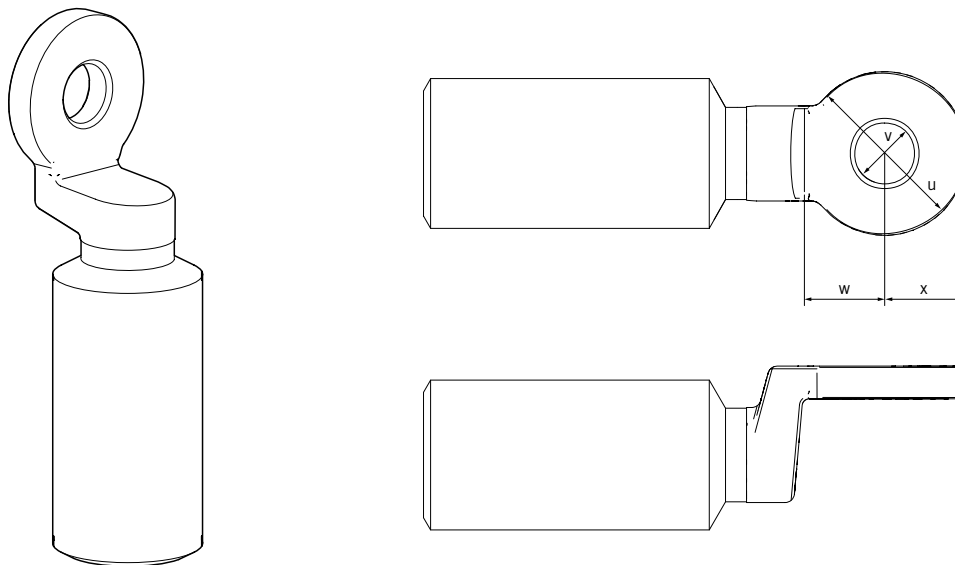
#### ATENÇÃO

No caso de utilizar cabos de alumínio, o instalador deverá disponibilizar os meios para evitar o efeito do binário galvânico (terminais bipolares, interfaces bimetálicas, etc.)

O dimensionamento da fiação de terra é da responsabilidade do instalador e deve respeitar as normas aplicáveis na instalação.

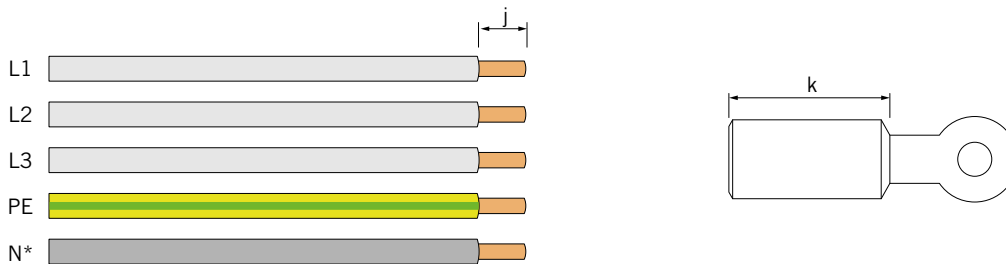
### 9.3. Requisitos dos terminais para a conexão de AC

Para garantir uma conexão correta, é necessário que os terminais para M12 cumpram os seguintes requisitos formais.



$$u \leq 39 \text{ mm} \quad w \leq 22 \text{ mm}$$

$$13 \leq v \leq 15,5 \text{ mm} \quad x \geq 13 \text{ mm}$$

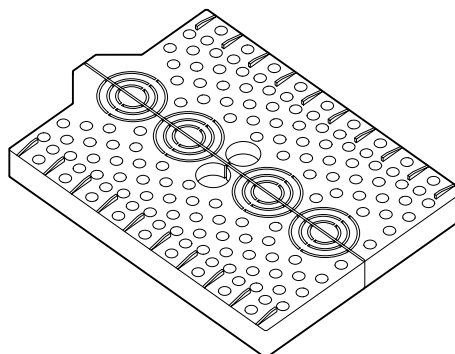


$$j = k + 2 \text{ mm}$$

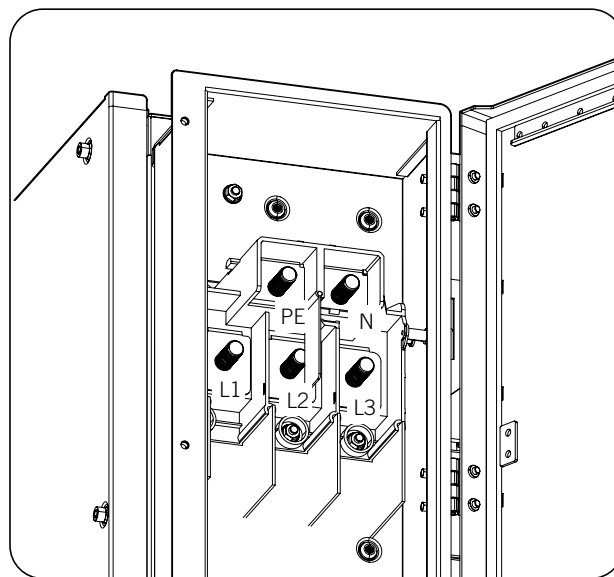
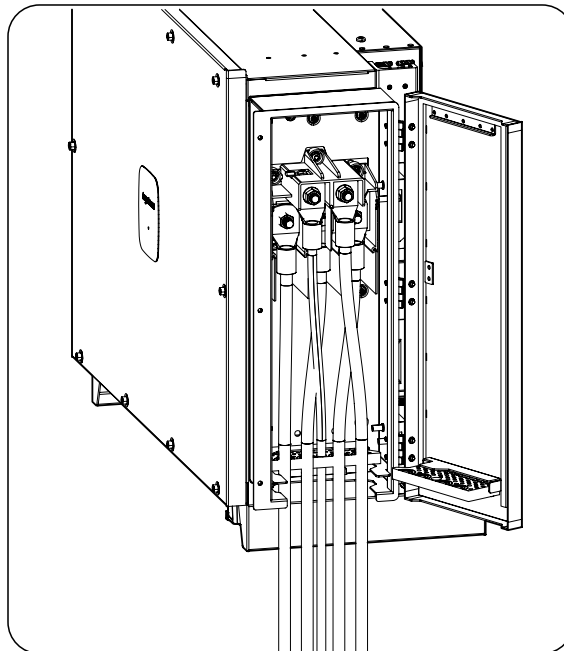
### 9.4. Processo de conexão de AC

**i** INFO

O equipamento dispõe de diferentes sistemas de passagem de cabos para facilitar a instalação para qualquer seção escolhida pelo instalador.



1. Acesse o espaço AC da lateral do inversor.
2. Estabeleça a conexão respeitando as polaridades para as três fases, neutro e terra nos bornes assinalados como L1, L2, L3, N e PE. O torque de aperto a aplicar nos bornes é de 25 Nm.



**ATENÇÃO**

Caso você conecte o equipamento a uma rede TN-C, conecte as três fases nos bornes L1, L2, L3 e o cabo PEN no borne PE. A partir do terminal PE, conecte um cabo com uma seção superior a 12 mm<sup>2</sup> até o terminal N para dispor de captação do neutro.

3. Feche a tampa do espaço AC, verificando se a membrana inferior está bem instalada.

## 10. Conexão de DC

Ao longo deste capítulo, são explicados os requisitos e o processo para conectar a fiação de DC no equipamento. Leia atentamente antes de iniciar o processo de conexão.

### INFO

Consulte a seção *“Condições de segurança importantes”* e as seguintes indicações antes de usar o equipamento.

### 10.1. Indicações de segurança para a conexão de DC

#### PERIGO

Assegure a ausência de tensão no equipamento antes de iniciar a conexão.

**Não fornecer tensão** ao equipamento até ter concluído as conexões com sucesso.

Use os Equipamentos de proteção individual especificados na seção *“Equipamento de proteção individual (EPI)”*.

Quando o campo fotovoltaico estiver exposto à luz solar, o inversor dispõe de tensão DC.

#### ATENÇÃO

A Ingeteam não se responsabiliza pelos danos decorrentes de uma ligação incorreta.

### 10.2. Requisitos da fiação para a conexão de DC

#### ATENÇÃO

O tipo de fiação aplicada para a conexão deve ser medido em conformidade com a norma em vigor do país no qual a instalação deverá ser realizada e de acordo com o tipo de instalação, corrente e tensão máximas do campo fotovoltaico.

Os strings que estiverem conectados aos conectores do equipamento devem ser eletricamente independentes entre eles. Ou seja, não devem ser strings com uma corrente superior à permitida que se separam em vários conectores, uma vez que a distribuição da corrente não é garantida.

	Agrupações de strings								
	1-2	3-4	5-6	7-8	9-10	11-12	13-14	15-16	17-18
Diâmetro fiação	5 ~ 8 mm								
Corrente máxima por agrupação de strings	40 Adc	40 Adc	40 Adc	32 Adc	32 Adc	32 Adc	32 Adc	32 Adc	32 Adc

O inversor inclui conectores fotovoltaicos aéreos necessários para a conexão entre cada string e o equipamento.

### 10.3. Processo de conexão de DC

#### Montagem de conectores aéreos

#### PERIGO

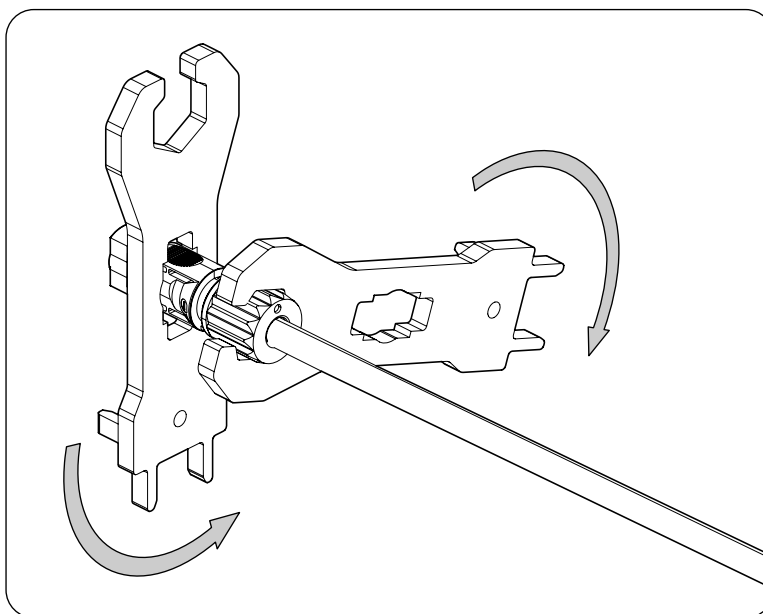
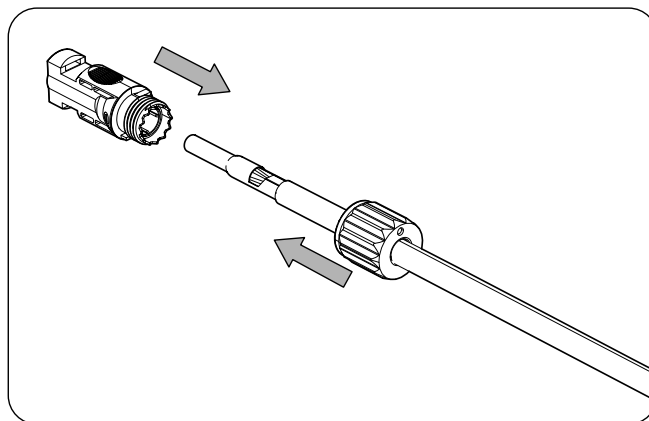
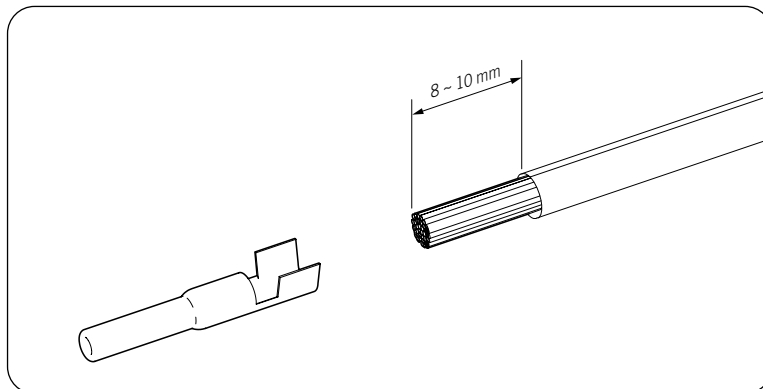
É imprescindível verificar a polaridade dos strings e montar corretamente os seus conectores aéreos para assegurar que a conexão com o equipamento é realizada com a polaridade correta. A Ingeteam não se responsabiliza pelas consequências decorrentes de uma conexão incorreta.

### Conexão através de conectores rápidos

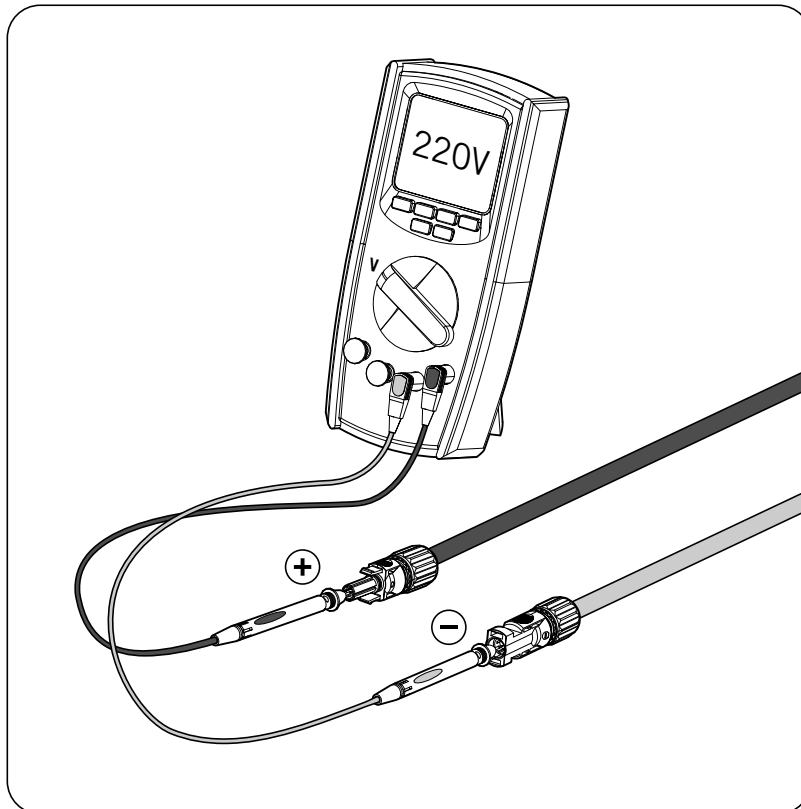
Para garantir o correto funcionamento do seccionador, respeite sempre a numeração no momento de conectar os strings. Ou seja, o string nº 1 deverá ser conectado aos conectores PV1+ e PV1-. Deve-se proceder da mesma forma com os restantes strings a conectar.

Com o seccionador em Off e o equipamento totalmente fechado:

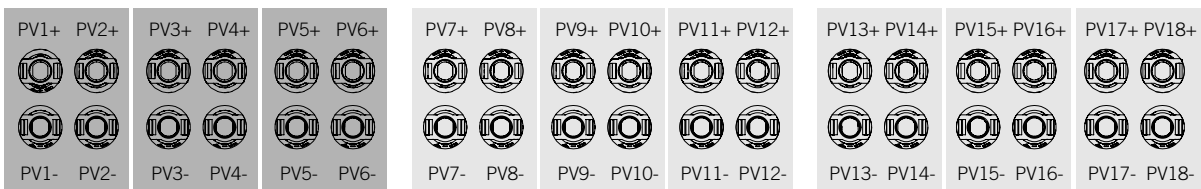
1. Retirar os tampões dos conectores onde vão ser conectados os strings.
2. Instale os conectores aéreos nos cabos.



3. Verifique a polaridade dos strings.



4. Conecte os strings a cada uma das entradas, respeitando as polaridades indicadas na placa inferior de conexões do equipamento. Deve-se também ter em conta a numeração de cada entrada, respeitando-a nos polos positivo e negativo.



■ Corrente máxima por agrupação de strings: 40 Adc

■ Corrente máxima por agrupação de strings: 32 Adc

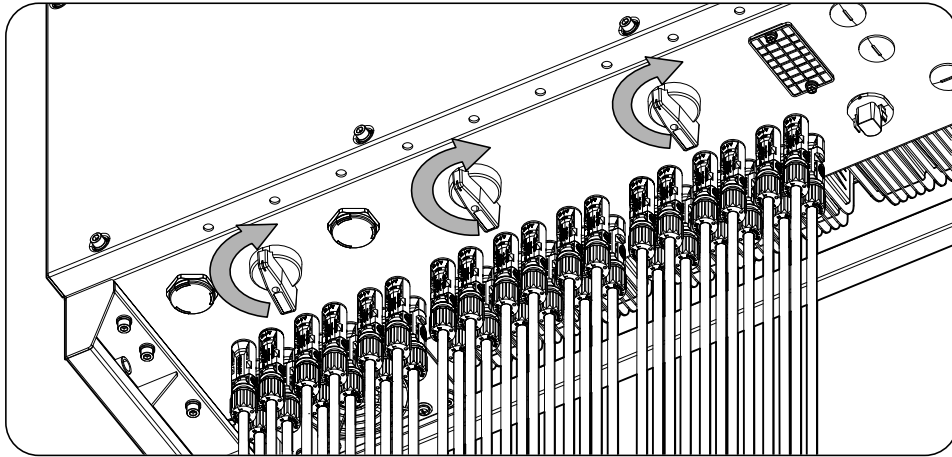
**PERIGO**

Se a fiação for conectada inversamente e o seccionador DC estiver ativado, não opere o interruptor e os conectores imediatamente. Caso contrário, o equipamento pode ficar danificado.

É necessário esperar até a noite, quando a radiação solar diminui, para poder operá-los. Coloque o seccionador DC em OFF, remova os conectores e reconecte respeitando a polaridade.

Após verificar se todos os strings estão corretamente conectados, garanta a firmeza das conexões.

5. Coloque os seccionadores DC na posição On.



6. Caso a conexão não seja correta, a tensão AC seja insuficiente ou não exista tensão AC, o LED do painel de controle do equipamento ficará intermitente em vermelho.

## 11. Primeira conexão com a rede

Ao longo deste capítulo, é descrito o processo a seguir para a realização da primeira conexão com a rede do inversor.

Este inversor, por estar alimentado a partir da parte AC, continua a ter as comunicações ativas. Desta forma, por exemplo, é possível continuar a monitorar uma instalação de autoconsumo com ausência de energia DC.

### 11.1. Revisão do equipamento

É necessário verificar se o estado da instalação está correto antes da colocação em funcionamento.

Cada instalação varia de acordo com as suas características, o país onde se encontra ou outras condições especiais aplicáveis. Em qualquer caso, antes de colocar o equipamento em funcionamento, deve ser assegurada que a instalação cumpra a legislação e regulamentações aplicáveis e que esteja concluída (pelo menos a parte que será colocada em funcionamento).

#### 11.1.1. Inspeção

Antes da primeira conexão com a rede do inversor, é necessário realizar uma revisão geral que consista, sobretudo, no seguinte:

##### Revisão da fiação

- Verifique se os cabos estão corretamente unidos aos seus conectores.
- Verifique se esses cabos estão em bom estado e se no respectivo ambiente não existem perigos que possam deteriorá-los, como fontes de calor intenso, objetos que possam originar o seu corte ou disposições que os submetam ao risco de impactos ou esticões.
- Verifique as polaridades dos cabos de DC e AC.

##### Revisão da fixação do equipamento

Verifique se o equipamento está bem fixado e se não corre perigo de cair.

#### 11.1.2. Fechamento hermético do equipamento

Nas operações de instalação, certifique-se de que as operações de conexão do equipamento não alteraram o grau de estanqueidade do equipamento.

Verifique se o ajuste dos conectores e o fechamento dos elementos passa-cabos estão corretos.

## 11.2. Conexão e configuração inicial

### INFO

Para controlar o inversor através de um smartphone ou tablet, é necessário instalar o aplicativo INGECON SUN Monitor, disponível na Apple Store e Play Store.



<https://apps.apple.com/br/app/ingecon-sun-monitor/id1434881715>

<https://play.google.com/store/apps/details?id=com.ingeteam.ingecon.sunmonitor>


Graças à interface do usuário na Web, o inversor é configurado de forma simples e rápida através de um computador ou smartphone.

O inversor atua como um ponto de acesso Wi-Fi por padrão, gerando uma rede SoftAP com um SSID do tipo *Ingeteam\_1MMxxxxxAxx\_MMMM*. Por padrão, esta rede está protegida pela senha *ingeconsun*.

Siga as indicações para estabelecer uma conexão local com o inversor e configurá-lo:



**Conexão com um smartphone ou tablet**

1. Instale o aplicativo INGECON SUN Monitor.
2. Registre-se como instalador autorizado e acesse o ícone  para se conectar localmente ao inversor.
3. Siga os passos indicados para acessar o aplicativo Web do equipamento.

**Conexão com o computador**

1. Conectar-se à rede Wi-Fi gerada pelo inversor.
2. No navegador Web, acesse o endereço <http://169.254.1.1>. É necessário se registrar como instalador autorizado.

Por ser a primeira conexão, um assistente nos indica os passos a seguir para realizar uma configuração ideal do equipamento.

## 11.3. Conexão à rede elétrica

Assim que o equipamento estiver configurado, feche o interruptor magnetotérmico AC externo ao equipamento para fornecer tensão AC.

A partir deste momento, o equipamento deverá estar pronto para ser conectado à corrente elétrica. Caso o equipamento não seja conectado, verifique se existe algum alarme ou parada manual.

## 12. Utilização do equipamento

A gestão do funcionamento do inversor é realizada através do aplicativo Web.

### 12.1. Gestão do inversor através do aplicativo Web

É possível acessar o aplicativo de controle a partir diversos tipos de dispositivo (smartphone, tablet ou computador). A gestão do inversor a partir do aplicativo de controle pode ser realizada localmente (inversor e dispositivo conectados na mesma rede de comunicação) ou remotamente (inversor e dispositivo conectados a redes de comunicação diferentes).

Nas seções seguintes é descrito o processo para estabelecer conexão com o inversor de forma local ou remota.

A configuração de fábrica das comunicações dispõe de:

- Interface de Ethernet em modo DHCP.
- Interface Wi-Fi apenas em modo Access Point.

### 12.2. Conectar localmente com o inversor através da sua rede Wi-Fi


#### INFO

A rede de comunicação Wi-Fi gerada pelo inversor é uma rede com uma frequência sem fio de 2.4 GHz.

O inversor tem uma etiqueta colada na qual são indicados o SSID e senha da rede Wi-Fi (*Default local Wi-Fi access point*).

O inversor atua como um ponto de acesso Wi-Fi, gerando uma rede SoftAP. Para realizar uma conexão local a esta rede, realize os seguintes passos:

#### Conexão com um smartphone ou tablet

1. Instale o aplicativo INGECON SUN Monitor.
2. Registre-se como instalador autorizado e acesse o ícone  para se conectar localmente ao inversor.
3. Siga os passos indicados para acessar o aplicativo Web do equipamento.

#### Conexão com o computador

1. Conectar-se à rede Wi-Fi gerada pelo inversor.
2. No navegador Web, acesse o endereço <http://169.254.1.1>. É necessário se registrar como instalador autorizado.
3. Acesse através do usuário e senha definidos na etiqueta colada no inversor (*Default local access login*).

### 12.3. Conectar o inversor com uma rede Wi-Fi

#### INFO

A rede de comunicação Wi-Fi a que pretende conectar o inversor deve ser uma rede com uma frequência sem fio de 2.4 GHz.

A Ingeteam estabelece que o nível mínimo de sinal Wi-Fi recebido pelo inversor tem que ser superior a 50 % (-75 dBm) para garantir uma conectividade ótima.

Caso se deseje conectar o inversor a uma rede Wi-Fi existente, realize os seguintes passos:

1. Conexão local ao inversor (consulte “5.4. Proteção da conexão com a rede elétrica”).
2. Acesse o menu Comms na parte superior.
3. No painel esquerdo, selecione Wi-Fi.

4. Pressione *CONNECT to Wi-Fi Network*. Em seguida, é demonstrada uma lista de redes Wi-Fi disponíveis. Selecione a rede desejada e insira a senha caso seja necessário.

**i INFO**

Caso o nome de identificação SSID de uma rede Wi-Fi não possa ser mostrado ao usuário, insira o nome da rede no campo *Custom SSID*.

## 12.4. Conectar remotamente com o inversor

Para conectar remotamente com o inversor, é necessário que ele esteja conectado com a Internet através de uma rede Wi-Fi ou através de Ethernet. Quando estiver conectado à Internet, realize os seguintes passos:

1. Entrar no INGECON SUN Monitor.
2. Crie uma unidade com o *Device ID* e a *Password* do inversor. Ambos os dados estão impressos no autocolante presente no inversor.
3. Acessar a unidade para ver o monitoramento da instalação. Além disso, é possível acessar o aplicativo Web do equipamento.

**i INFO**

Ter em conta os seguintes requisitos:

- O inversor deve estar conectado a uma rede local, com saída de Internet nas portas UDP80 (ou UDP1194) e TCP8883.
- O dispositivo a partir do qual se realiza a conexão remota deve ter uma saída de Internet nas portas TCP80, TCP22 e TCP9001.

Os roteadores têm, por defeito, as portas necessárias para a comunicação remota sempre abertas. Caso contrário, solicite ao administrador da rede a abertura dessas portas.

Verifique se a porta de conexão e a máscara de rede estão corretas, caso contrário o inversor não terá acesso à Internet. O inversor trabalha por DHCP, por defeito, não sendo necessária a configuração desses parâmetros em uma rede com servidor DHCP.

Caso você deseje configurar o inversor com um IP fixo, consulte as propriedades de configuração da rede a partir de um computador ou outro dispositivo que se encontre na mesma rede ou solicite ao administrador de rede.

## 12.5. Alterar a configuração IP de uma rede Wi-Fi

Por predefinição, em uma rede Wi-Fi existente, o inversor obtém seu endereço IP de forma dinâmica (DHCP). No caso de se conectar a uma rede sem servidor DHCP, ou caso deseje configurar o inversor com um endereço IP fixo, siga os seguintes passos:

1. Acesse o aplicativo Web a partir do navegador do dispositivo.
2. Entre no menu superior *Comms*.
3. No painel esquerdo, selecione *Wi-Fi*.
4. Pressione a opção *Change* dentro do campo *Primary*.
5. No seletor *IP Mode*, selecione a opção *Fixed* ou *DHCP*.
6. Se você selecionou *Fixed*, complete os dados a configurar (*IP address*, *IP mask* e *IP gateway*).

**i INFO**

Para confirmar que a porta de conexão e a máscara de rede são corretas, acesse as propriedades de configuração da rede em um dispositivo que se encontre na mesma rede ou solicite-a ao administrador de rede.

7. Finalize pressionando *Send*.

Será apresentada uma janela com os dados da nova configuração de endereço IP.

## 12.6. Alterar a configuração IP de uma rede Ethernet

Por predefinição, em uma conexão a uma rede Ethernet, o inversor obtém seu endereço IP de forma dinâmica (DHCP). No caso de se conectar a uma rede sem servidor DHCP, ou caso deseje configurar o inversor com um endereço IP fixo, siga os seguintes passos:

1. Acesse o aplicativo Web a partir do navegador do dispositivo.
2. Entre no menu superior *Comms*.
3. No painel esquerdo, selecione *Ethernet*.
4. Pressione a opção *Change* dentro do campo *Primary*.
5. No seletor *IP Mode*, selecione a opção *Fixed* ou *DHCP*.
6. Se você selecionou *Fixed*, complete os dados a configurar (*IP address*, *IP mask* e *IP gateway*).

### INFO

Para confirmar que a porta de conexão e a máscara de rede são corretas, acesse as propriedades de configuração da rede em um dispositivo que se encontre na mesma rede ou solicite-a ao administrador de rede.

7. Finalize pressionando *Send*.

Será apresentada uma janela com os dados da nova configuração de endereço IP.

## 12.7. Registrar o inversor no INGECON SUN Monitor

O INGECON SUN Monitor é um aplicativo para o monitoramento de instalações fotovoltaicas. Também está disponível em aplicativo Web.

Para registrar o inversor no INGECON SUN Monitor, ele dispõe de uma etiqueta colada na qual são indicados o *Device ID* e a senha (*Register at* [www.ingeconsunmonitor.com](http://www.ingeconsunmonitor.com)).

### INFO

O registro do inversor deve ser realizado através do aplicativo Web em [www.ingeconsunmonitor.com](http://www.ingeconsunmonitor.com).

## 12.8. Atualizar o firmware do inversor

### INFO

Para realizar este processo, é necessário que o inversor esteja conectado à Internet através de uma rede Wi-Fi ou através de Ethernet.

1. Acesse o aplicativo Web a partir do navegador do dispositivo (consulte “[12.4. Conectar remotamente com o inversor](#)”).
2. Entre no menu *Update*. Caso existam atualizações disponíveis, isso será indicado.
3. Instalar a atualização.

Também é possível realizar esta operação através do botão disponível no aplicativo de controle.

## 13. Estados e alarmes do inversor

Estes inversores dispõem de uma iluminação LED no painel frontal, bem como de um LED no dongle de comunicações. Essas iluminações indicam o estado do inversor e das comunicações e a possível existência de alarmes.

### 13.1. Estados do inversor (iluminação no painel frontal)

Cor do LED	Tipo iluminação LED	Estado
Verde	Pisca	Estado de tentativa de conexão ou reconexão com a rede elétrica (standby)
	Aceso	Inversor conectado à rede elétrica
Azul	Aceso	Funcionando com potência limitada
Vermelho	Pisca	Inversor desconectado da rede por incidência ativa
	Aceso	Inversor desconectado da rede por parada manual
Branco	Pisca	Inversor alimentado unicamente a partir de AC

### 13.2. Estados das comunicações do inversor (iluminação no dongle de comunicações)

Cor do LED	Tipo iluminação LED	Estado
Azul	Pisca	Inversor tentando estabelecer comunicação
	Aceso	Inversor com comunicação ativa
	Apagado	Inversor sem comunicação

### 13.3. Alarmes

#### **i** INFO

Consulte o guia ACL0000IMC01 no qual se encontram descritos os alarmes e a resolução de problemas que podem ocorrer na instalação e funcionamento. Para baixar o guia, acesse a página Web de INGECON SUN Training ([www.ingeconsuntraining.info/?page\\_id=36472](http://www.ingeconsuntraining.info/?page_id=36472)).

## 14. Desligamento do equipamento

Para desligar o inversor, realize os seguintes passos:

1. Passe para o modo de parada no aplicativo de controle.
2. Retirar tensão AC a partir de um meio de desconexão externo ao equipamento.
3. Retire tensão DC a partir de um meio de desconexão externo ao equipamento ou através do seccionador do equipamento, sempre que as barreiras de proteção que protegem a ligação DC não sejam desmontadas.
4. Caso seja necessário retirar essas proteções (para, por exemplo, manusear a ligação DC), deve-se retirar tensão DC desconectando todos os conectores rápidos.
5. Aguarde 5 minutos até que as capacidades internas existentes se descarreguem e que os elementos internos e externos esfriem. Além disso, deve-se aguardar até que os ventiladores tenham parado.

## 15. Manutenção

Os trabalhos recomendados de manutenção devem ser realizados com uma periodicidade mínima anual, salvo nos casos em que se indique o contrário.

### 15.1. Condições de segurança

#### PERIGO

Todas as verificações de manutenção aqui descritas devem ser feitas com o conjunto da máquina parado, em condições seguras de manipulação, incluindo as condições especificadas pelo cliente para este tipo de operações.

Assegure a ausência de tensão no equipamento antes de iniciar as tarefas de manutenção.

Durante a conexão do inversor, deve-se garantir que a instalação dos cabos nos blocos terminais do equipamento esteja correta, de forma que não existam partes acessíveis na tensão desta fiação.

Para realizar os trabalhos de manutenção no equipamento, os Equipamentos de Proteção Individual especificados na seção “*Equipamento de proteção individual (EPI)*” do presente documento deverão ser usados.

#### ATENÇÃO

As condições detalhadas a seguir devem ser consideradas obrigatórias.

A Ingeteam não se responsabiliza pelos danos que possam decorrer do uso inadequado dos equipamentos. Qualquer intervenção realizada em um destes equipamentos que pressuponha uma alteração nas disposições elétricas relativamente às disposições originais deve ser comunicada previamente à Ingeteam. Essas intervenções devem ser estudadas e autorizadas pela Ingeteam.

### 15.2. Estado do invólucro

É necessário realizar uma verificação periódica do estado do invólucro, verificando o estado dos fechamentos e tampas, bem como o encaixe dos equipamentos às respectivas conexões na parede. Da mesma forma, é necessário verificar se o invólucro está em bom estado e se não contém golpes ou riscos que possam degradá-lo ou fazê-lo perder seu índice de proteção. Se algum desses defeitos for detectado, deve-se reparar ou substituir as partes afetadas.

Verifique se os componentes do invólucro estão conectados corretamente aos respectivos encaixes.

### 15.3. Estado dos cabos e dos terminais

É necessário realizar uma inspeção anual do estado dos cabos e dos terminais:

- Verifique se o encaminhamento dos cabos está correto, de modo que não estejam em contato com as partes ativas.
- Verifique se existem deficiências nos isolamentos e nos pontos quentes, verificando a cor do isolamento e dos terminais.
- Verifique se as conexões dispõem do torque de aperto adequado.

## 16. Tratamento de resíduos

Estes equipamentos utilizam componentes nocivos para o meio ambiente (placas eletrônicas, baterias ou pilhas, etc.).



Uma vez terminada a vida útil do equipamento, ele deve ser entregue para um agente autorizado de resíduos perigosos, para o seu processamento correto.







***Ingeteam***

***Ingeteam***