

## **MV SOLUTION UP TO 8.4 MVA. A MEDIUM VOLTAGE STATION FOR DESCENTRALIZED SOLAR PV INVERTERS**

MV station designed to connect and hold Ingeteam's three-phase string inverters working as an interface with the grid.

### **String inverter optimization**

The String Station has been conceived to enable and optimize the use of Ingeteam's INGECON® SUN 330-350TL M12 inverter, ensuring a perfect connection between the PV plant and the grid. This turnkey solution is capable of connecting up to 8.4 MW of 1,500 V 3Play inverters to a medium voltage grid.

### **Available worldwide**

The INGECON® SUN String Station can be marketed and installed everywhere in the world, as it is supplied totally integrated and it is easily transportable as a Plug & Play solution.

### **Equipped with everything necessary**

It is supplied with the low-voltage string-inverter protections, auxiliary services, LV / MV transformer and medium-voltage switchgear.

### **Maximum cost-effectiveness**

The INGECON® SUN String Station is a standard solution designed to maximize the compactness and cost-effectiveness of the overall equipment. All the elements are prepared to withstand adverse weather conditions. Moreover, they are supplied pre-connected and preintegrated into a skid in order to guarantee a Plug & Play installation.

## A medium voltage String Station for decentralized solar PV inverters which allows flexibility and scalability

### Main features

- Output power up to 8.4 MW.
- Compatible with INGECON® SUN 330-350TL M12 inverter.
- Available up to 33 kV output voltage.
- Available with outdoor LV / MV transformer.
- IP54 MV Switchgear.
- Plug & Play solution.

### AC Combiner Box

- Scalable system thanks to its modular design.
- Circuit breaker protection per each AC Combiner Box.
- 1500 V DC fuses.
- Forced air ventilation.

### Standard MV equipment

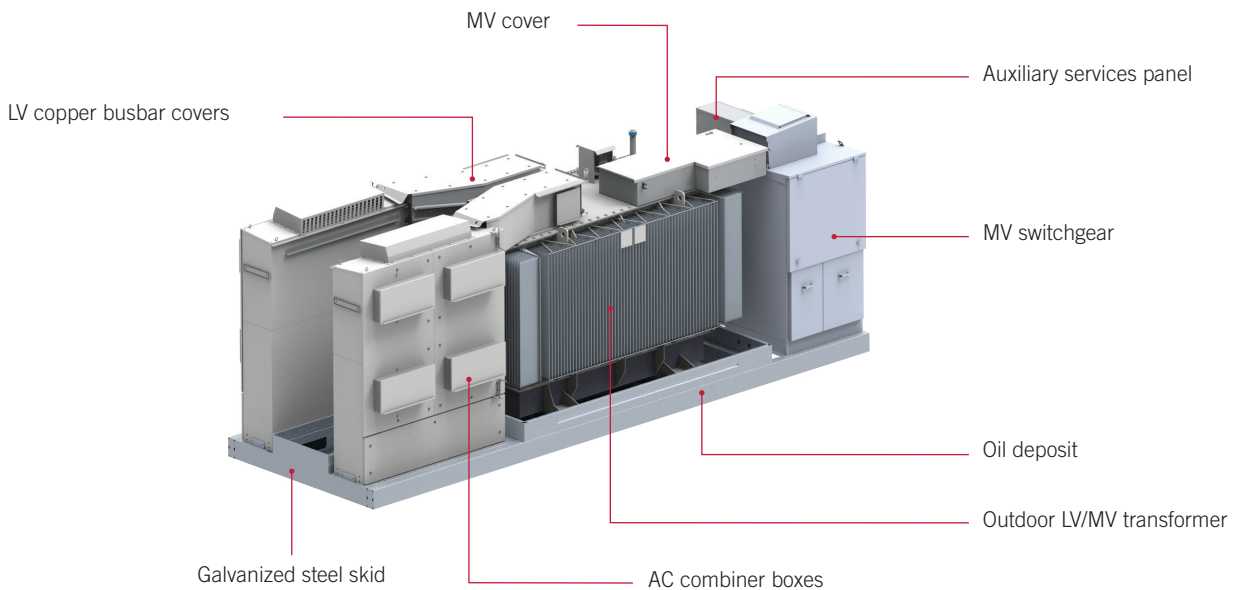
- LV / MV transformer with reduced power losses.
- LC MV switchgear.
- Protection relay included in the transformer.
- MV protection with circuit breaker.
- Oil deposit integrated in the skid.
- Filtering kit in the oil deposit.

### Benefits

- Maximum reliability, higher safety.
- Reduced maintenance.
- Flexibility and scalability.
- Greater power density.



INGECON® SUN 330-350TL M12



SST 4620

SST 4900

SST 7900

SST 8400

**AC COMBINER BOX**

| Inverter model       | INGECON SUN 330TL M12 | INGECON SUN 350TL M12 | INGECON SUN 330TL M12 | INGECON SUN 350TL M12 |
|----------------------|-----------------------|-----------------------|-----------------------|-----------------------|
| Numer of inverters   | 14                    | 14                    | 24                    | 24                    |
| Maximum output power | 4,620 kVA             | 4,900 kVA             | 7,900 kVA             | 8,400 kVA             |
| AC output current    | 3,332 A               | 3,500 A               | 5,712 A               | 6,000 A               |
| AC voltage           | 800 V                 |                       |                       |                       |

**LV / MV TRANSFORMER**

|                   |  |
|-------------------|--|
| Type              | Oil-immersed hermetically sealed transformer |
| Medium voltage    | Up to 33 kV                                  |
| Cooling system    | ONAN   |
| Max. efficiency   | 99%  |
| Protection degree | IP54   |

**MV SWITCHGEAR**

|                   |  |
|-------------------|--|
| Type              | RLC (bus riser, line incoming with disconnecting switch, transformer protection) |
| Medium voltage    | Up to 33 kV (class 36 kV)  |
| Rated current     | 630 A  |
| Protection degree | IP54   |

**GENERAL DATA**

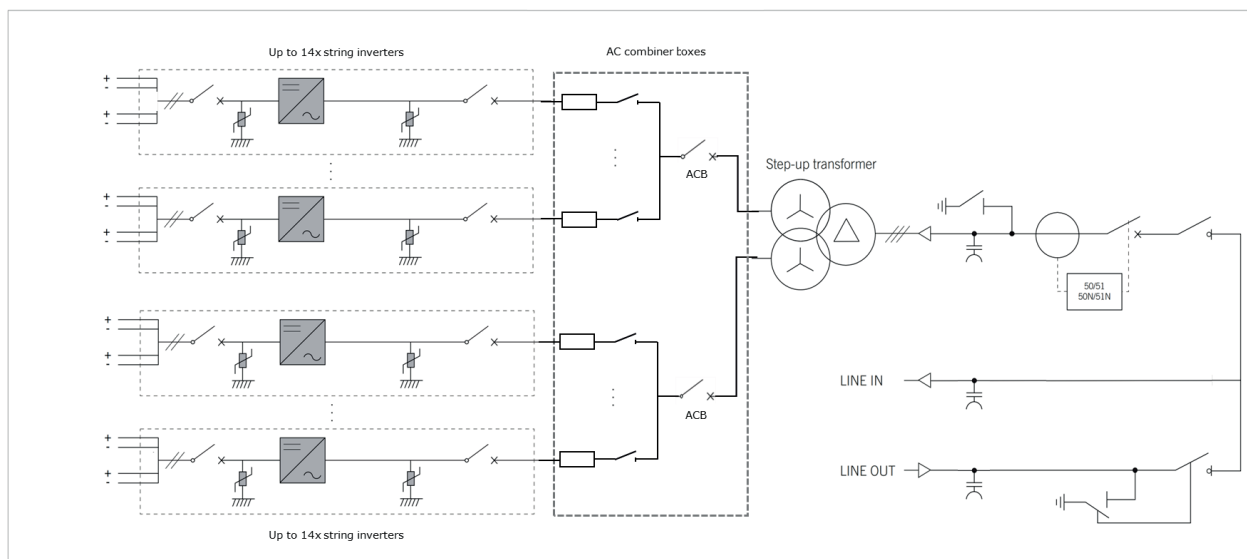
|                                    |  |
|------------------------------------|--|
| Operating temperature range        | From -20°C to +50°C  |
| Relative humidity (non-condensing) | 0-100%   |
| Maximum altitude                   | 4,000 masl<br>(for instalations beyond 1,000 masl, please contact Ingeteam's Sales Department) |

**EQUIPMENT**

|                  |                            |
|------------------|----------------------------|
| Inverter version | INGECON® SUN 330-350TL M12 |
|------------------|----------------------------|

**MECHANICAL INFORMATION**

|                             |                          |
|-----------------------------|--------------------------|
| Structure type              | Hot dip galvanized skid  |
| Body dimensions (W x D x H) | 7,000 x 2,100 x 2,560 mm |
| Weight                      | 25 ton                   |
| Standards                   | IEC 60076, IEC 62271-200 |



Specifications included in this datasheet could change without notice. Please contact Ingeteam's sales department in case of any queries.

INGECON SUN STRING STATION\_REV\_A

## EUROPE

**Ingeteam Power Technology, S.A.**  
Avda. Ciudad de la Innovación, 13  
31621 Sarriguren (Navarra) - Spain  
Tel.: +34 948 288 000  
Fax: +34 948 288 001  
e-mail: [evc.energy@ingeteam.com](mailto:evc.energy@ingeteam.com)

**Ingeteam S.r.l.**  
Via Emilia Ponente, 232  
48014 Castel Bolognese (RA) - Italy  
Tel.: +39 0546 651 490  
Fax: +39 054 665 5391  
e-mail: [emobility.italia@ingeteam.com](mailto:emobility.italia@ingeteam.com)

**Ingeteam SAS**  
140 Rue Carmin - Le Naurouze B  
31670 Labège - France  
Tel.: +33 (0)5 61 25 00 00  
Fax: +33 (0)5 61 25 00 11  
e-mail: [france@ingeteam.com](mailto:france@ingeteam.com)

**Ingeteam, a.s.**  
Technologická 371/1  
70800 Ostrava - Pustkovec  
Czech Republic  
Tel.: +420 59 747 6800  
Fax: +420 59 732 6899  
e-mail: [czech@ingeteam.com](mailto:czech@ingeteam.com)

**Ingeteam GmbH**  
Grand Bateau – Zollhof 6  
D-40221 – Düsseldorf, Germany  
Tel.: +49 (0) 211 78177950  
e-mail: [deutschland@ingeteam.com](mailto:deutschland@ingeteam.com)

**Ingeteam Poland Spzoo**  
Ul. Koszykowa 60/62 m 39  
00-673, Warsaw, Poland  
Tel.: (+48) 22 821 99 30  
e-mail: [polska@ingeteam.com](mailto:polska@ingeteam.com)

## Ingeteam LTD.

Unit 10 Gordano 19, Garanor Way, Portbury  
Bristol, BS20 TXE - United Kingdom  
Tel.: +44 (0) 331 630 0305

## NORTH AMERICA

**Ingeteam Inc.**  
3550 W. Canal St.  
Milwaukee, WI 53208 - USA  
Tel.: +1 (414) 934 4100 / +1 (855) 821 7190  
Fax: +1 (414) 342 0736  
e-mail: [usa@ingeteam.com](mailto:usa@ingeteam.com)

**Ingeteam Power Technology México S de RL de CV**  
Av. Ejército Nacional Mexicano 351,  
Chapultepec Morales, Granada,  
Miguel Hidalgo,  
CP: 11520  
Ciudad de México, CDMX  
Tel.: (+52) 55 6586 9930  
e-mail: [proveedores.iptm@ingeteam.com](mailto:proveedores.iptm@ingeteam.com)

## SOUTH AMERICA

**Ingeteam Ltda.**  
Rua Estácio de Sá, 560  
Santa Genebra  
Campinas - SP  
CEP: 13080-010; São Paulo - Brazil  
Tel.: (+55) 19 30 37 37 73  
e-mail: [brazil@ingeteam.com](mailto:brazil@ingeteam.com)

**Ingeteam Chile SpA**  
Balmoral n.º 309, Piso 10º, Oficina 1008,  
7561282 Las Condes  
Santiago, Chile  
Tel.: (+56) 229 253 825  
e-mail: [chile@ingeteam.com](mailto:chile@ingeteam.com)

## ASIA

**Ingeteam Power Technology Shanghai, Co. Ltd.**  
Room 2606-F, No.360 South Pudong Road  
China (Shanghai) pilot free trade zone  
C.P 200120  
Tel.: +86 139 1622 4886  
e-mail: [liu.yimin@ingeteam.com](mailto:liu.yimin@ingeteam.com)

**Ingeteam India Pvt. Ltd.**  
Survey No. 111/1-111/3 & 111/5-111/7,  
Village No.155, Mambakkam Village,  
Chennai - Bangalore Main Road,  
Sriperumbudur Taluk,  
Kancheepuram District - 602106,  
Tamilnadu, India

**Ingeteam Power Technology S.A. UAE Branch**  
Al Bateen tower c6 Bainunah 1st floor  
Street 34  
Abu Dhabi - UAE  
Tel.: +971 2 207 6666

**Ingeteam Power Technology S.A.**  
Thailand representative office  
100/67 Vongvanij B Building, 22nd floor,  
Rama IX Road., HuayKwang,  
10320 Bangkok  
Te.: +66 22461798  
e-mail: [Thailand.pga@ingeteam.com](mailto:Thailand.pga@ingeteam.com)

## AUSTRALIA

**Ingeteam Australia Pty Ltd.**  
Iaccelerate Centre, Building 239  
Innovation Campus, Squires Way  
North Wollongong, NSW 2500 - Australia  
Tel.: +61 429 111 190  
e-mail: [australia@ingeteam.com](mailto:australia@ingeteam.com)

# Ingeteam

[www.ingeteam.com](http://www.ingeteam.com)